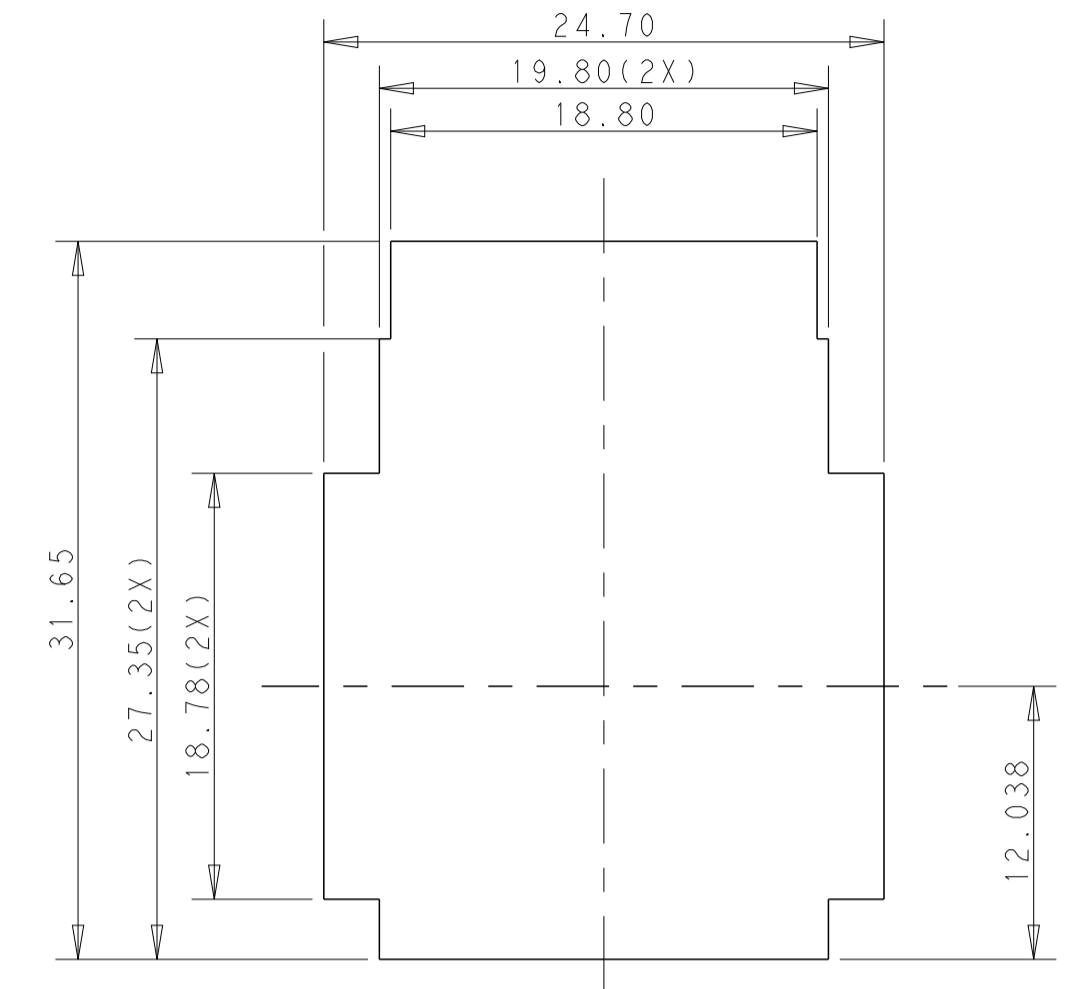
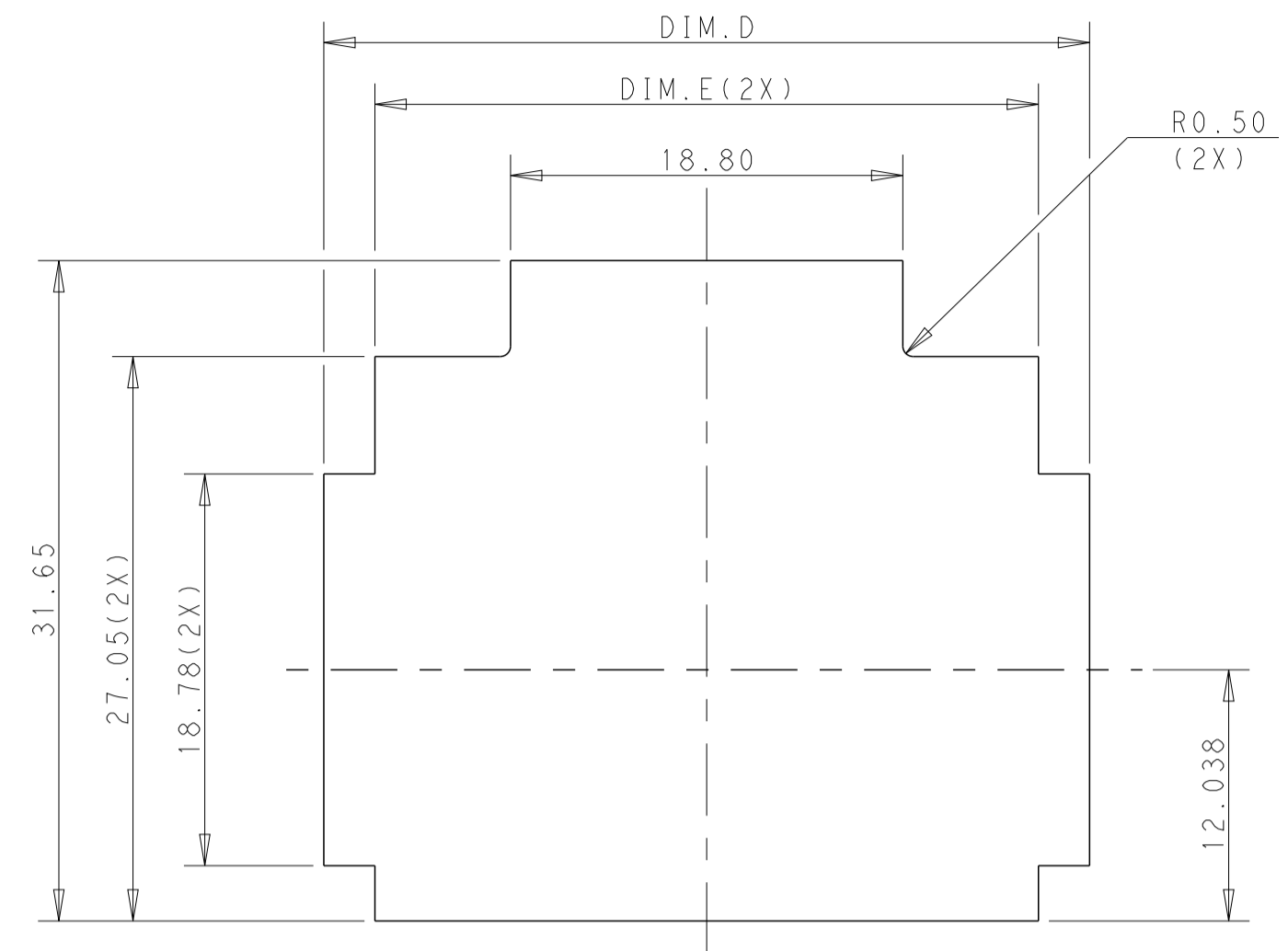
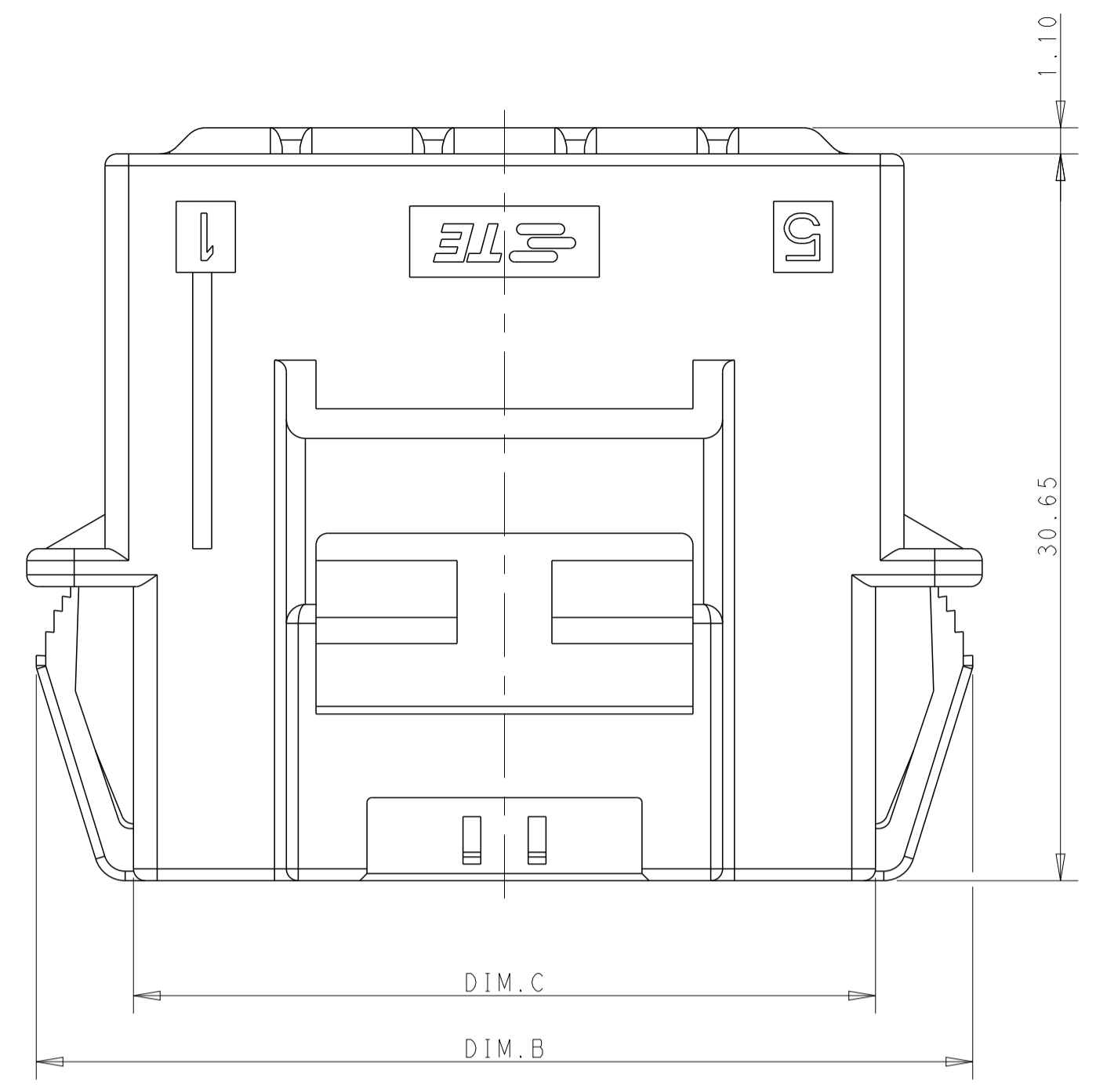
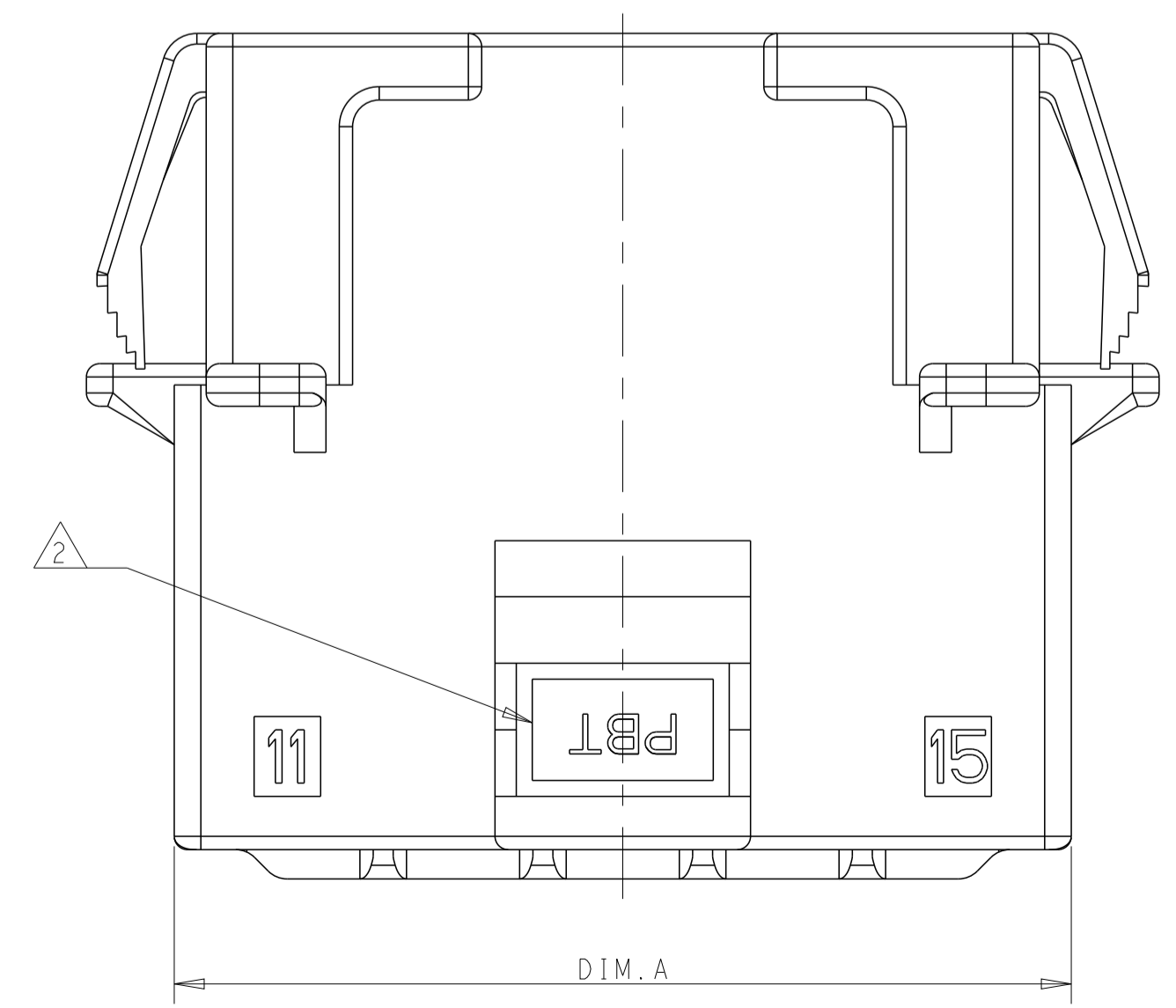
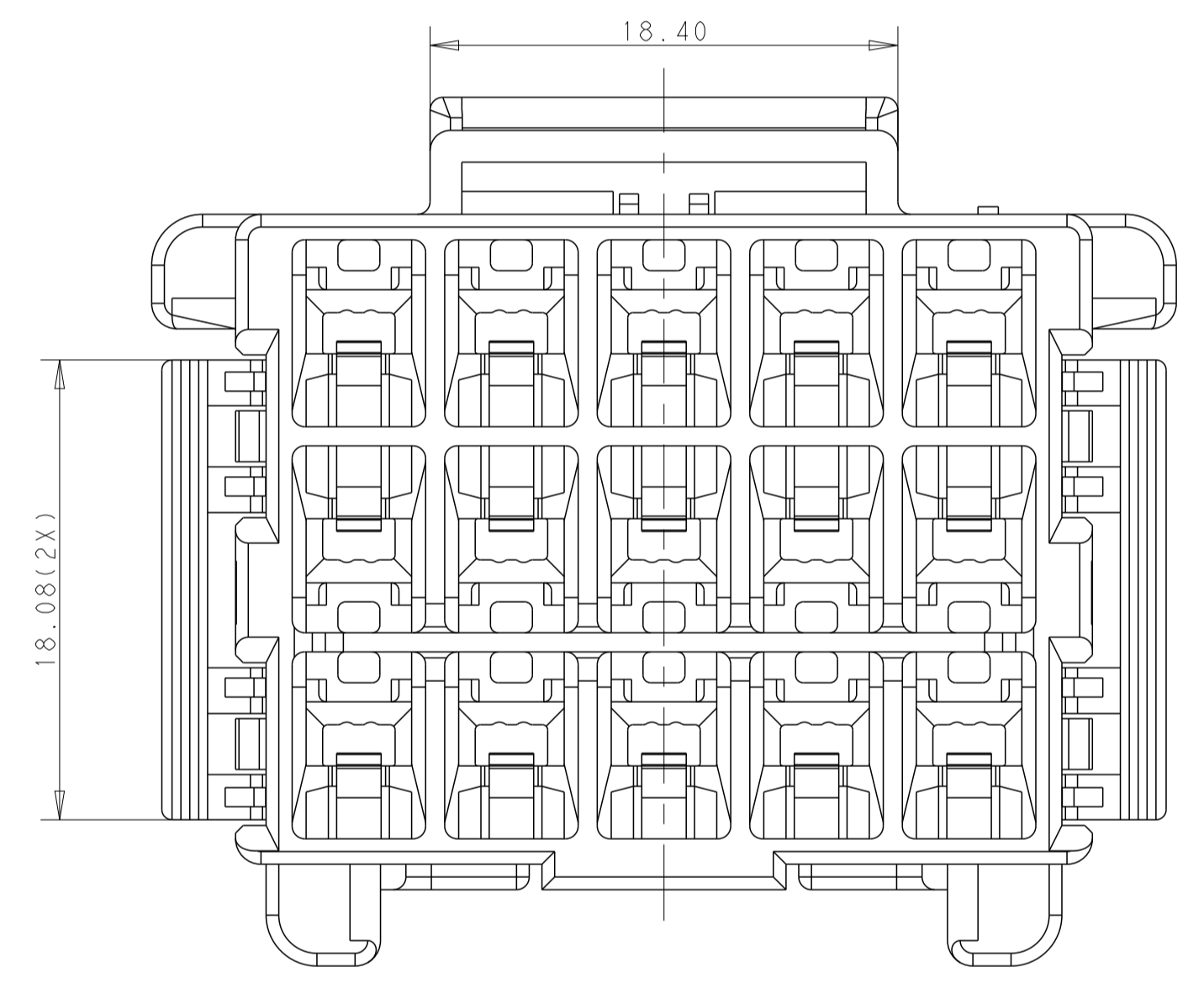
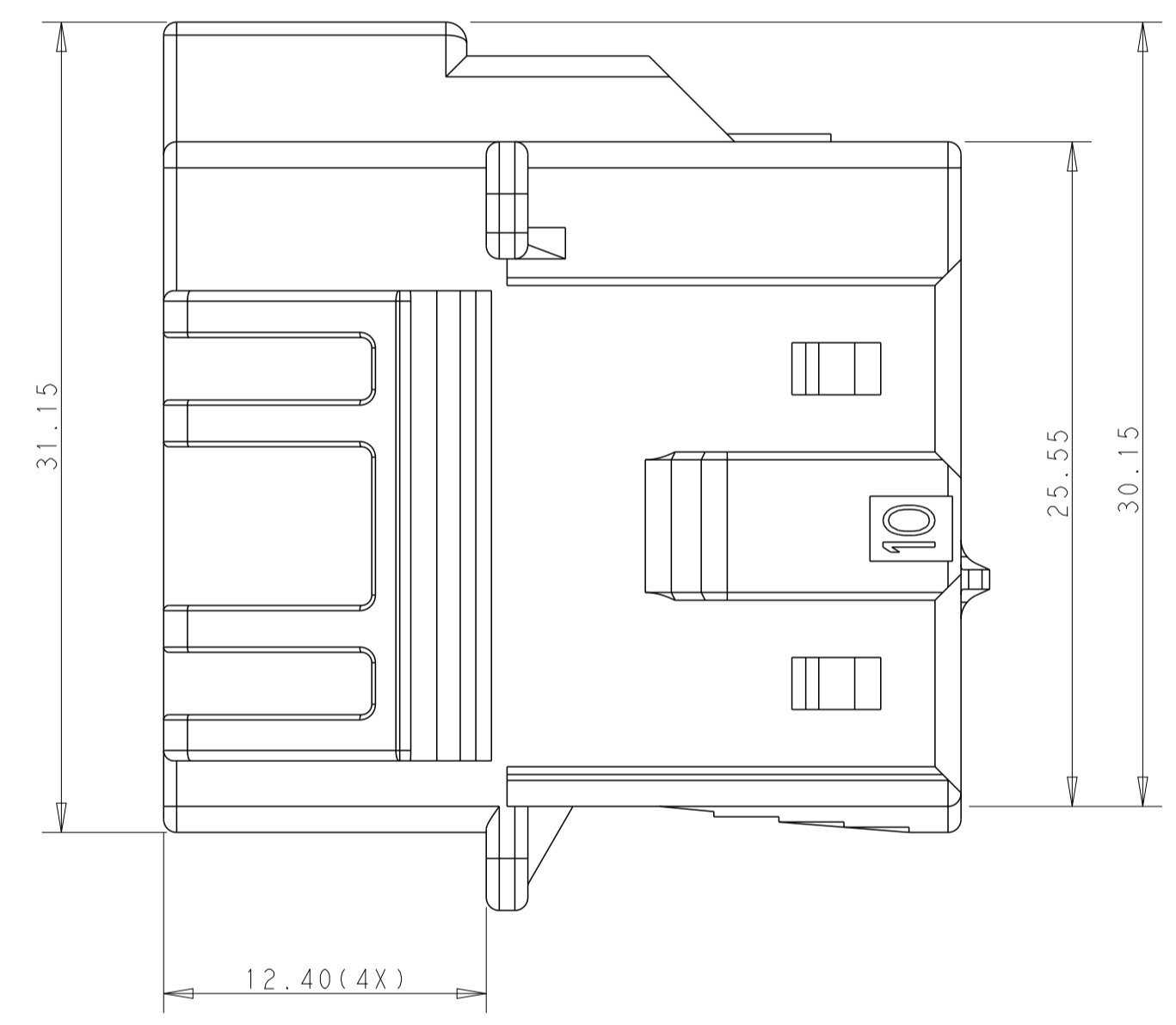
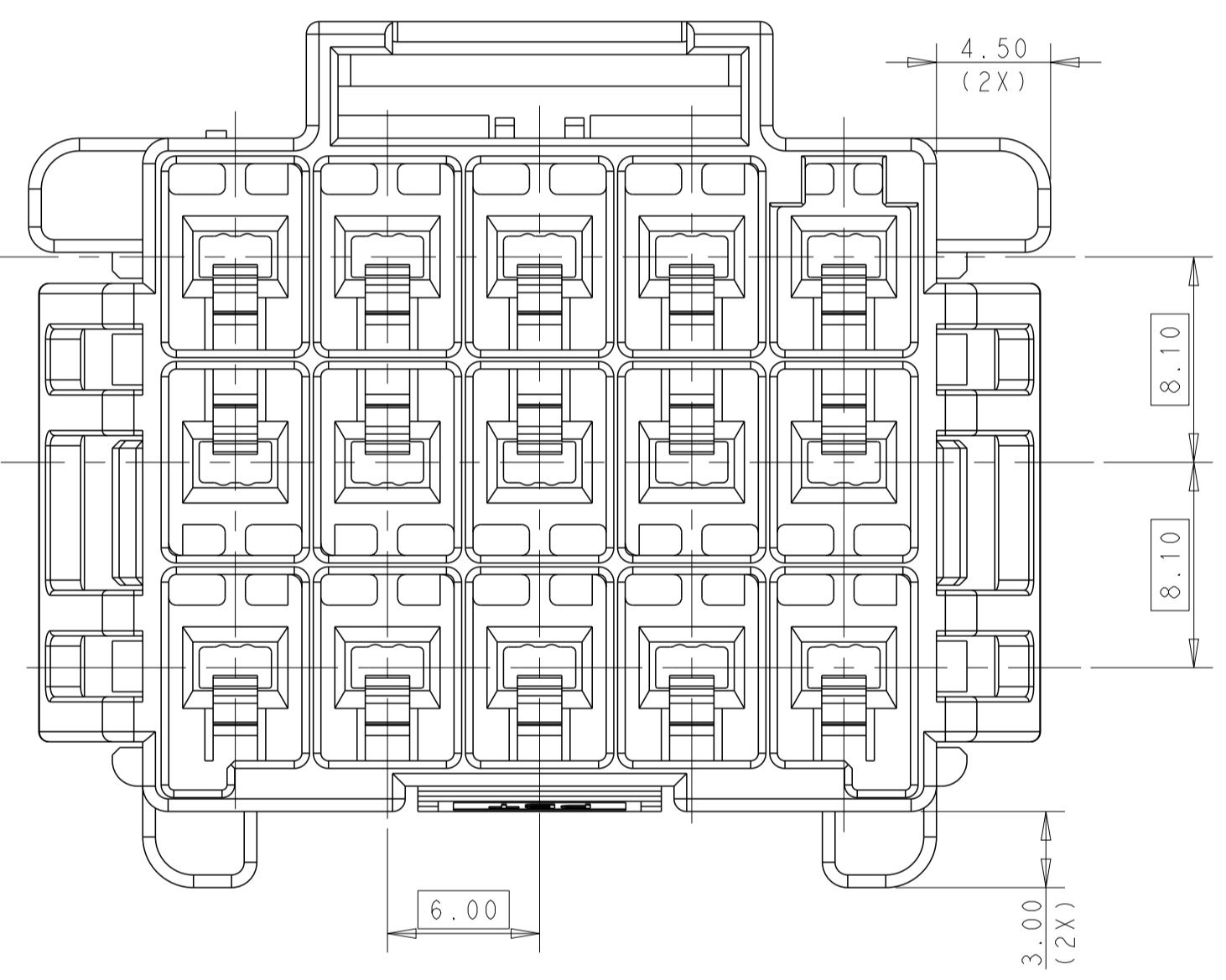


REVISIONS				
P	LTN	DESCRIPTION	DATE	APVD
C		REVISED PER ECR-16-003314	16JUL2016	BW GJ



RECOMMENDED PANEL OPENING DIMENSIONS
 FOR CAP HOUSING 3*5 AND 3*4 POSITIONS
 (TOLERANCE: ±0.15mm)

RECOMMENDED PANEL OPENING DIMENSIONS
 FOR CAP HOUSING 3*3 POSITION
 (TOLERANCE: ±0.15mm)



- 1 MATERIAL:
 LEVEL 1:PBT, STANDARD TEMPERATURE 105°C
 KEY A:NATURAL; KEY B:PURPLE; KEY C:BLUE; KEY D:YELLOW

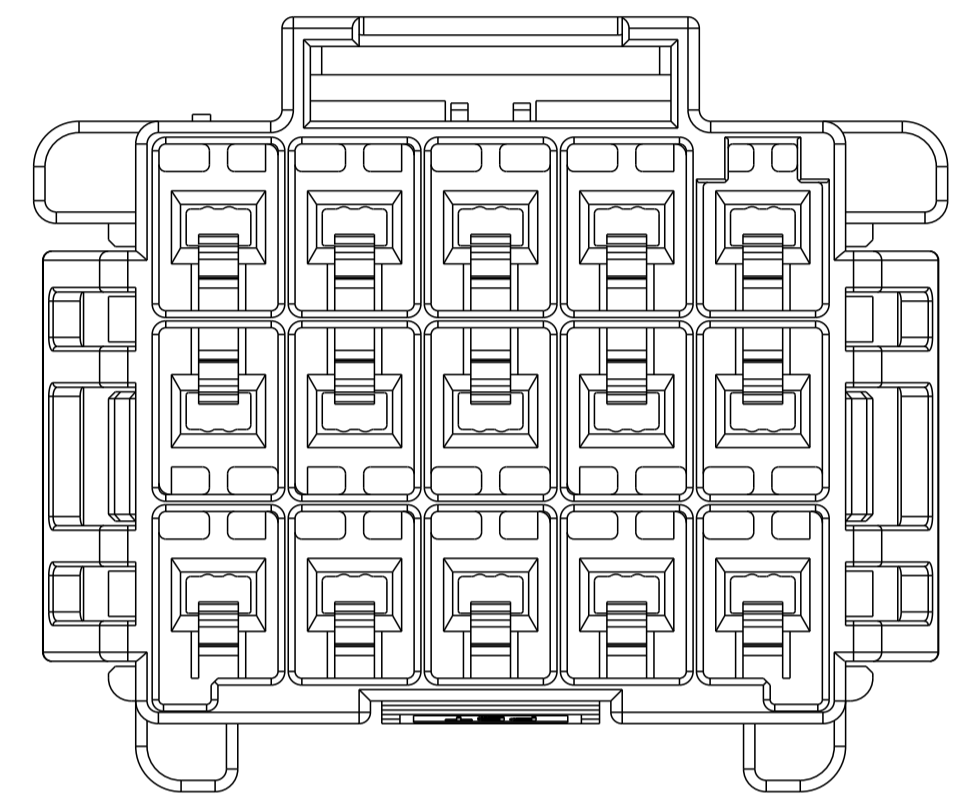
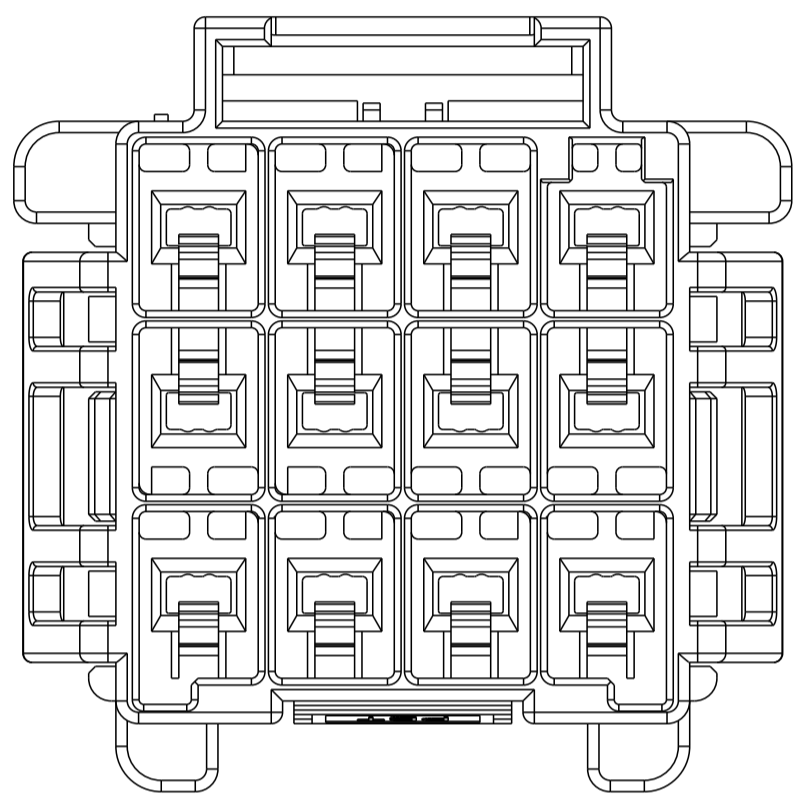
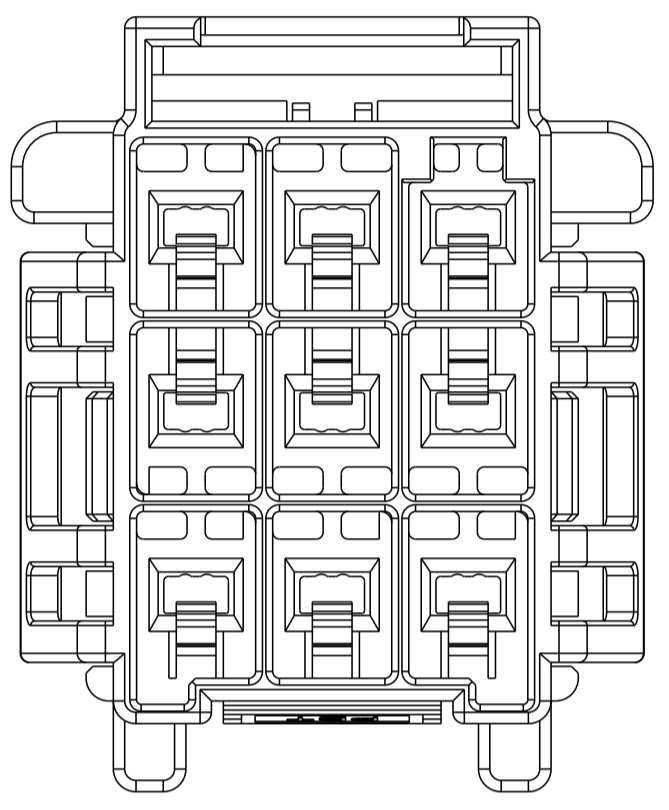
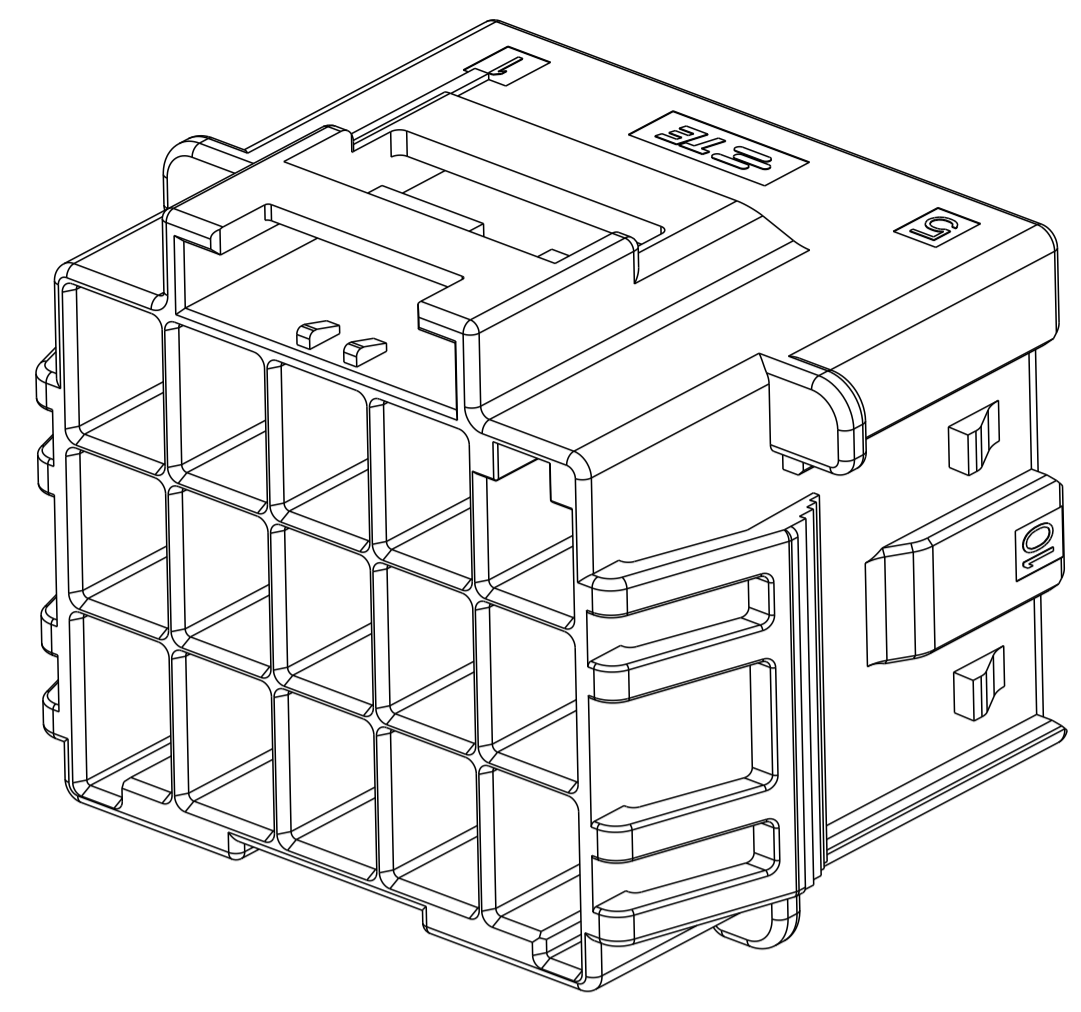
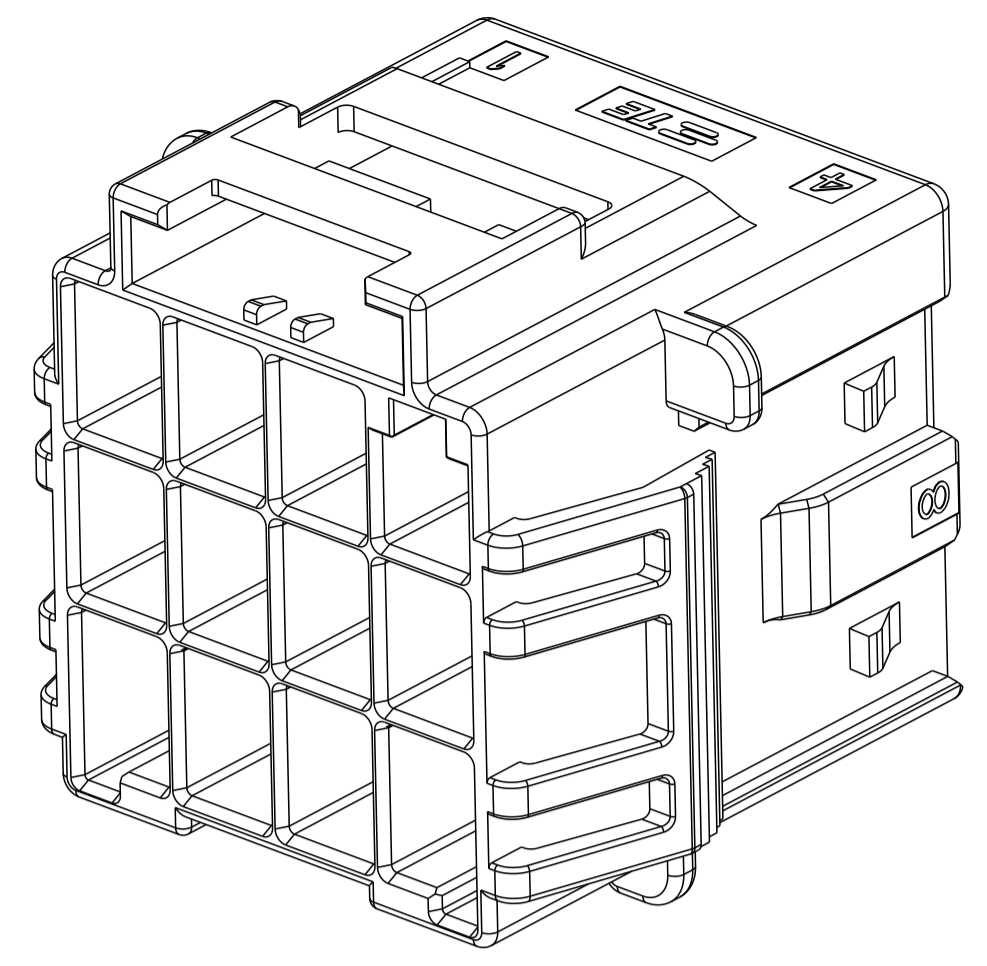
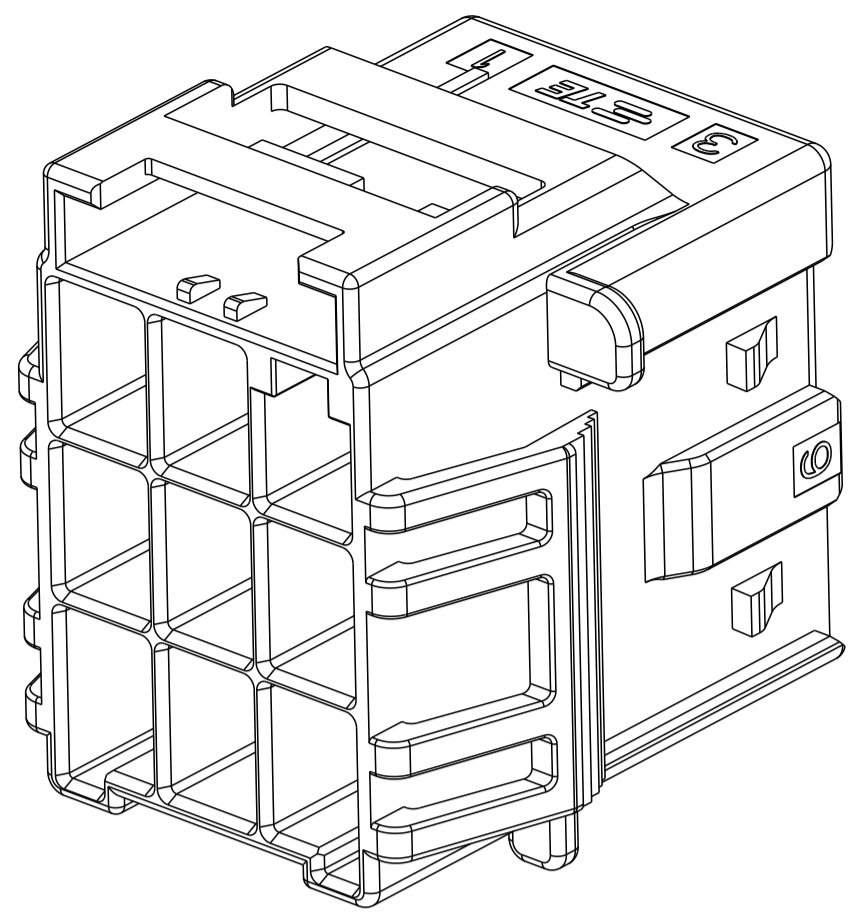
 LEVEL 2:NYLON, HIGH TEMPERATURE 150°C
 KEY A:LIGHT GREY; KEY B:RED; KEY C:BLACK; KEY D:NATURAL
- 2 MATERIAL MARK:
 LEVEL 1:PBT, LEVEL 2:HDT
- 3 APPLICABLE CONTACT P/N
 TAB CONTACT:1971238/1971780/82/84/86/88-*,2238067-*
- 4 MATING CONN, P/N
 PLUG HSG:*-1971876-*,
 TPA DOUBLE ROW:*-1971778-*,SINGLE ROW:*-1971777-*
- 5 RECOMMENDED PANEL THICKNESS:1.0-2.0mm
- 6 THIS PRODUCT HAS NOT COMPLETED VALIDATION TESTING

POS	A	B	C	D	E
3*5	33.70	39.5	31.30	36.70	31.80
3*4	27.70	33.5	25.30	30.70	25.80
3*3	21.70	27.5	19.30		

THIS DRAWING IS A CONTROLLED DOCUMENT. DWN TOMMY WU 06JUL2012
 CHK HAPYE WU 06JUL2012
 DIMENSIONS: mm TOLERANCES UNLESS OTHERWISE SPECIFIED:
 0 PLC ±0.35
 1 PLC ±0.25
 2 PLC ±0.25
 3 PLC ±0.25
 4 PLC ±0.25
 ANGLES ±0.5°
 MATERIAL FINISH

TE Connectivity
 NAME: CAP HOUSING, PANEL MOUNT, TRIPLE ROW
 POWER TRIPLE LOCK
 SIZE: A100779 C=1971875
 SCALE: 1 OF 2 SHEET REV C

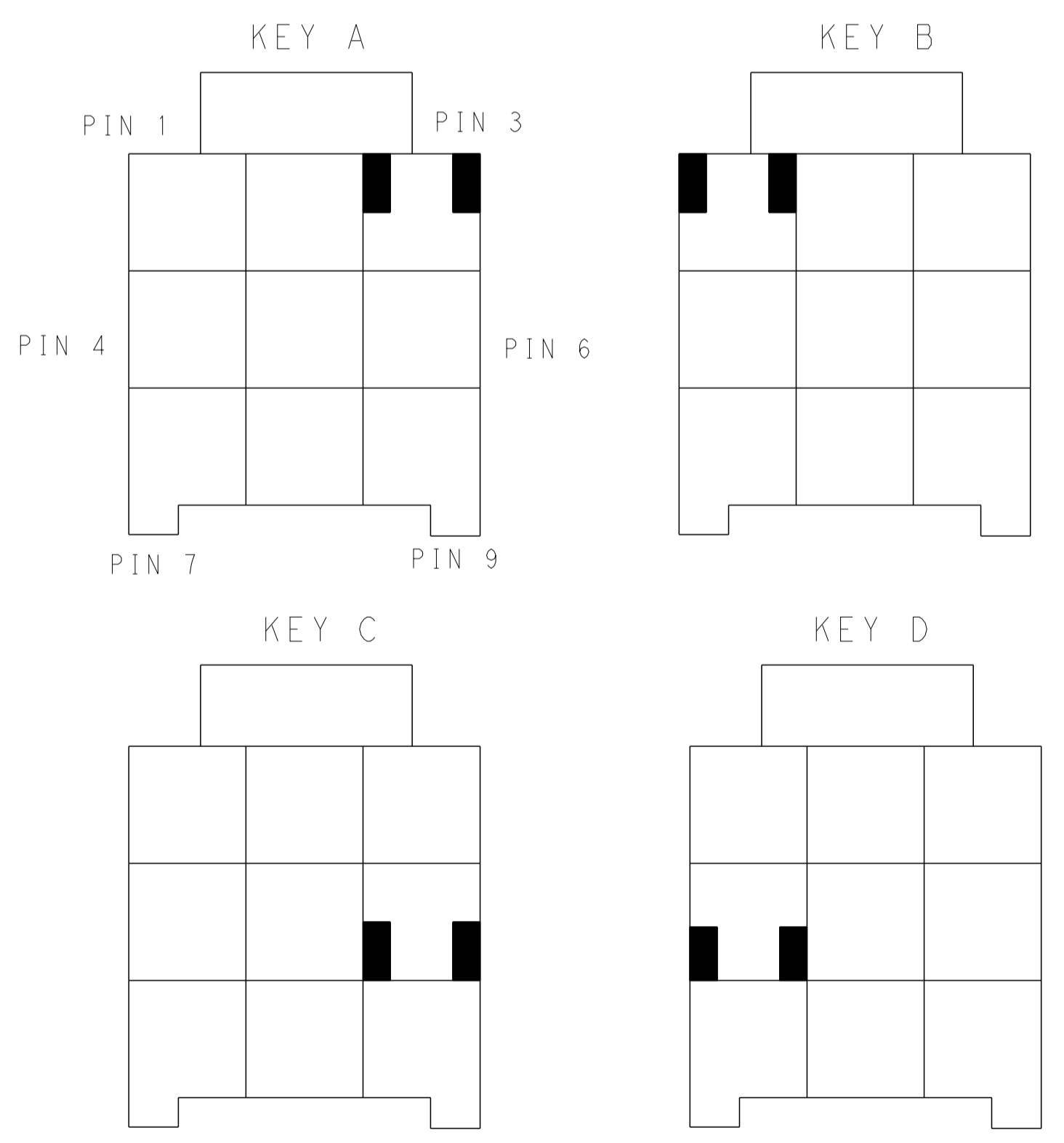
REVISIONS				
P.	LTN.	DESCRIPTION	DATE	APVD.
-	-	SEE SHEET 1	-	-



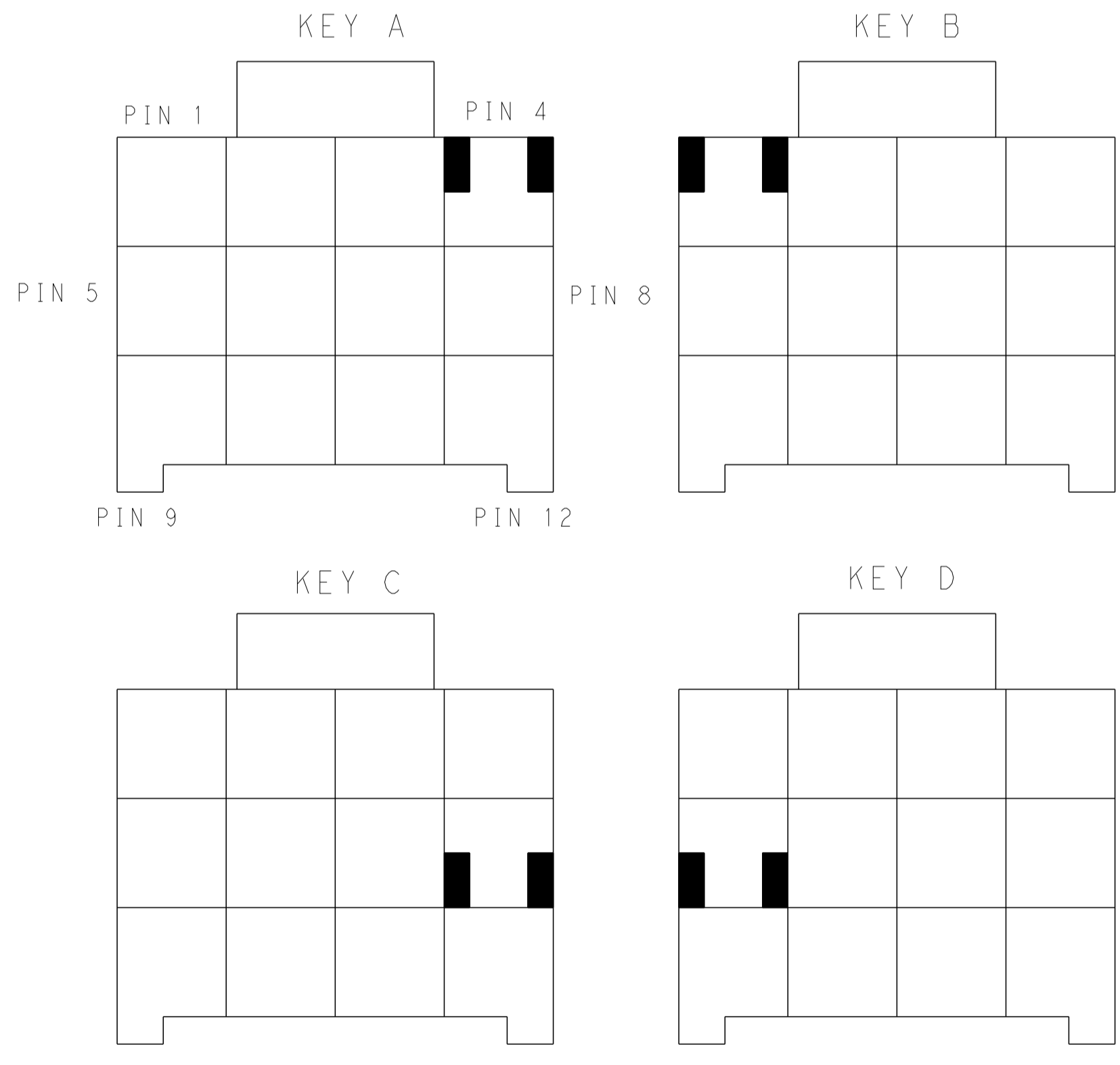
3*3 POSITIONS

3*4 POSITIONS

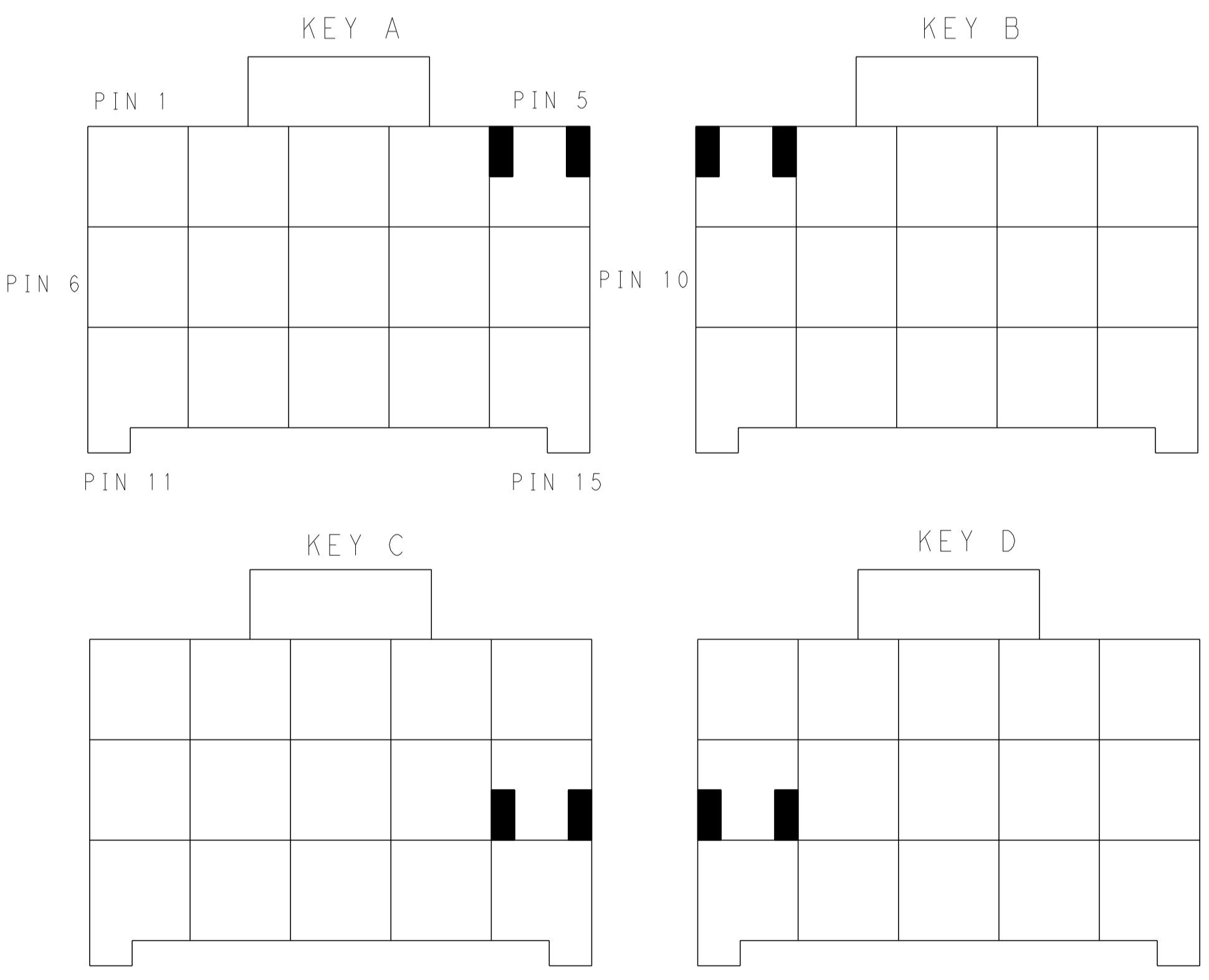
3*5 POSITIONS



KEYING FOR 3*3 POS.



KEYING FOR 3*4 POS.



KEYING FOR 3*5 POS.

POS.	MATERIAL	KEY	P/N
3*5	LEVEL 1	KEY A	1-1971875-7
		KEY B	2-1971875-7
		KEY C	3-1971875-7
		KEY D	4-1971875-7
3*5	LEVEL 2	KEY A	5-1971875-7
		KEY B	6-1971875-7
		KEY C	7-1971875-7
		KEY D	8-1971875-7
3*4	LEVEL 1	KEY A	1-1971875-4
		KEY B	2-1971875-4
		KEY C	3-1971875-4
		KEY D	4-1971875-4
3*4	LEVEL 2	KEY A	5-1971875-4
		KEY B	6-1971875-4
		KEY C	7-1971875-4
		KEY D	8-1971875-4
3*3	LEVEL 1	KEY A	1-1971875-3
		KEY B	2-1971875-3
		KEY C	3-1971875-3
		KEY D	4-1971875-3
3*3	LEVEL 2	KEY A	5-1971875-3
		KEY B	6-1971875-3
		KEY C	7-1971875-3
		KEY D	8-1971875-3

THIS DRAWING IS A CONTROLLED DOCUMENT.

OWNER: TOMMY WU 06JUL2012
 CHG: HAPYE WU 06JUL2012
 APVD: YUHONG MAO 06JUL2012

TE Connectivity

NAME: CAP HOUSING, PANEL MOUNT, TRIPLE ROW POWER TRIPLE LOCK

SIZE: A1 CAGE CODE: 100779 DRAWING NO: 1971875

RESTRICTED TO: Customer Drawing

SCALE: SHEET 2 OF 2 REV C

4805 (3/13)