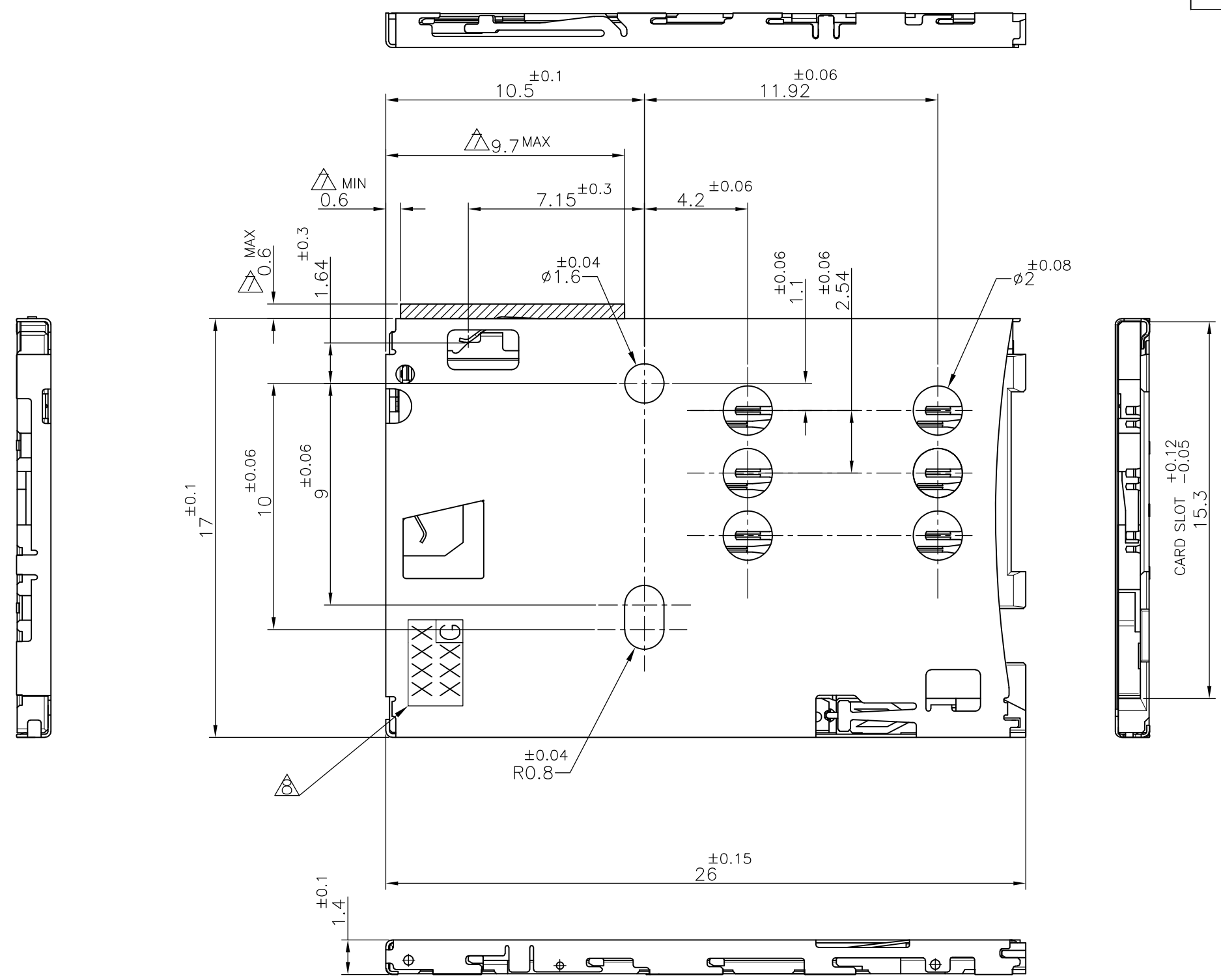
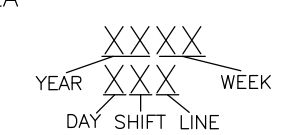


THIS DRAWING IS UNPUBLISHED. RELEASED FOR PUBLICATION JAN ,2011.  
 © COPYRIGHT 2011 By Tyco Electronics Japan G.K ALL RIGHTS RESERVED.

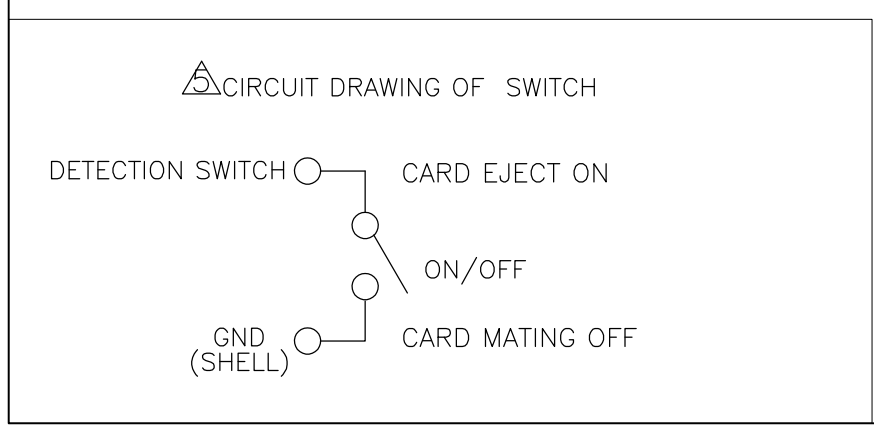
| LOC | DIST | REVISIONS |     |             |           |     |      |
|-----|------|-----------|-----|-------------|-----------|-----|------|
|     |      | P         | LTR | DESCRIPTION | DATE      | DWN | APVD |
| J   | /    |           | A1  | REVISED     | 05DEC2012 | Y.K | T.K  |



- 1.MATERIAL HOUSING,SLIDER : THERMOPLASTIC RESIN  
UL94V-0, COLOR;BLACK  
CONTACT : COPPER ALLOY  
SHELL : STAINLESS STEEL  
COIL : SWP  
CAM ROD : STAINLESS STEEL
- △FINISH CONTACT : Ni UNDER PL  
Au PL AT CONTACT AREA  
Au PL AT PROBE AREA  
Au PL AT SOLDERING AREA  
SHELL : Au PL AT SOLDERING AND SW AREA
- △ NON-CUMULATIVE TOLERANCE
- 4. COPLANARITY IS 0.1MAX.
- △ CIRCUIT DRAWING OF SWITCH
- 6. OVERALL TOLERANCE:±0.1
- △ SWITCH MOVING AREA
- △ MARK DATE CODE



|        |             |
|--------|-------------|
| △      | 2174918-1   |
| FINISH | PART NUMBER |



THIS DRAWING IS A CONTROLLED DOCUMENT.

|                |  |                           |   |
|----------------|--|---------------------------|---|
| DIMENSIONS: MM | TOLERANCES UNLESS OTHERWISE SPECIFIED: | DWN T.WATANABE 23APR2012  | TE Connectivity<br>SIM CONNECTOR<br>PUSH-PUSH SUPER LOWPROFILE TYPE |
|                | 0 PLC ± -                              | CHK K.KOBAYASHI 23APR2012 |   |
|                | 1 PLC ± -                              | APVD T.KUSUHARA 23APR2012 |   |
|                | 2 PLC ± -                              | NAME                      |   |
| MATERIAL       | FINISH                                 | PRODUCT SPEC 108-78899    | RESTRICTED TO   |

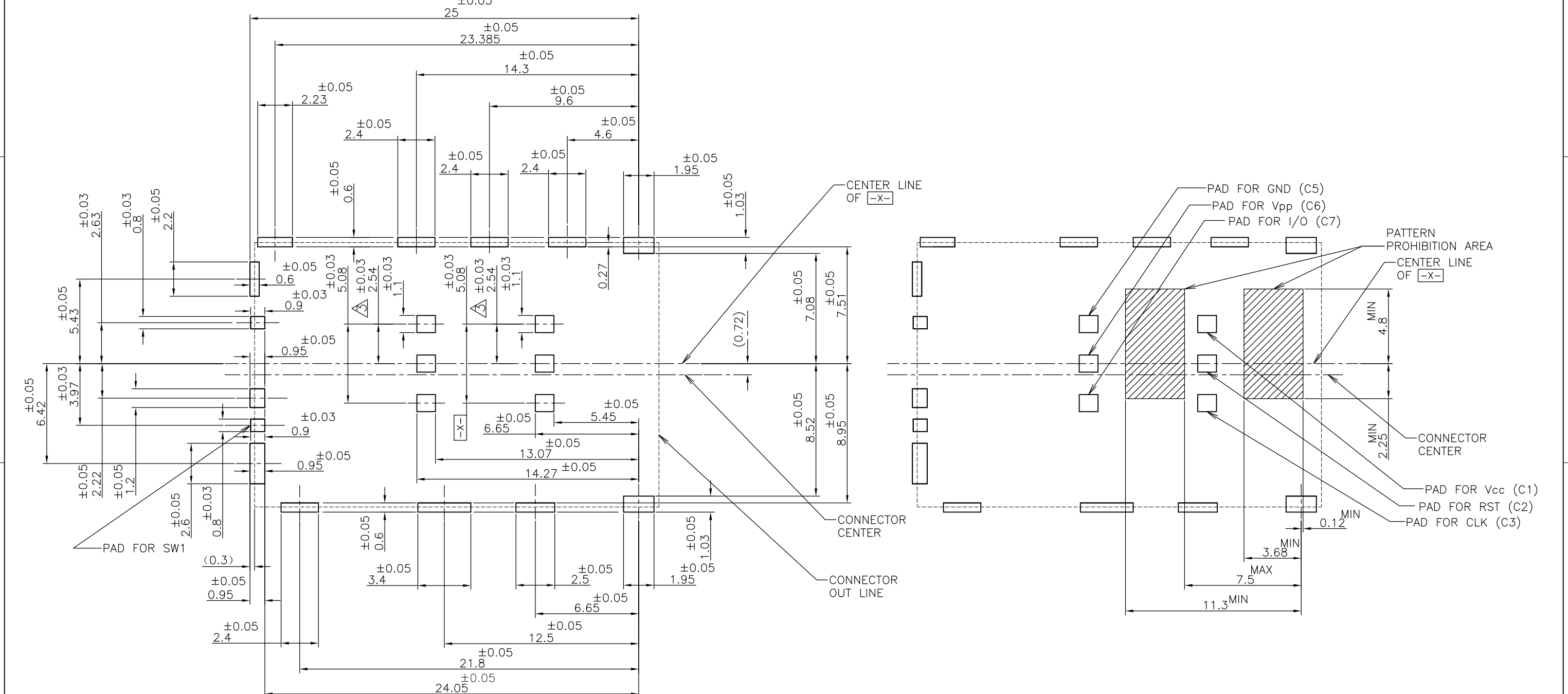
APPLICATIO N SPEC: WEIGHT 0.866g

SIZE: A3 CAGE CODE: 00779 DRAWING NO: C-2174918

CUSTOMER DRAWING SCALE: 5:1 SHEET: 1 OF 4 REV: A1

THIS DRAWING IS UNPUBLISHED. RELEASED FOR PUBLICATION JAN ,2011.  
 © COPYRIGHT 2011 By Tyco Electronics Japan G.K. ALL RIGHTS RESERVED.

| LOC | DIST | REVISIONS   |      |     |      |
|-----|------|-------------|------|-----|------|
| P   | LTR  | DESCRIPTION | DATE | DWN | APVD |
| J   | /    | SEE SHEET 1 | -    | -   | -    |



PCB LAYOUT(REFERENCE)  
(VIEWED FROM CONNECTOR MOUNT SIDE)

|  |  |  |           |            |               |
|--|--|--|-----------|------------|---------------|
| THIS DRAWING IS A CONTROLLED DOCUMENT. |  | DWN  | -         |            |               |
| DIMENSIONS:<br>MM                      |  | CHK  | -         |            |               |
| TOLERANCES UNLESS OTHERWISE SPECIFIED: |  | APVD   | -         |            |               |
| 0 PLC ± -                              |  | PRODUCT SPEC                                     | -         |            |               |
| 1 PLC ± -                              |  | APPLICATION SPEC                                 | -         |            |               |
| 2 PLC ± -                              |  | WEIGHT   | -         |            |               |
| 3 PLC ± -                              |  | TE Connectivity                                  |           |            |               |
| 4 PLC ± -                              |  | SIM CONNECTOR<br>PUSH-PUSH SUPER LOWPROFILE TYPE |           |            |               |
| ANGLES ± -                             |  | SIZE   | CAGE CODE | DRAWING NO | RESTRICTED TO |
| FINISH ± -                             |  | A3 00779   |           | C-2174918  |               |
| MATERIAL                               |  | CUSTOMER DRAWING                                 |           | SCALE 4:1  | SHEET 2 OF 4  |
|  |  |  |           | REV A1     |               |

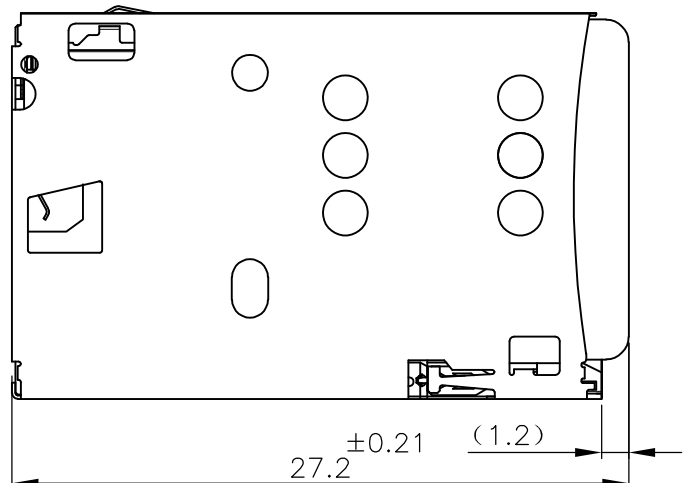
THIS DRAWING IS UNPUBLISHED.

RELEASED FOR PUBLICATION JAN , 2011.

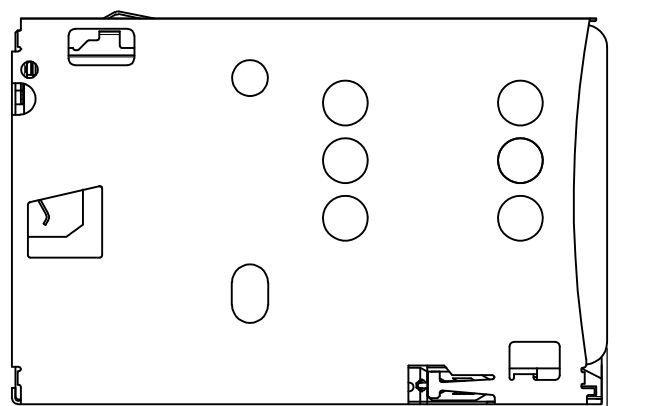
© COPYRIGHT 2011 By Tyco Electronics Japan G.K

ALL RIGHTS RESERVED.

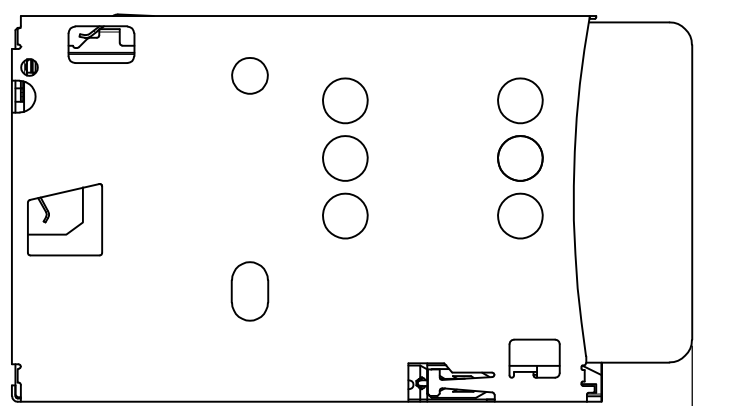
| LOC | DIST | REVISIONS   |      |     |      |
|-----|------|-------------|------|-----|------|
| P   | LTR  | DESCRIPTION | DATE | DWN | APVD |
| J   | /    | SEE SHEET 1 | -    | -   | -    |



MATING

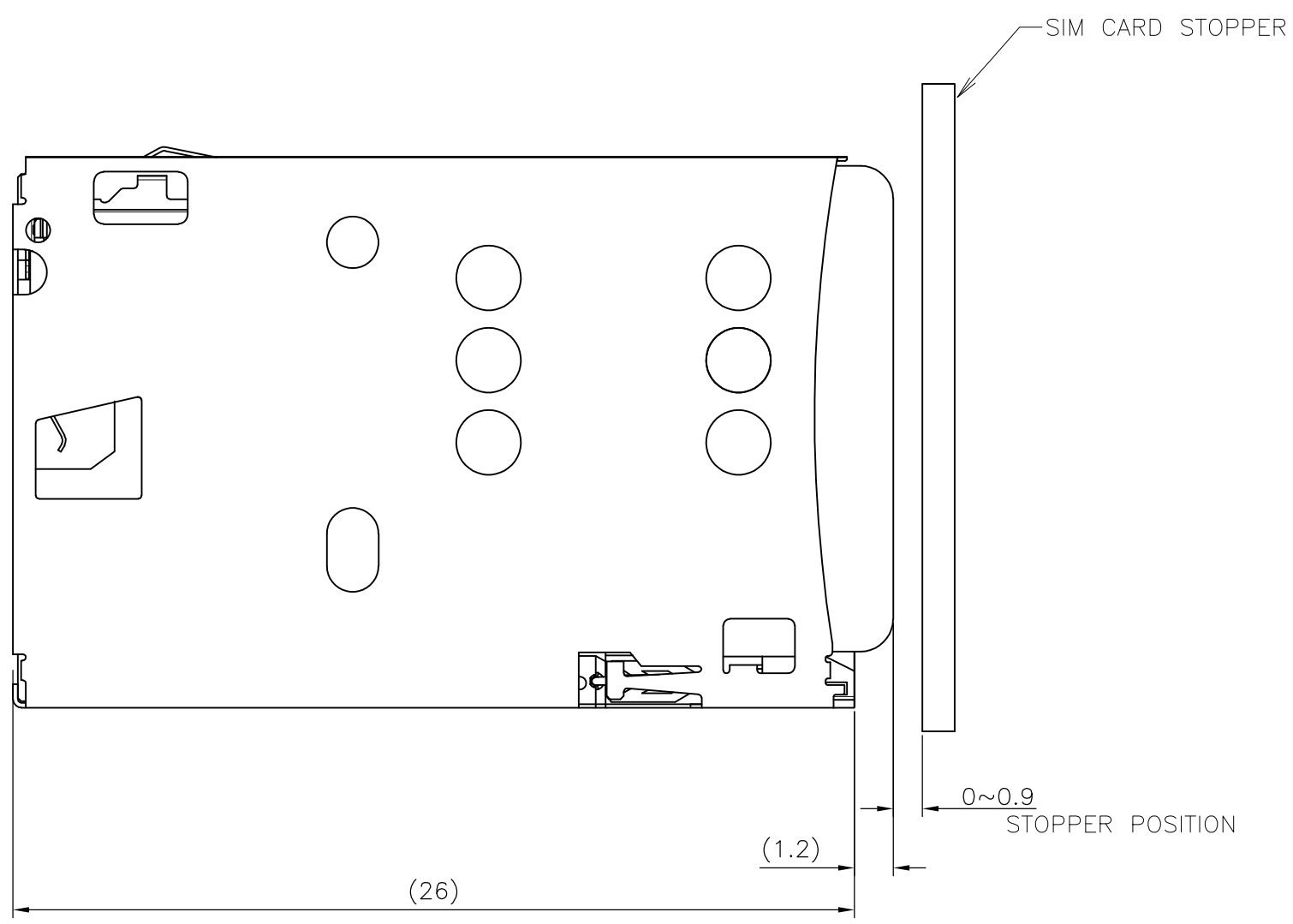



PUSH (0.25)



EJECT (4)

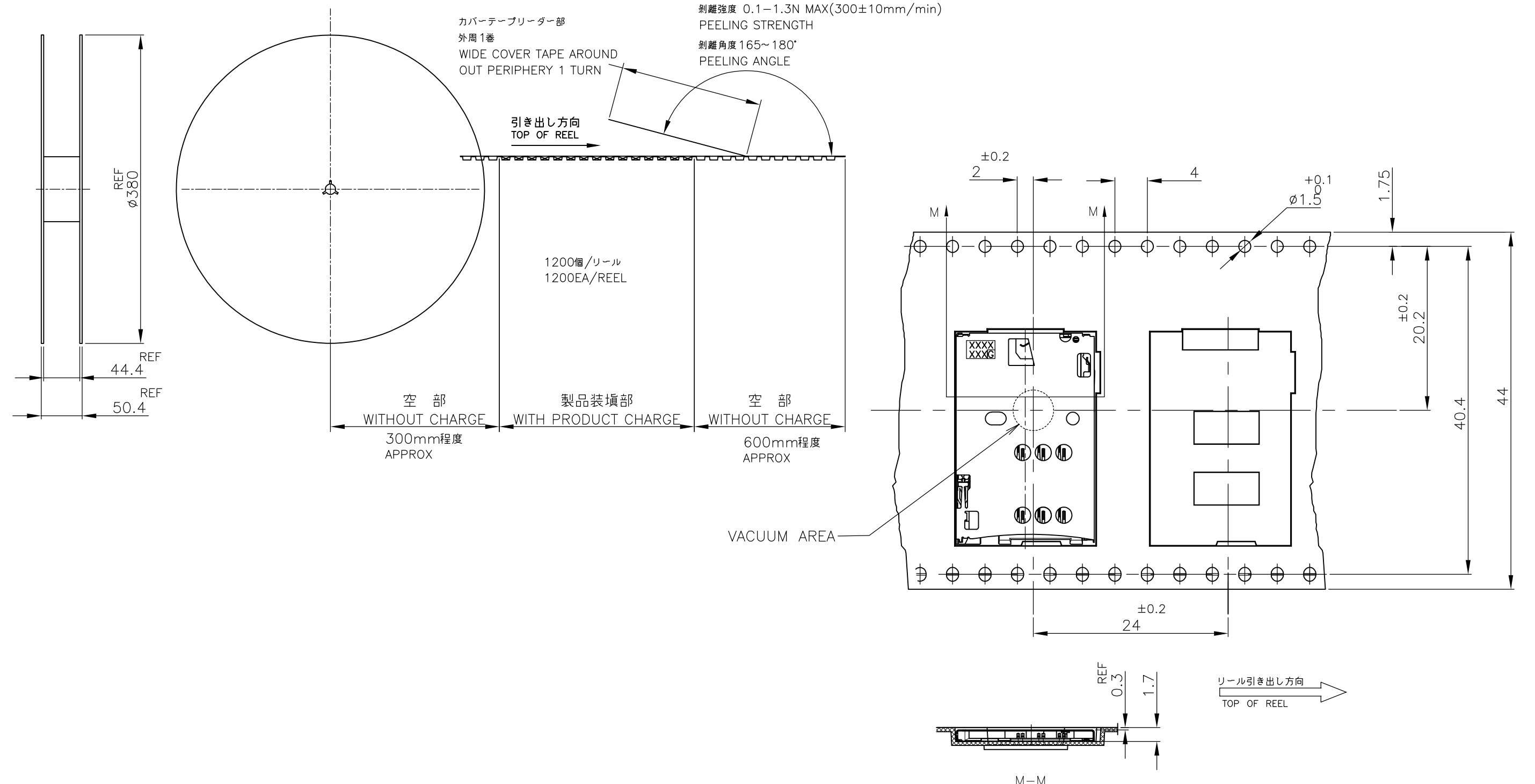
THERE IS NOT SIM CARD LOCK IN THIS CONNECTOR  
PLEASE HOLD THE CARD EDGE AS SHOWN IN THE FIGURE BELOW AT TIME OF USE.



|  |     |                  |     |       |           |  |               |     |       |     |       |     |        |     |        |  |              |   |  |
|--|-----|------------------|-----|-------|-----------|--|---------------|-----|-------|-----|-------|-----|--------|-----|--------|--|--------------|---|--|
| THIS DRAWING IS A CONTROLLED DOCUMENT.   |     | DWN              | -   |       |           |  <b>TE Connectivity</b> |               |     |       |     |       |     |        |     |        |  |              |   |  |
| DIMENSIONS: MM   |     | CHK              | -   |       |           |  |               |     |       |     |       |     |        |     |        |  |              |   |  |
| TOLERANCES UNLESS OTHERWISE SPECIFIED:   |     | APVD             | -   |       |           |  |               |     |       |     |       |     |        |     |        |  |              |   |  |
| <table border="0"> <tr><td>0 PLC</td><td>± -</td></tr> <tr><td>1 PLC</td><td>± -</td></tr> <tr><td>2 PLC</td><td>± -</td></tr> <tr><td>3 PLC</td><td>± -</td></tr> <tr><td>4 PLC</td><td>± -</td></tr> <tr><td>ANGLES</td><td>± -</td></tr> <tr><td>FINISH</td><td></td></tr> </table> |     | 0 PLC            | ± - | 1 PLC | ± -       |  | 2 PLC         | ± - | 3 PLC | ± - | 4 PLC | ± - | ANGLES | ± - | FINISH |  | PRODUCT SPEC | - |  |
| 0 PLC  | ± - |                  |     |       |           |  |               |     |       |     |       |     |        |     |        |  |              |   |  |
| 1 PLC  | ± - |                  |     |       |           |  |               |     |       |     |       |     |        |     |        |  |              |   |  |
| 2 PLC  | ± - |                  |     |       |           |  |               |     |       |     |       |     |        |     |        |  |              |   |  |
| 3 PLC  | ± - |                  |     |       |           |  |               |     |       |     |       |     |        |     |        |  |              |   |  |
| 4 PLC  | ± - |                  |     |       |           |  |               |     |       |     |       |     |        |     |        |  |              |   |  |
| ANGLES   | ± - |                  |     |       |           |  |               |     |       |     |       |     |        |     |        |  |              |   |  |
| FINISH   |     |                  |     |       |           |  |               |     |       |     |       |     |        |     |        |  |              |   |  |
| MATERIAL   |     | APPLICATION SPEC | -   |       |           | NAME   |               |     |       |     |       |     |        |     |        |  |              |   |  |
|  |     | WEIGHT           | -   |       |           | SIM CONNECTOR<br>PUSH-PUSH SUPER LOWPROFILE TYPE   |               |     |       |     |       |     |        |     |        |  |              |   |  |
|  |     | CUSTOMER DRAWING |     | SIZE  | CAGE CODE | DRAWING NO   | RESTRICTED TO |     |       |     |       |     |        |     |        |  |              |   |  |
|  |     |                  |     | A3    | 00779     | C-2174918  |               |     |       |     |       |     |        |     |        |  |              |   |  |
|  |     |                  |     | SCALE | SHEET     | REV  |               |     |       |     |       |     |        |     |        |  |              |   |  |
|  |     |                  |     | 4:1   | 3 OF 4    | A1   |               |     |       |     |       |     |        |     |        |  |              |   |  |

THIS DRAWING IS UNPUBLISHED. RELEASED FOR PUBLICATION JAN , 2011.  
 © COPYRIGHT 2011 By Tyco Electronics Japan G.K. ALL RIGHTS RESERVED.

| LOC | DIST | REVISIONS   |      |     |      |
|-----|------|-------------|------|-----|------|
| P   | LTR  | DESCRIPTION | DATE | DWN | APVD |
| J   | /    | SEE SHEET 1 | -    | -   | -    |



|  |  |                  |           |                                 |               |
|--|--|------------------|-----------|---------------------------------|---------------|
| THIS DRAWING IS A CONTROLLED DOCUMENT. |  | DWN              | -         | <b>STE</b> TE Connectivity      |               |
| DIMENSIONS:<br>MM                      |  | CHK              | -         |                                 |               |
| TOLERANCES UNLESS OTHERWISE SPECIFIED: |  | APVD             | -         | NAME                            |               |
| 0 PLC ± -                              |  | PRODUCT SPEC     | -         | SIM CONNECTOR                   |               |
| 1 PLC ± -                              |  | APPLICATION SPEC | -         | PUSH-PUSH SUPER LOWPROFILE TYPE |               |
| 2 PLC ± -                              |  | SIZE             | A3        | CAGE CODE                       | 00779         |
| 3 PLC ± -                              |  | DRAWING NO       | C-2174918 |                                 | RESTRICTED TO |
| 4 PLC ± -                              |  | WEIGHT           | -         |                                 |               |
| ANGLES ± -                             |  | CUSTOMER DRAWING |           |                                 |               |
| FINISH                                 |  | SCALE            | NTS       | SHEET                           | 4 OF 4        |
|  |  | REV              | A1        |                                 |               |