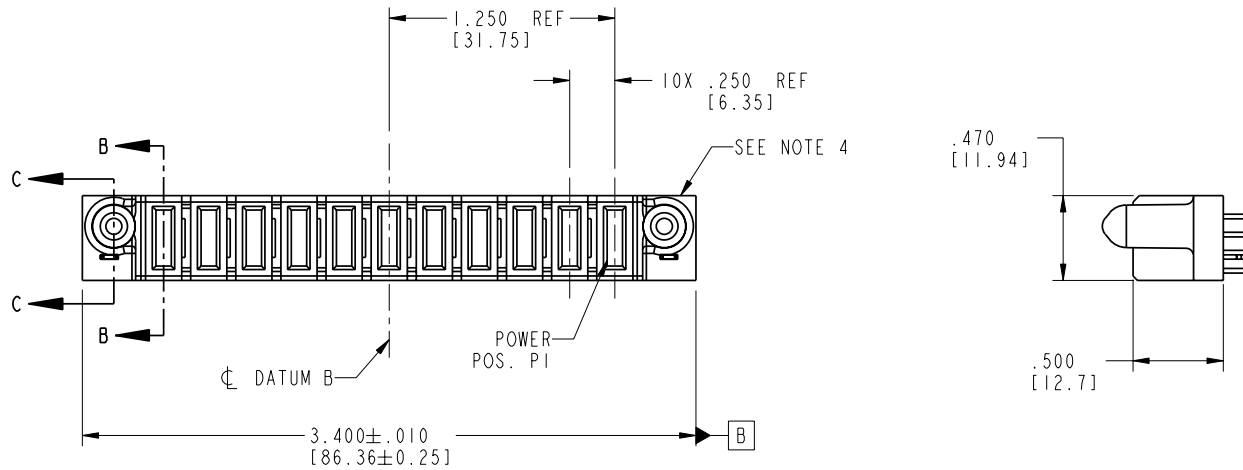


Tous droits strictement réservés. Reproduction ou communication o des tiers interdite sous quelque forme que ce soit sans autorisation écrite du propriétaire. Propriété de c FCI. Droits de reproduction FCI.

All rights strictly reserved. Reproduction or issue to third parties in any form whatever is not permitted without written authority from the proprietor. Property of FCI. Copyright FCI.



PRODUCT NO.	POWER														E1
	E2	P11	P10	P9	P8	P7	P6	P5	P4	P3	P2	P1			
51753-003-- NOTE ③		PA	PA	X	PA	PA	X	PA	PA	X	PA	PA			



CODE	DIM "M" MATING LENGTH	CONTACT TYPE
PA	.042 [1.07]	POWER
HA	N/A [N/A]	HOLD-DOWN
X	OMITTED	OMITTED

mat'l code				SEE NOTE 2		tolerances unless otherwise specified		CUSTOMER			
lfr	ecn no.	dr	date	linear	angles	.XX±.01/0.X±0.3		COPY		www.fciconnect.com	
A	DG06-0086	RYAN	03/03/06			.XXX±.005/0.XX±0.13		projection		title	
						.XXX±.002/0.XXX±0.051				IIP	
				dr	engr	0° ± 2°		INCH/MM		VERTICAL SOLDER RECEPT	
				chr	appr	RYAN YUAN 03/03/06		scale		product family	
				JOSEPH HSIA 03/03/06		SALLY LUO 03/03/06		1:1		PwrBlade	
sheet index	revision sheet	A	A	A	A	BEER FU 03/03/06		size		code	
		1	2	3	4	JOSEPH HSIA 03/03/06		A		213	
								51753-003		sheet 1 of 4	

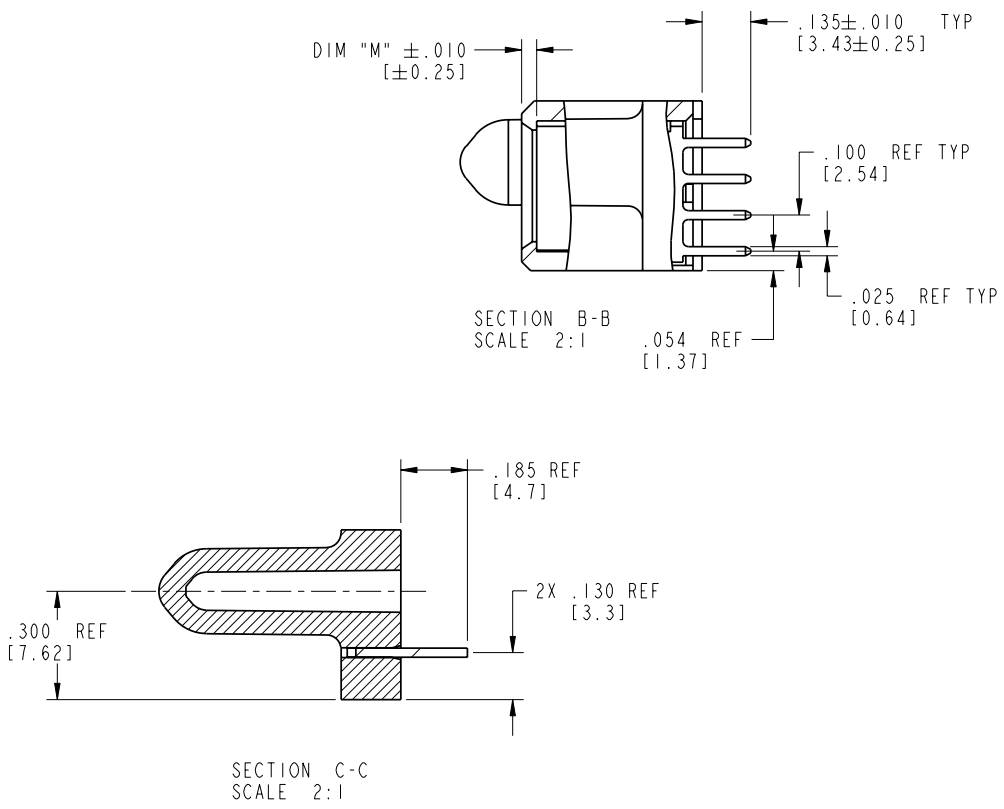
cage code 22526

Pro/E

Tous droits strictement reserves. Reproduction ou communication a des tiers interdite sous quelque forme que ce soit sans autorisation écrite du propriétaire. Propriete de c FCI. Droits de reproduction FCI.

All rights strictly reserved. Reproduction or issue to third parties in any form whatever is not permitted without written authority from the proprietor. Property of FCI. Copyright FCI.

PRODUCT NUMBER
51753-003--
NOTE ③



mat'l code		SEE NOTE 2		tolerances unless otherwise specified		CUSTOMER		 www.fciconnect.com	
lfr	ecn no.	dr	date	linear	.XX±.01/0.X±0.3	COPY		projection	title
A					.XXX±.005/0.XX±0.13	INCH/MM			IIP
				angles	.XXX±.002/0.XXX±0.051	scale		1:1	VERTICAL SOLDER RECEIPT
				dr	RYAN YUAN 03/03/06	product family		PwrBlade	code
				enrg	SALLY LUO 03/03/06	size		dwg no	213
				chr	BEER FU 03/03/06	A		51753-003	sheet
				appd	JOSEPH HSIA 03/03/06				2 of 4
sheet index	revision sheet								

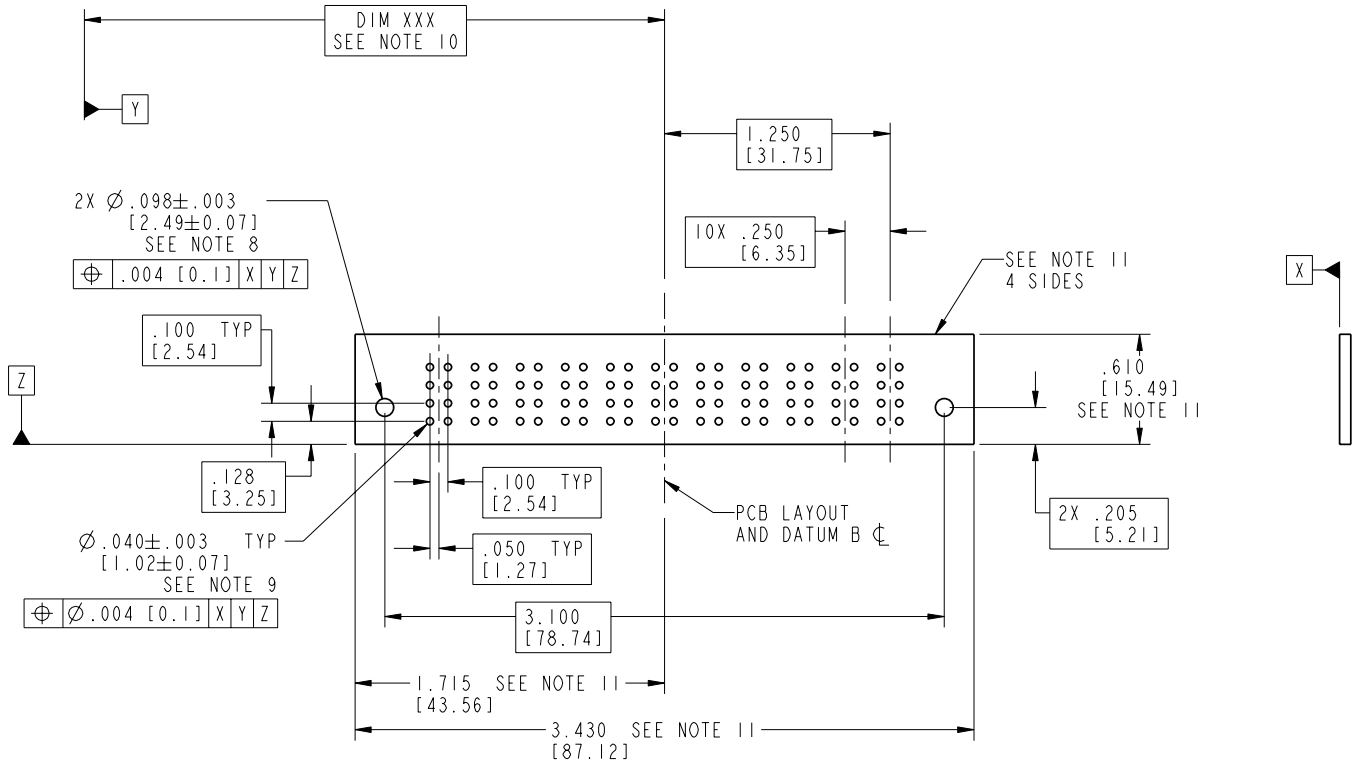
cage code 22526

Pro/E

Tous droits strictement reserves. Reproduction ou communication a des tiers interdite sous quelque forme que ce soit sans autorisation ecrite du proprietaire. Propriete de c FCI. Droits de reproduction FCI.

All rights strictly reserved. Reproduction or issue to third parties in any form without written authority from the proprietor. Property of FCI. Copyright FCI.

PRODUCT NUMBER
51753-003--
NOTE ③



mat'l code		SEE NOTE 2		tolerances unless otherwise specified		CUSTOMER		A FCI		www.fciconnect.com	
lfr	ecn no.	dr	date	linear	.XX±.01/0.X±0.3	COPY		projection	title		
A					.XXX±.005/0.XX±0.13			ϕ \dashv	IIP		
				angles	.XXX±.002/0.XXX±0.051				VERTICAL SOLDER RECEIPT		
				dr	0°±2°	RYAN YUAN 03/03/06		INCH/MM	product family	PwrBlade	code
				enrg		SALLY LUO 03/03/06		scale	size	dwg no	213
				chr		BEER FU 03/03/06		1:1	A	51753-003	sheet
				appd		JOSEPH HSIA 03/03/06					3 of 4
sheet index	revision sheet										

cage code 22526

PRODUCT NUMBER
 51753-003--
 NOTE ③

NOTES:

1. DIMENSIONS AND TOLERANCES ARE IN ACCORDANCE WITH ASME Y14.5M, 1994 UNLESS OTHERWISE SPECIFIED.

CONNECTOR NOTES:

② HOUSING MATERIAL: UL 94 V-0 GLASS FILLED HIGH-TEMP THERMOPLASTIC
 POWER CONTACT MATERIAL: COPPER ALLOY
 SIGNAL PIN MATERIAL: COPPER ALLOY

③ PLATING:
 SEE PRINT I0064183 FOR PLATING SPEC OF 51753-003; 51753-003LF

④ MANUFACTURER'S NAME, P/N, AND DATE CODE TO APPEAR ON THIS SURFACE.

5. PRODUCT SPECIFICATION GS-12-149.
 APPLICATION SPECIFICATION BUS-20-067.

6. PACKAGED IN TRAYS.

PCB NOTES:

7. ALL HOLE DIAMETERS ARE FINISHED HOLE SIZE.

⑧ MOUNTING HOLES, WHERE APPLICABLE, ARE UNPLATED.

⑨ $\varnothing .0453 \pm .0010$ [1.151 \pm 0.025] DRILLED HOLES PLATED WITH
 .0003 [0.008] MIN SnPb OVER .001 [0.03]
 TO .003 [0.08] Cu PLATING TO ACHIEVE
 $\varnothing .040 \pm .003$ [1.02 \pm .07] HOLE.

⑩ "DIM XXX" TO BE DETERMINED BY THE CUSTOMER.

⑪ CONNECTOR KEEP-OUT ZONE.

Tous droits strictement reserves. Reproduction ou communication a des tiers interdite
 sous quelque forme que ce soit sans autorisation ecrite du proprietaire.
 Propriete de c FCI. Droits de reproduction FCI.

A

A



All rights strictly reserved. Reproduction or issue to third parties in any
 form whatever is not permitted without written authority from the proprietor.
 Property of FCI. Copyright FCI.

B

B

mat'l code				SEE NOTE 2		tolerances unless otherwise specified		CUSTOMER		A FCI		www.fciconnect.com	
lfr	ecn no.	dr	date	linear	.XX±.01/0.X±0.3	projection		COPY		title		IIP	
A					.XXX±.005/0.XX±0.13	INCH/MM		A		product family		PwrBlade	
				angles	.XXX±.002/0.XXX±0.051	scale		1:1		size		dwg no	
				dr	0°±2°	R		R		code		213	
				enrg	RYAN YUAN 03/03/06	S		S		sheet		4 of 4	
				chr	SALLY LUO 03/03/06	T		T		code		51753-003	
				appd	BEER FU 03/03/06	U		U		sheet		4 of 4	
					JOSEPH HSIA 03/03/06	V		V		sheet		4 of 4	
sheet index		revision sheet											