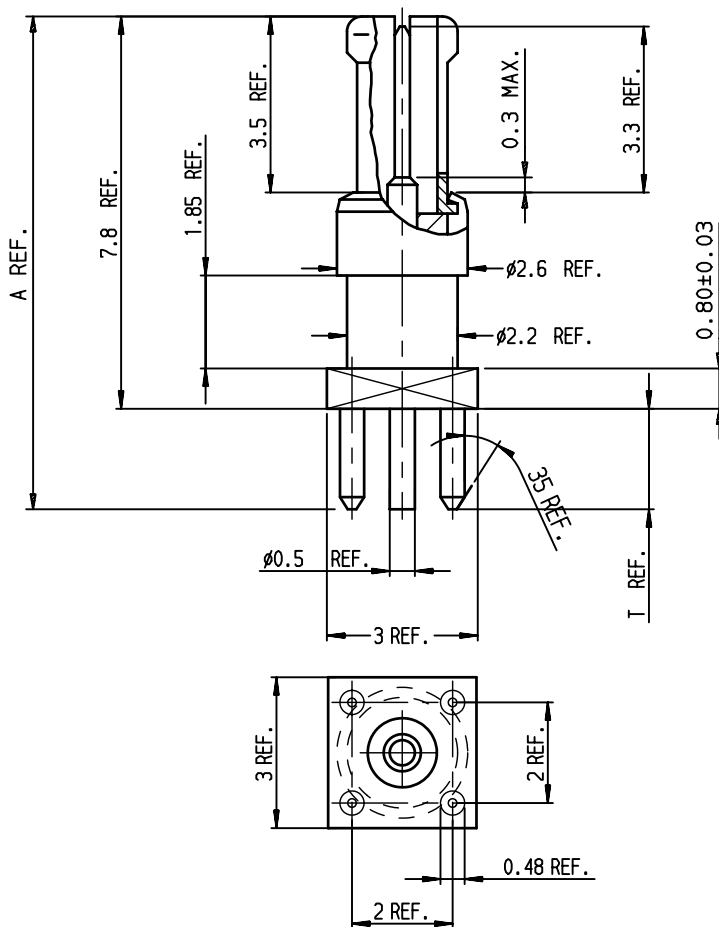


LEAD-FREE P/N	DIM T	DIM A	REMARK
88980-001LF	2.00	9.80	magnetic
88980-002LF	2.50	10.30	magnetic
88980-003LF	3.00	10.80	magnetic
88980-004LF	3.50	11.30	magnetic
88980-005LF	2.50	10.30	non-magnetic



NOTES: RoHS information

1. THIS PRODUCT MEETS EUROPEAN UNION DIRECTIVES AND OTHER COUNTRY REGULATIONS AS DESCRIBED IN GS-22-008.
2. THE PRODUCT IS NOT INTENDED TO BE EXPOSED TO A MANUFACTURING SOLDER PROCESS.
3. PACKAGING SPEC: SEE GS-14-920

www.fciconnect.com		surface ISO 1302 ✓	tolerance std ISO 406 ISO 1101	projection mm
TOLERANCES UNLESS OTHERWISE SPECIFIED				
Dr	ANDREWS	1992/04/24	ANGULAR	size A3
Eng	GOISNARD	1992/04/24	LINEAR	Scale 10:1
Chr	LEGARE	1992/04/24	0.XX ±2'	ECN LS07-0147
Appr	LEGARE	1992/04/24	0.XXX ±0.1	Spec ref -
Product family			METRAL	
			STR STB HDR title MINICOAX INSERT	
catalog no			dwg no 88980	
			Rev. K	
			CUSTOMER sheet 1 of 1	

rev	ecn no	dr	date
H	D605-0438	CLU	2005/11/03
J	LS06-0022	LGO	2006/03/06
K	LS07-0147	LGO	2007/05/30
-	-	-	-
-	-	-	-
F	H80417	DDB	1998/06/30
G	D605-0021	CLU	2005/02/01