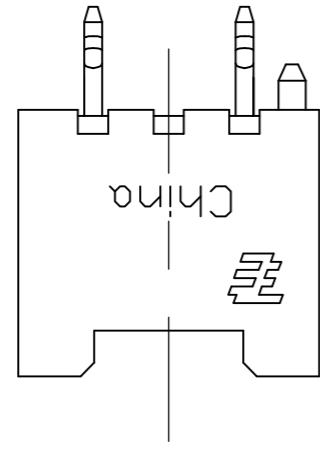
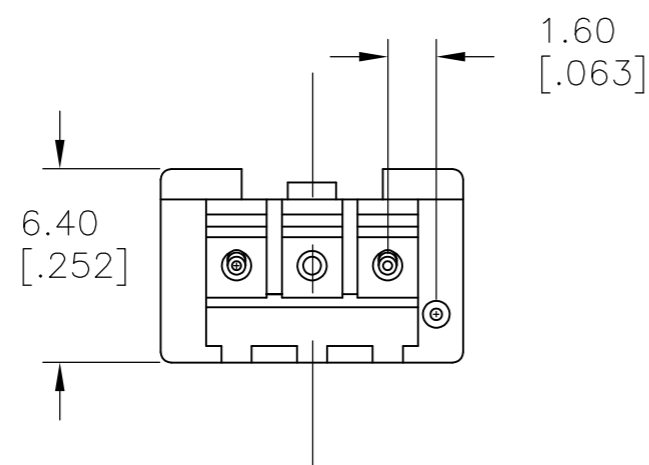
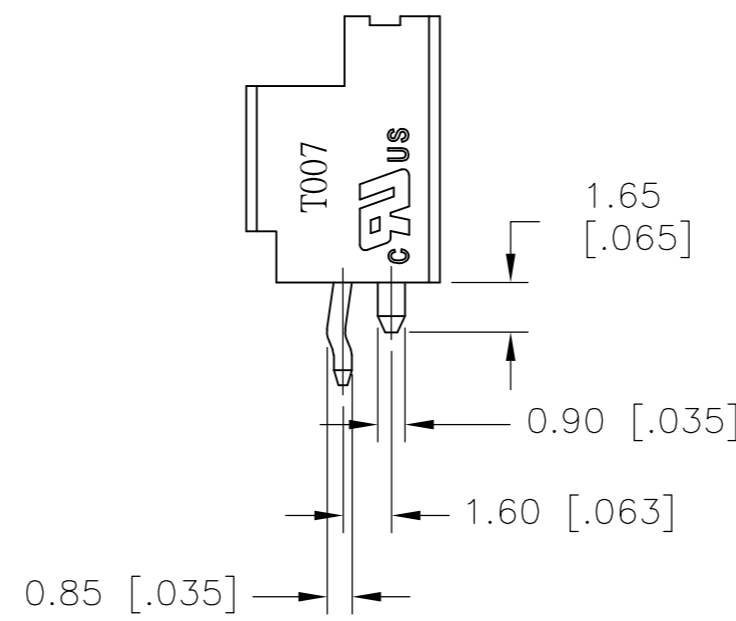
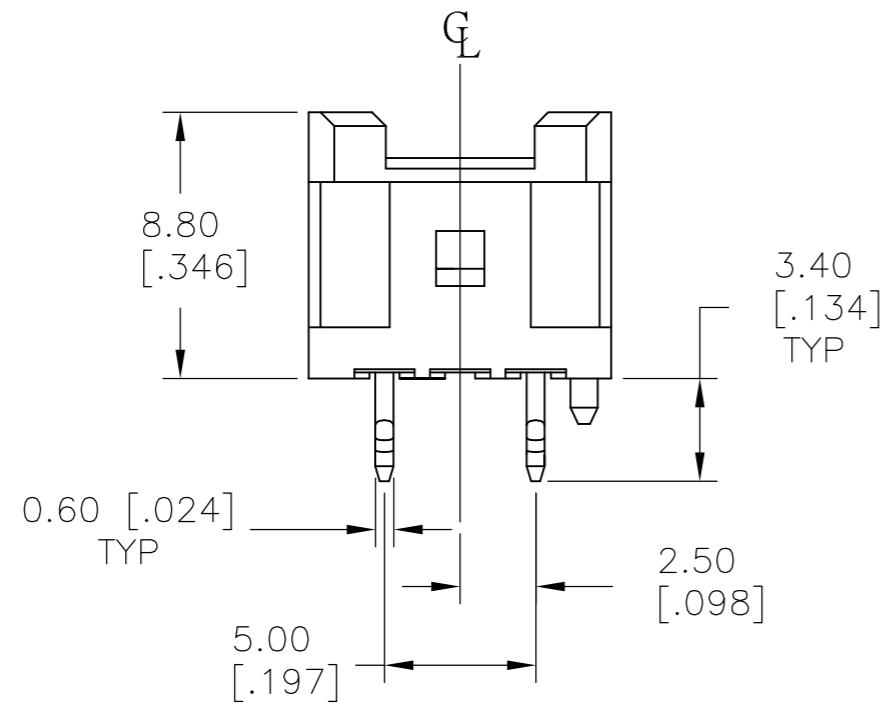
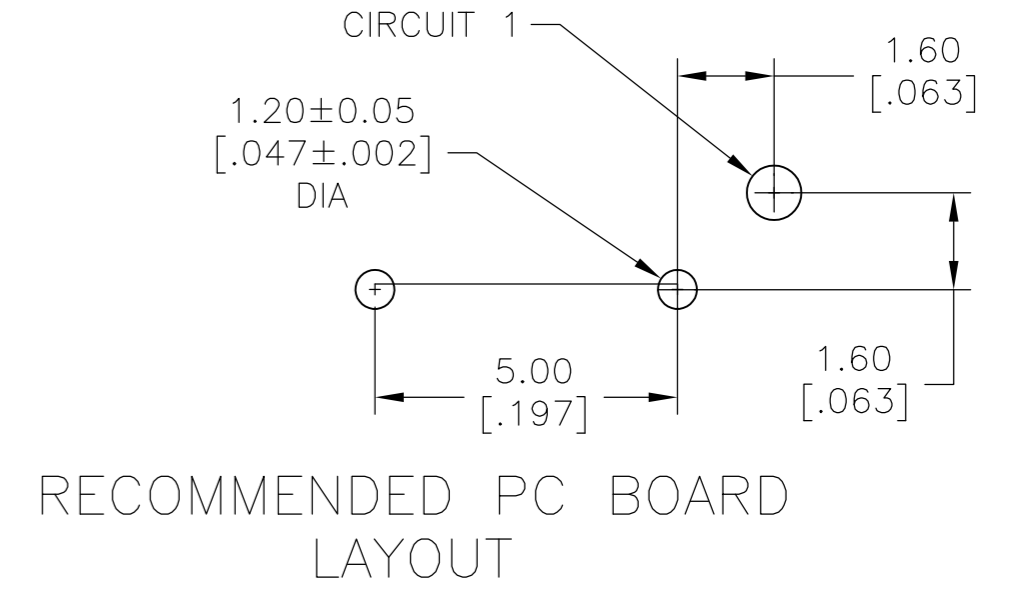
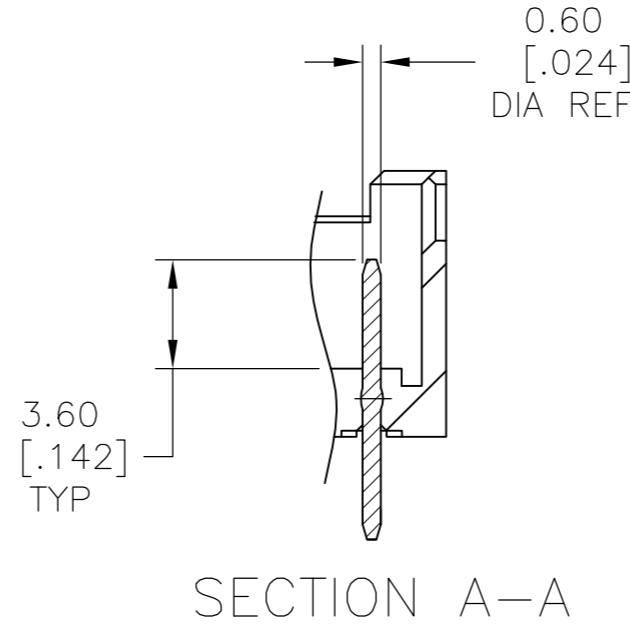
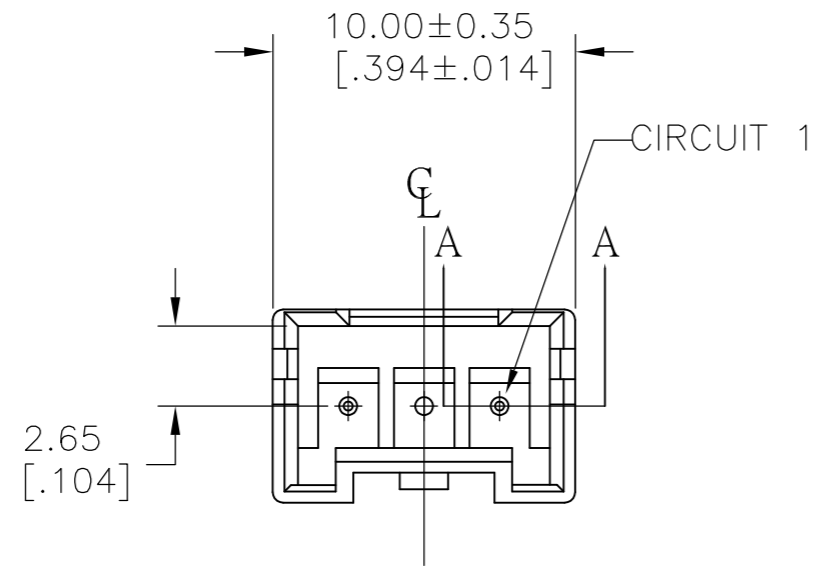


THIS DRAWING IS UNPUBLISHED. RELEASED FOR PUBLICATION
 © COPYRIGHT - By - ALL RIGHTS RESERVED.

LOC		DIST		REVISIONS			
P	LTR	DESCRIPTION		DATE	DWN	APVD	
AF	58	A1	REVISED PER ECO-11-023522	22NOV11	JR	SM	



1 MATERIAL: NYLON 66, UL94, V0, COLOR-WHITE



2	1744403-1
OMITTED POSTS	PART NUMBER

THIS DRAWING IS A CONTROLLED DOCUMENT.		DWN	JR RUTH	18AUG2011		TE Connectivity	
DIMENSIONS: mm [INCHES]		CHK	SAM MACE	18AUG11		NAME	
TOLERANCES UNLESS OTHERWISE SPECIFIED:		APVD	SAM MACE	18AUG11		HEADER ASSEMBLY, VERTICAL, ECONOMY POWER, 2.5mm, CENTERLINE SELECT LOADED, 3 POS.	
0 PLC ± - 1 PLC ± 0.3 2 PLC ± 0.20 3 PLC ± 0.100 4 PLC ± - ANGLES ± - FINISH -		PRODUCT SPEC	-	APPLICATION SPEC		-	RESTRICTED TO
MATERIAL -		WEIGHT	-	SCALE	A2	CAGE CODE	00779
CUSTOMER DRAWING		SCALE	4:1	SHEET	1 OF 1	REV	A1