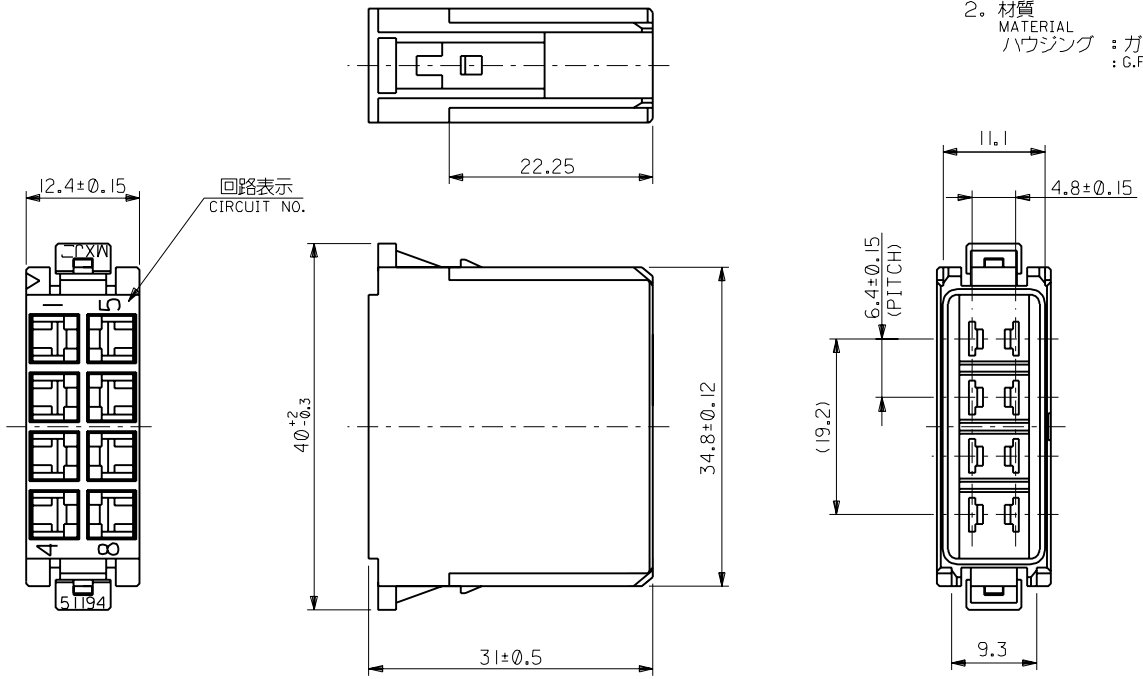


注記
NOTES.

- 適合ターミナル : 50638-9*49 (被覆外径 $\phi 2.8 \sim \phi 3.8$)
: 59320-9*90 (被覆外径 $\phi 2.2 \sim \phi 2.7$)
APPLICABLE TERMINAL : 50638-9*49 (INSULATION DIAMETER $\phi 2.8 \sim \phi 3.8$)
: 59320-9*90 (INSULATION DIAMETER $\phi 2.2 \sim \phi 2.7$)
- 材質
MATERIAL
ハウジング : ガラス入りナイロン66 UL94V-0 色:自然色
: G.F. NYLON UL94V-0 COLOR : NATURAL



51194-0800	51194-0800
------------	------------

MATERIAL NO	MODEL NO
-------------	----------

DIMENSIONS:		SHT	REV
<input type="checkbox"/> mm	<input type="checkbox"/> INCH	<input checked="" type="checkbox"/> mm	<input type="checkbox"/> ONLY
		REVISE ON CAD ONLY	

DO NOT SCALE DRAWING

EC NO. DRWN: CHK: APPR:	REVISED '99/07/28 EC NO. JD00118 DRWN: SAKIYAMA CHK: YO, ITO APPR: HIKESUGI	REVISED '99/03/25 EC NO. JD91284 DRWN: SAKIYAMA CHK: YO, ITO APPR: HIKESUGI	REVISED '98/12/23 EC NO. JD90894 DRWN: Y. TETSUKA CHK: SAKIYAMA/YO, ITO APPR: HIKESUGI	RELEASED '98/9/9 EC NO. JD90376 DRWN: JMIYAZAWA CHK: YO, ITO APPR: HIKESUGI
----------------------------------	---	---	--	---

MATERIAL 材料	注記参照 SEE NOTES.
FINISH 仕上り	—
WIRE RANGE 適用線径範囲	—
INS. RANGE 被覆外径	—

GENERAL TOLERANCES: (UNLESS SPECIFIED) 一般公差		SCALE 2-1	DESIGN UNITS <input checked="" type="checkbox"/> mm <input type="checkbox"/> INCH	THIRD ANGLE PROJECTION
10 UNDER 未満	+0.2	DRAWN BY & DATE <i>Sh. Ota</i> '98/9/9		TITLE: POWER CONN. 8P PIN HOUSING
10 OVER 以上	+0.25	CHECKED BY & DATE <i>Sh. Ota</i>		
30 OVER 以上	+0.3	APPROVED BY & DATE <i>Sh. Ota</i>		
ANGLE 角度	+3°	CAD FILE NAME 51194002.S01	MATERIAL NO. SEE CHART	DRAWING NO. SD-51194-002

MOLEX INCORPORATED			SHEET NO. 1 OF 1
THIS DRAWING CONTAINS INFORMATION THAT IS PROPRIETARY TO MOLEX INCORPORATED AND SHOULD NOT BE USED WITHOUT WRITTEN PERMISSION.			SIZE B