

LDR2	Direct Lighting
LDR2-LA	
LDR-LA1	
SQR	
SQR-TP	
HLDR-IP	Convergent Lighting
HPR2	Diffused Lighting
HPR	
LFR	
LKR	
FPR	
FPQ2	Direct Lighting
LDL2	
LDLB	
HLDL2	
TH	
LFL	Diffused Lighting
HPD2	
HPD	
LDM2	
LAV	
PDM	
LFX2	
LFV3	Collimated Lighting
LFV2	
MSU	
MFU	
UV2	
UV	Ultraviolet Lighting
LNSP-UV-FN	
IR2	Infrared Lighting
HLV2	
LV	Spot Lighting, Etc.
LSP	
HFS/HFR	
HLV2-NR	
HLV2-3M-RGB-3W	
PFB2	Convergent Lighting
PFBR	
LNSP	
CU-LNSP	
LNSP-FN	
LN/LN-HK	Diffused Lighting
LNSD	
LND2	
HLND	
LT	
LNW/HLDN	Oblique Angled Lighting
LNIS	
LNIS-FN	Lenses
Telecentric Lens	
Macro Lens	

Dome Lights

HPD series

Refer to our website for product details.

CCS HPD

Search



You can also use your smartphone or cell phone.

Use a search engine.

The Dome Light HPD series is scheduled to be discontinued on December 31, 2015.

Provides diffused light evenly through the dome-shaped reflective panel



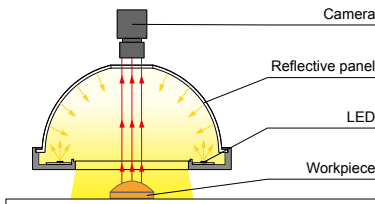
Applications

Inspection for visual/text/color determination on glossy surfaces, curved surfaces, or uneven surfaces, inspection for engraving/damage/stains on stain finishing, visual inspection for metal with hairline finishing, and inspection for parts on circuit boards, etc.

Characteristics

Light from the surface-mounted LEDs is reflected inside the dome-shaped reflective panel. The diffused light from the wide uniform region is illuminated onto the workpiece surface evenly.

Example configuration (HPD-150)



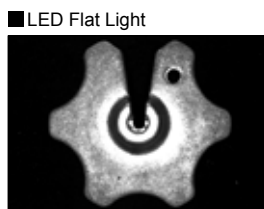
We accept custom orders. Please feel free to inquire.

- Change to format
- Increase brightness
- Change to wavelength, etc.

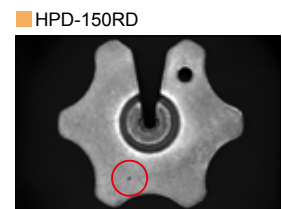
Imaging example: Exterior imaging for metal parts



Workpiece: Metal parts



It is difficult to illuminate the whole thing evenly to form an image of the exterior.



It is possible to illuminate the whole thing evenly to form an image of the exterior.

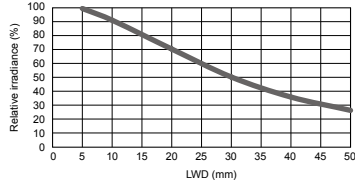
Data: Relative irradiance graph/Uniformity graph (Representative example)

* The graph included is for reference only and does not guarantee the quality of this product.

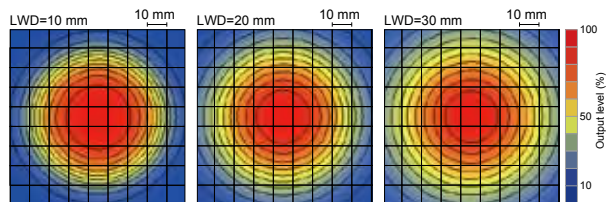
HPD-100SW

Relative irradiance graph^{*1} (LWD Characteristics)^{*2}

*1: Irradiance on the optical axis
*2: Illuminating distance from the Light Unit to the workpiece



Uniformity graph (Relative irradiance)



We have various materials.

- PDF Drawings
- DXF Drawings
- 3D CAD
- Instruction Guides
- Product Filers
- Imaging Samples
- Data Sheets
- Examples of Custom Ordered Products

Download here. <http://www.ccs-grp.com/dl/>

The Dome Light HPD series is scheduled to be discontinued on December 31, 2015.

Lineup

Model name	LED color	Power consumption	Peak wavelength/ correlated color temperature	Options	Recommended Control Units	Weight
HPD-100RD	Red	24 V / 9.0 W	625 nm	-	<div style="border: 1px solid black; padding: 2px;">PD3</div> <div style="border: 1px solid black; padding: 2px;">CC-ST-1024*</div>	160 g
HPD-100SW	White	24 V / 14 W	5,500 K		<div style="border: 1px solid black; padding: 2px;">PSB</div>	
HPD-100BL	Blue		470 nm			
HPD-150RD	Red	24 V / 16 W	625 nm	-	<div style="border: 1px solid black; padding: 2px;">PD3</div>	285 g
HPD-150SW	White	24 V / 20 W	5,500 K		<div style="border: 1px solid black; padding: 2px;">PSB</div>	
HPD-150BL	Blue		470 nm			
HPD-250RD	Red	24 V / 25 W	625 nm	-	<div style="border: 1px solid black; padding: 2px;">PD3</div>	650 g
HPD-250SW	White	24 V / 37 W	5,500 K		<div style="border: 1px solid black; padding: 2px;">PSB*</div>	
HPD-250BL	Blue		470 nm			
HPD-400RD	Red	24 V / 25 W	625 nm	-	<div style="border: 1px solid black; padding: 2px;">PD3</div>	1,300 g
HPD-400SW	White	24 V / 41 W	5,500 K		<div style="border: 1px solid black; padding: 2px;">PSB*</div>	
HPD-400BL	Blue		470 nm			

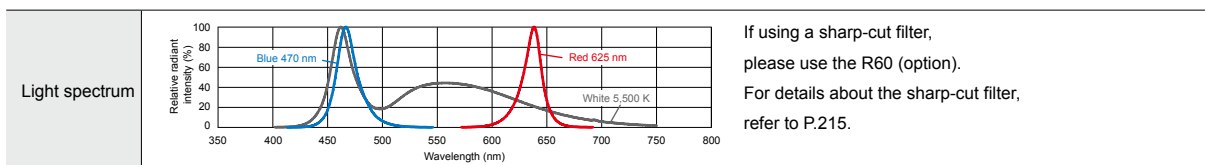
* Please inquire if you would like to use in combination with a Strobe Control Unit (override type).

Extension Cables ▶ P.222

Control Unit Selection Guide ▶ P.181

Control Unit Page ▶ P.185

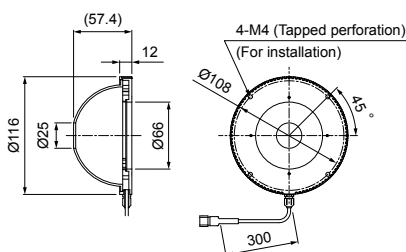
LED properties



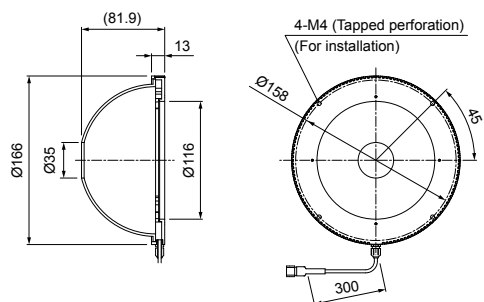
Be sure to read the "Instruction Guide" included with the product before use and observe cautionary information. The data included is for reference only and does not guarantee the quality of this product.

Dimensions (mm)

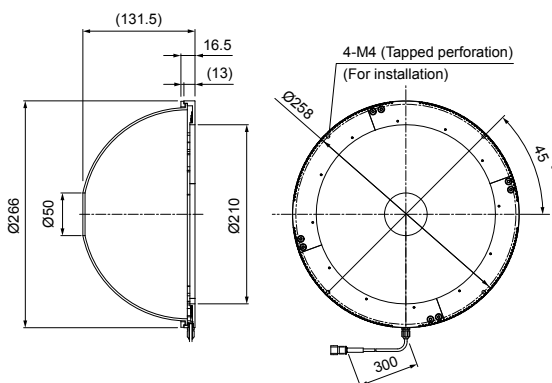
HPD-100RD/SW/BL



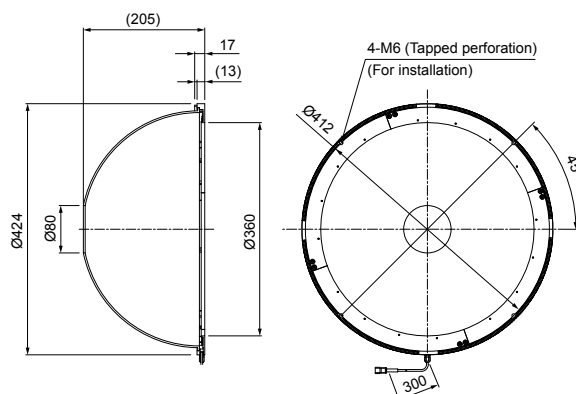
HPD-150RD/SW/BL



HPD-250RD/SW/BL



HPD-400RD/SW/BL



You can change the connectors of the Light Unit cable. Choose between M12 connectors and flying leads. Refer to P.125 for details.

You can inquire using our website.

Requests for Light Unit Selection

Requests for Loan Products

Requests for Estimates

Requests for a Catalog

Product Inquiries

Other Inquiries

Inquire on our website here.
<http://www.ccs-grp.com/contact/>

Direct Lighting
LDR2
LDR2-LA
LDR-LA1
SQR
SQR-TP

Convergent Lighting
HLDR-IP

Diffused Lighting
HPR2
HPR
LFR
LKR
FPR
FPQ2

Direct Lighting
LDL2
LDLB
HLDL2

Diffused Lighting
TH
LFL
HPD2
HPD
LDM2
LAV
PDM
LFX2
LFV3
LFV2

Calculated Lighting
MSU
MFU

Ultraviolet Lighting
UV2
UV

Infrared Lighting
LNSP-UV-FN
IR2

Spot Lighting, Etc.
HLV2
LV

Spot Lighting, Etc.
LSP
HFS/HFR
HLV2-NR
HLV2-3M-RGB-3W
PFB2
PFBR

Convergent Lighting
LNSP
CU-LNSP
LNSP-FN
LN/LN-HK

Diffused Lighting
LNSD
LND2
HLND
LT
LNV/HLDN

Oblique Angled Lighting
LNIS

Lenses
LNIS-FN
Telecentric Lens
Macro Lens