

BASIC PART NUMBER:

10017657-20XXX—X L F

RoHS COMPLIANT SPECIFICATION (SEE NOTE 4)

OPTION

(BLANK : NO CUSTOMIZATION)

(: CUSTOMIZED REQUEST)

CARDBUS: 0 — NO
1 — YES

INSULATOR: 0 — NO
1 — FCI LONG
2 — FCI SHORT
3 — CUSTOMIZED

LABEL RECESS: 0 — NO
1 — YES(LONG, 66x42mm)
2 — YES(SHORT, 63x42mm)

OPEN END

CARD TYPE: II

NOTES:

1. CARDSHIELD: STAINLESS STEEL, THICKNESS 0.2MM, SURFACE FINISH: MATTE.
2. FRAME BAR: PPO OR PA46, COLOR BLACK, UL94V-0.
3. INSULATOR: POLYESTER FILM WITH ADHESIVE, 3M 1350 OR EQUIVALENT.
4. 10017657-20XXX-XX IS SIMILAR TO 10017657-20XXX-XLF
 THE SUFFIX " LF " IS ADDED FOR LEAD FREE IDENTIFICATION,
 THIS PRODUCT MEETS EUROPEAN UNION DIRECTIVES AND OTHER
 COUNTRY REGULATIONS AS PER GS-22-008.
5. PACKING SPEC. PER GS-14-775.

| mat'l code | | | | tolerance unless otherwise specified | | | | CUSTOMER COPY | | FCI www.fciconnect.com | |
|------------|----------|----|----------|--------------------------------------|------------|----------|---------|----------------|---------------|----------------------------------|--|
| rev. | ecn no. | dr | date | linear | | | | projection | title | | |
| C | T03-0111 | WL | 04/03/03 | | | | | | ROCARD SHIELD | | |
| D | T03-0290 | WL | 07/15/03 | | | | | | | | |
| E | T03-0314 | WL | 08/05/03 | angles | | | | | | | |
| F | T06-0056 | WL | 04/03/06 | dr | WENDY CHEN | 10/21/02 | unit | product family | | code | |
| G | T06-0093 | WL | 05/10/06 | engr | DAVID TENG | 10/21/02 | mm/inch | PCMCIA | | | |
| H | T06-0134 | WL | 07/12/06 | chr | TONY CHIEN | 10/21/02 | scale | size | dwg no. | | |
| | | | | appd | JENN TSAO | 10/21/02 | | A3 | 10017657 | | |
| sheet | revision | H | F | F | F | F | F | F | H | | |
| index | sheet | 1 | 2 | 3 | 4 | 5 | 6 | 7 | 8 | 9 | |
| | | | | | | | | | | 10 | |
| | | | | | | | | | | sheet 1 OF 10 | |

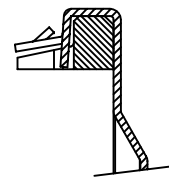
Tous droits strictement reserves. Reproduction ou communication a des tiers int sous quelque forme que ce soit sans autorisation écrite du propriétaire. Propriete de c BERG ELECTRONICS. Droits de reproduction BERG ELECTRONICS by
 All rights strictly reserved. Reproduction or issue to third parties in any for whatever is not permitted without written authority from the proprietor. Property of c BERG ELECTRONICS. Copyright BERG ELECTRONICS by



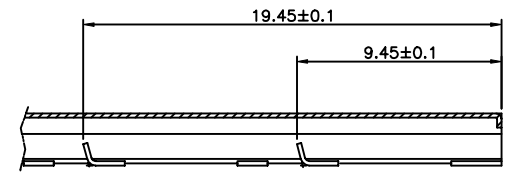
Tous droits strictement réservés. Reproduction ou communication a des tiers int sous quelque forme que ce soit sans autorisation écrite du propriétaire. Property of c BERG ELECTRONICS. Copyright BERG ELECTRONICS by

All rights strictly reserved. Reproduction or issue to third parties in any for whatever is not permitted without written authority from the proprietor. Property of c BERG ELECTRONICS. Copyright BERG ELECTRONICS by

| PRODUCT NUMBER | DIM A | DIM B | DIM C | DIM D | DIM E |
|------------------------------------|---------|----------|----------|-------|-------|
| 10017657-20110 OR 10017657-20110LF | 1.4±1.0 | 75.6 REF | 27.3 REF | 4.0 | 66 |
| 10017657-20120 OR 10017657-20120LF | 9.7±1.0 | 67.3 REF | 19.0 REF | 4.0 | 66 |
| 10017657-20210 OR 10017657-20210LF | 1.4±1.0 | 75.6 REF | 27.3 REF | 7.0 | 63 |
| 10017657-20220 OR 10017657-20220LF | 9.7±1.0 | 67.3 REF | 19.0 REF | 7.0 | 63 |



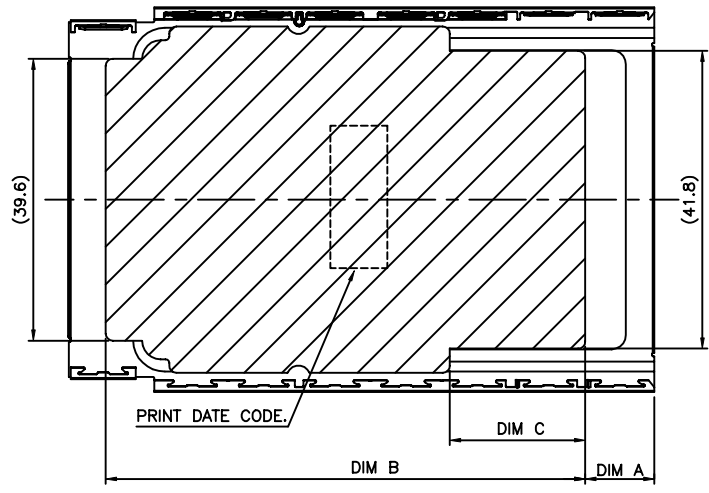
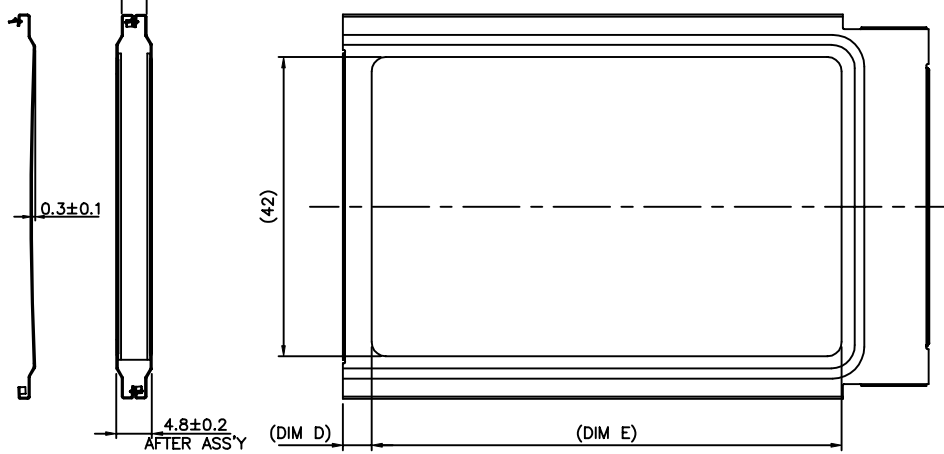
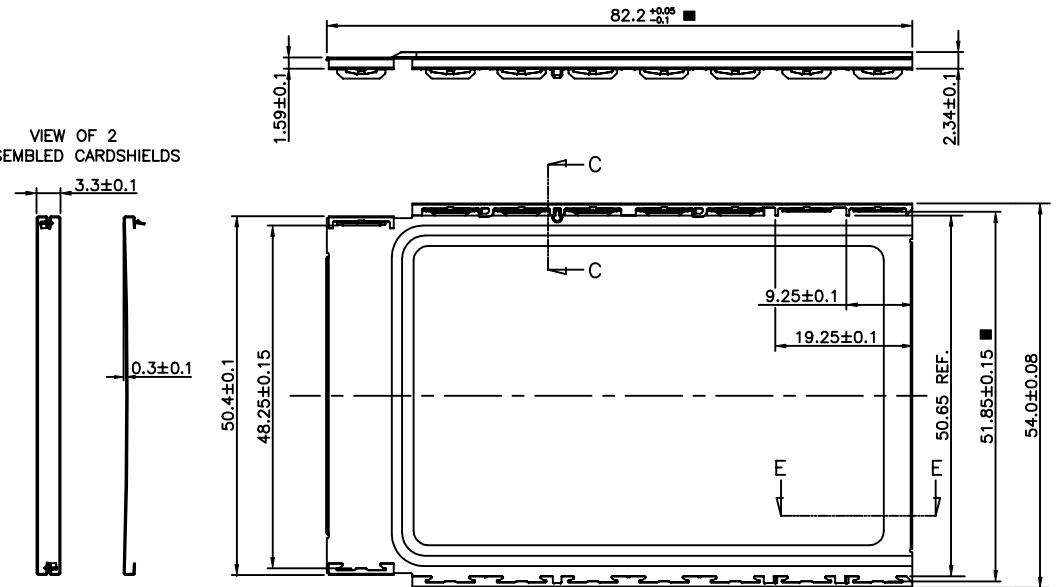
SEC. C-C
(SCALE 5:1)



SEC. E-E
(SCALE 3:1)

VIEW OF 2
ASSEMBLED CARDSHIELDS

VIEW OF 2
ASSEMBLED CARDSHIELDS



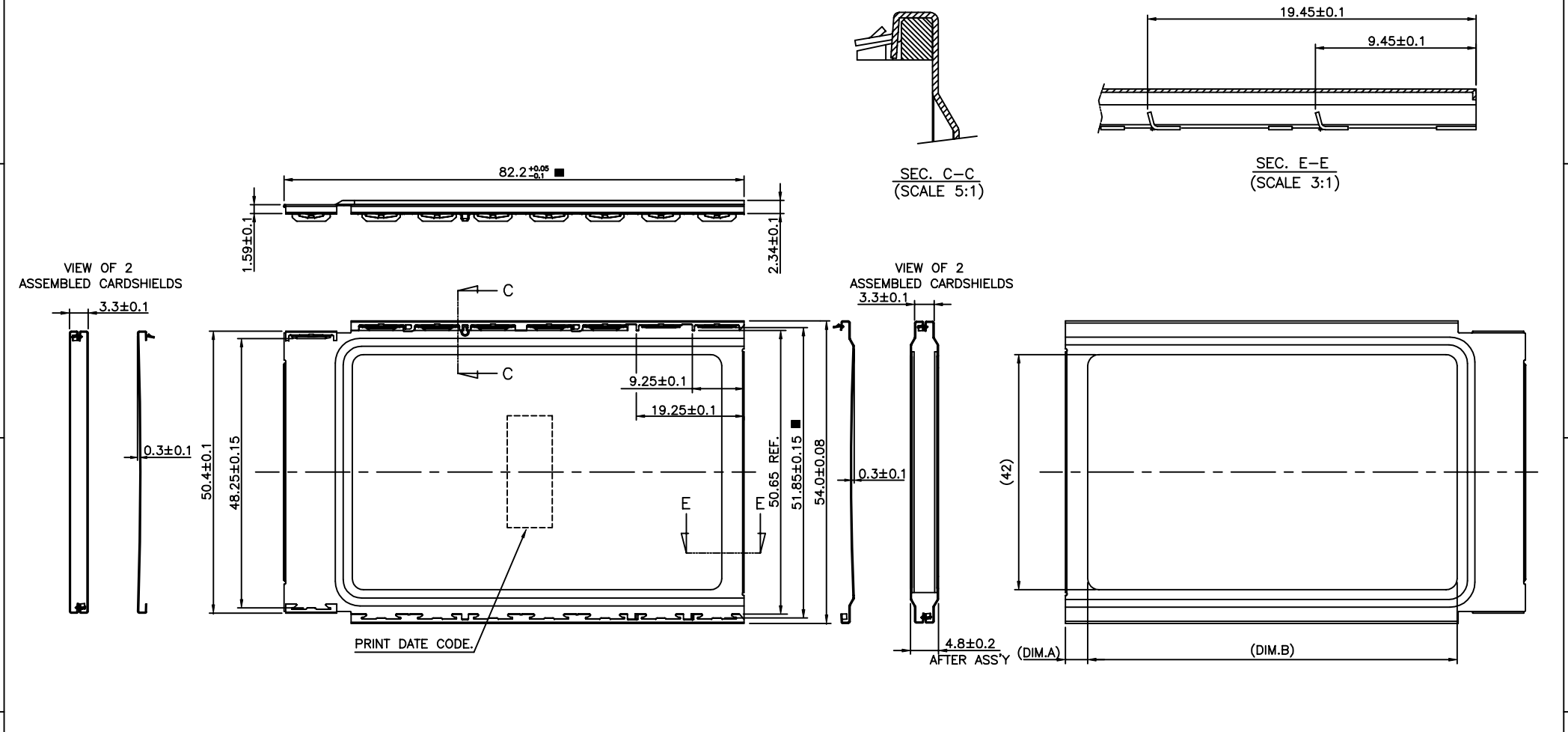
NOTE: 1. ■ : CPK MARK >= 1.5

| | | | | | | | | | | | | | |
|----------------------|--|----------------|--|--------------------------------------|--|---------------------|--|------------|--|----------------|--|--------------------|--|
| mat'l code | | | | tolerance unless otherwise specified | | | | CUSTOMER | | FCI | | www.fciconnect.com | |
| rev. ecn no. dr date | | | | linear | | X. ±0.3 | | COPY | | title | | | |
| F | | | | | | .X ±0.13 | | projection | | ROCARD SHIELD | | | |
| | | | | angles | | .XX ±0.05 | | ⊕ | | product family | | PCMCIA | |
| | | | | dr | | WENDY CHEN 10/21/02 | | unit | | mm/inch | | code | |
| | | | | enr | | DAVID TENG 10/21/02 | | size | | dwg no. | | sheet | |
| | | | | chr | | TONY CHIEN 10/21/02 | | scale | | A3 | | 10017657 | |
| | | | | appd | | JENN TSAO 10/21/02 | | | | | | 2 OF | |
| sheet index | | revision sheet | | | | | | | | | | | |

Tous droits strictement réservés. Reproduction ou communication a des tiers int
 sous quelque forme que ce soit sans autorisation écrite du propriétaire.
 Property of c BERG ELECTRONICS.
 Droits de reproduction BERG ELECTRONICS by

All rights strictly reserved. Reproduction or issue to third parties in any for
 whatever is not permitted without written authority from the proprietor.
 Property of c BERG ELECTRONICS.
 Copyright BERG ELECTRONICS by

| | | | | | |
|------------------------------------|---|-------|-------|---|---|
| 1 | 2 | 3 | 4 | 5 | 6 |
| PRODUCT NUMBER | | DIM.A | DIM.B | | |
| 10017657-20100 OR 10017657-20100LF | | 4.0 | 66 | | |
| 10017657-20200 OR 10017657-20200LF | | 7.0 | 63 | | |



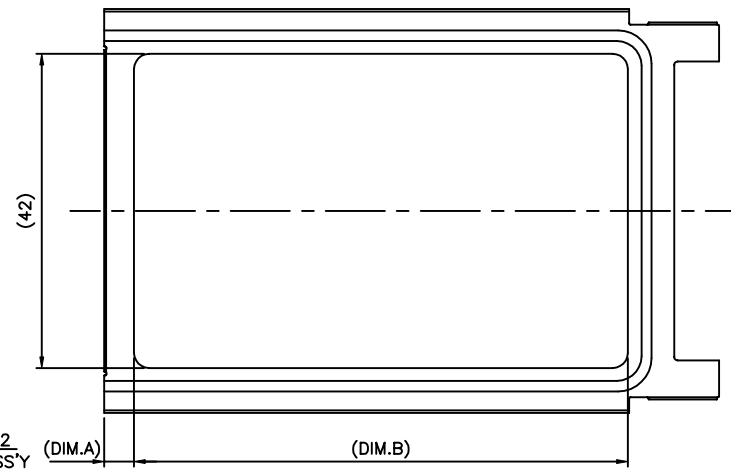
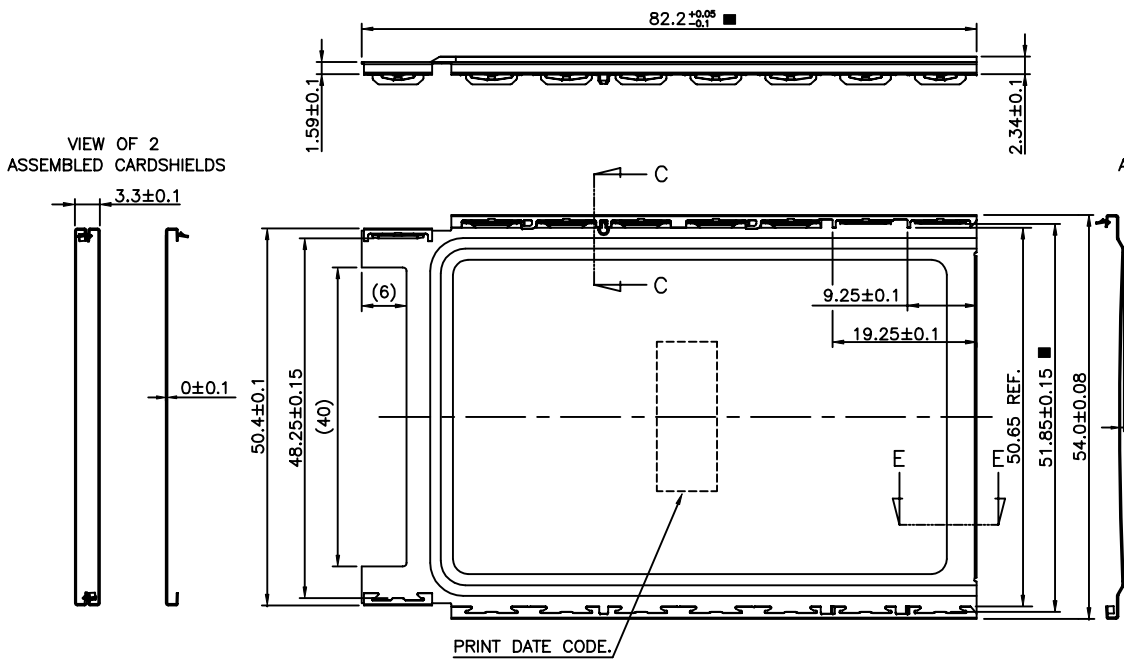
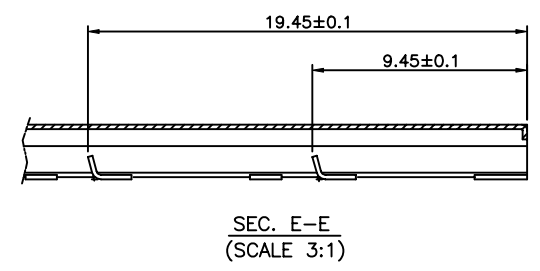
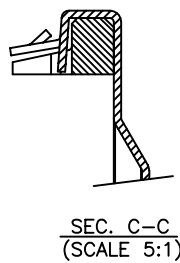
NOTE: 1. ■ : CPK MARK >= 1.5

| | | | | | | | | | | | | | |
|----------------------|--|----------|--|--------------------------------------|--|---------------------|--|------------|--|-----------------------|--|--------------------|--|
| mat'l code | | | | tolerance unless otherwise specified | | | | CUSTOMER | | A FCI | | www.fciconnect.com | |
| rev. ecn no. dr date | | | | linear | | X. ±0.3 | | COPY | | title | | | |
| F | | | | | | .X ±0.13 | | projection | | ROCARD SHIELD | | | |
| | | | | angles | | .XX±0.05 | | ⊕ | | product family PCMCIA | | | |
| | | | | | | ±2° | | | | code | | | |
| | | | | dr | | WENDY CHEN 10/21/02 | | unit | | size | | dwg no. | |
| | | | | enr | | DAVID TENG 10/21/02 | | mm/inch | | A3 | | 10017657 | |
| | | | | chr | | TONY CHIEN 10/21/02 | | scale | | | | sheet | |
| | | | | appd | | JENN TSAO 10/21/02 | | | | | | 3 OF | |
| sheet | | revision | | | | | | | | | | | |
| index | | sheet | | | | | | | | | | | |

Tous droits strictement réservés. Reproduction ou communication a des tiers int sous quelque forme que ce soit sans autorisation écrite du propriétaire. Property of c BERG ELECTRONICS. Droits de reproduction BERG ELECTRONICS by

All rights strictly reserved. Reproduction or issue to third parties in any for whatever is not permitted without written authority from the proprietor. Property of c BERG ELECTRONICS. Copyright BERG ELECTRONICS by

| | | | | | |
|------------------------------------|---|-------|-------|---|---|
| 1 | 2 | 3 | 4 | 5 | 6 |
| PRODUCT NUMBER | | DIM.A | DIM.B | | |
| 10017657-20101 OR 10017657-20101LF | | 4.0 | 66 | | |
| 10017657-20201 OR 10017657-20201LF | | 7.0 | 63 | | |



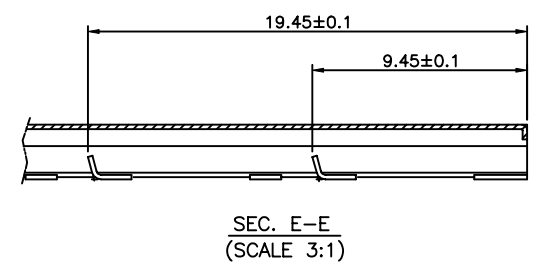
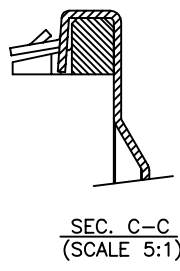
NOTE: 1. ■ : CPK MARK >= 1.5

| | | | | | | | | | |
|------------|----------|--------------------------------------|---------------------|---------------|-----------|------------------------|----------|-------|---------------|
| mat'l code | | tolerance unless otherwise specified | | CUSTOMER COPY | | www.fciconnect.com | | | |
| rev. | ecn no. | dr | date | linear | X. ±0.3 | projection | title | | |
| F | | | | | .X ±0.13 | | | | ROCARD SHIELD |
| | | | | | .XX ±0.05 | | | | |
| | | | | angles | ±2° | | | | |
| | | dr | WENDY CHEN 10/21/02 | unit | mm/inch | product family | PCMCIA | code | |
| | | enr | DAVID TENG 10/21/02 | size | A3 | dwg no. | 10017657 | sheet | |
| | | chr | TONY CHIEN 10/21/02 | scale | | | | 4 OF | |
| | | appd | JENN TSAO 10/21/02 | | | | | | |
| sheet | revision | | | | | | | | |
| index | sheet | | | | | | | | |

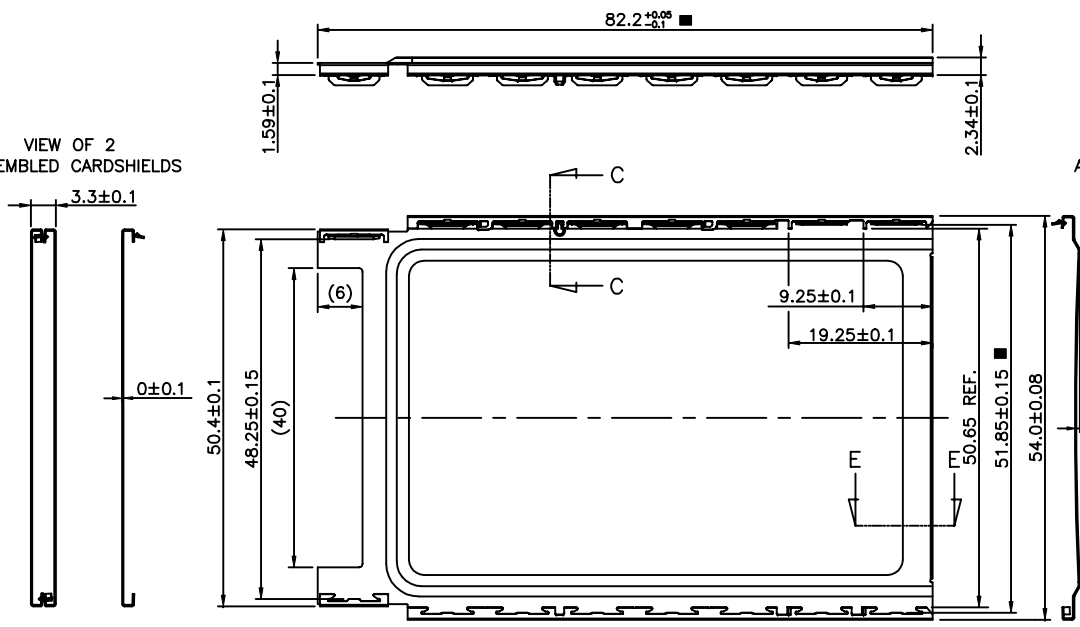
Tous droits strictement réservés. Reproduction ou communication à des tiers interdite sans autorisation écrite du propriétaire. Property of c BERG ELECTRONICS. Copyright BERG ELECTRONICS by

All rights strictly reserved. Reproduction or issue to third parties in any form without written authority from the proprietor. Property of c BERG ELECTRONICS. Copyright BERG ELECTRONICS by

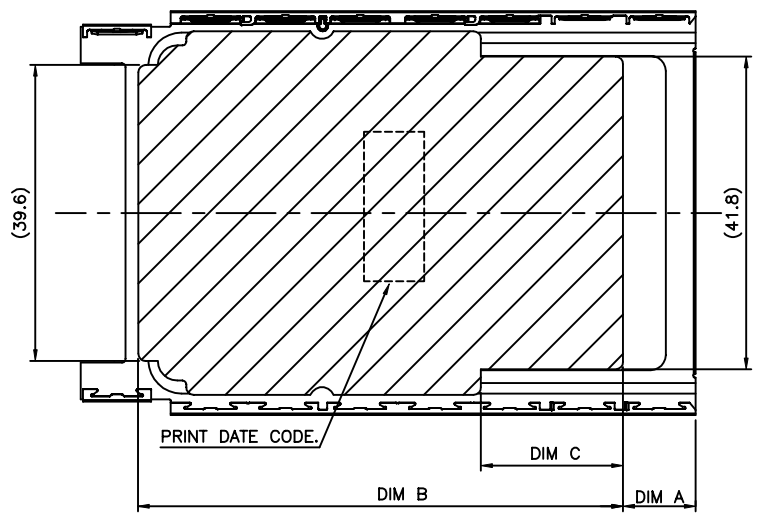
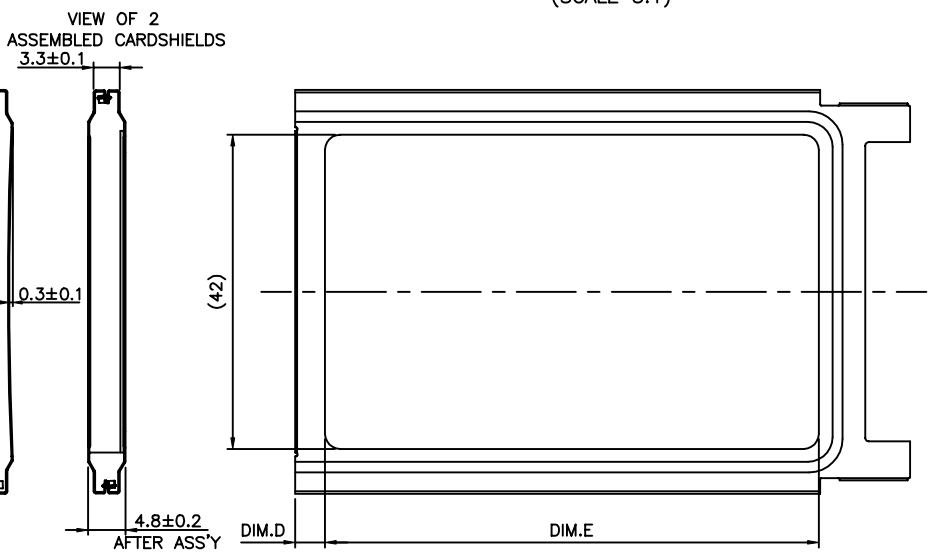
| PRODUCT NUMBER | DIM A | DIM B | DIM C | DIM D | DIM E |
|------------------------------------|---------|----------|----------|-------|-------|
| 10017657-20111 OR 10017657-20111LF | 1.4±1.0 | 73.1 REF | 27.3 REF | 4.0 | 66 |
| 10017657-20121 OR 10017657-20121LF | 9.7±1.0 | 64.8 REF | 19.0 REF | 4.0 | 66 |
| 10017657-20211 OR 10017657-20211LF | 1.4±1.0 | 73.1 REF | 27.3 REF | 7.0 | 63 |
| 10017657-20221 OR 10017657-20221LF | 9.7±1.0 | 64.8 REF | 19.0 REF | 7.0 | 63 |



VIEW OF 2 ASSEMBLED CARDSHIELDS



VIEW OF 2 ASSEMBLED CARDSHIELDS



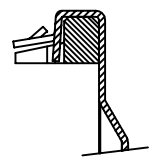
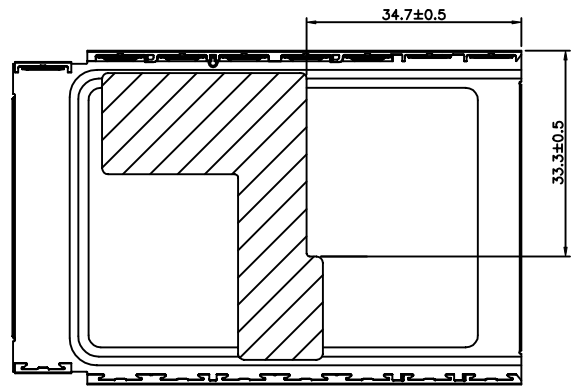
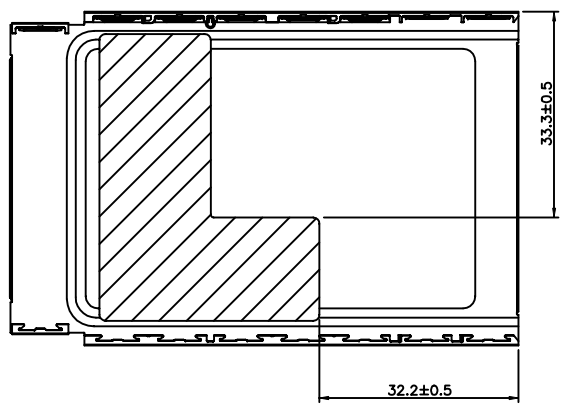
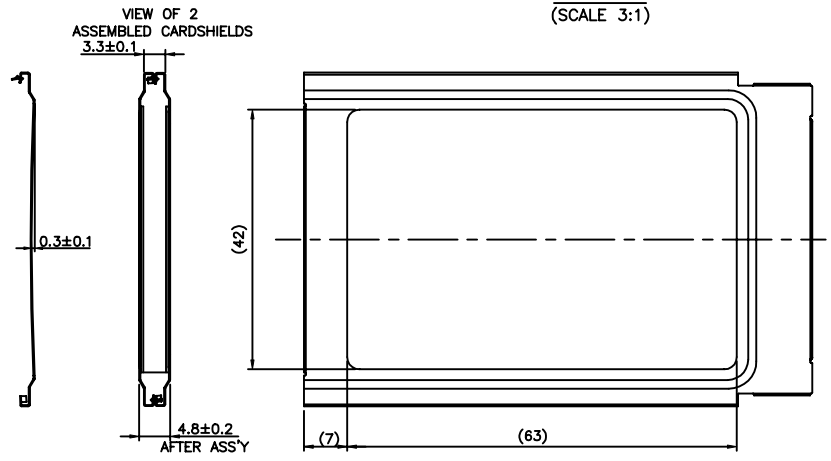
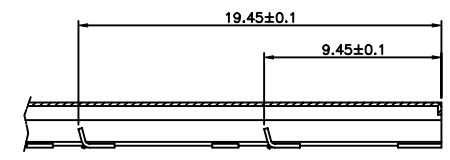
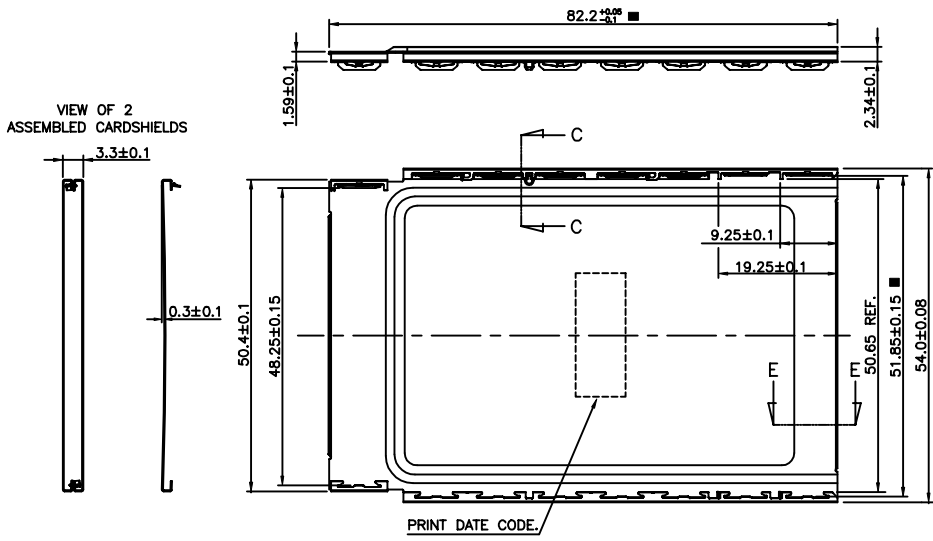
NOTE: 1. ■ : CPK MARK >= 1.5

| | | | | | | | | | | | | | |
|----------------------|--|----------|--|--------------------------------------|--|---------------------|--|------------|--|----------------|--|--------------------|--|
| mat'l code | | | | tolerance unless otherwise specified | | | | CUSTOMER | | A FCI | | www.fciconnect.com | |
| rev. ecn no. dr date | | | | linear | | X. ±0.3 | | COPY | | title | | | |
| F | | | | | | .X ±0.13 | | projection | | ROCARD SHIELD | | | |
| | | | | angles | | .XX±0.05 | | ⊕ | | product family | | PCMCIA | |
| | | | | dr | | WENDY CHEN 10/21/02 | | unit | | mm/inch | | code | |
| | | | | enr | | DAVID TENG 10/21/02 | | size | | dwg no. | | sheet | |
| | | | | chr | | TONY CHIEN 10/21/02 | | scale | | A3 | | 10017657 | |
| | | | | appd | | JENN TSAO 10/21/02 | | | | | | 5 OF | |
| sheet | | revision | | index | | sheet | | | | | | | |

Tous droits strictement réservés. Reproduction ou communication à des tiers interdite sans la permission écrite du propriétaire. Copyright BERG ELECTRONICS by

All rights strictly reserved. Reproduction or issue to third parties in any form without the written authority from the proprietor. Copyright BERG ELECTRONICS by

| | | | | | |
|---|---|-------------|---|---|---|
| 1 | 2 | 3 | 4 | 5 | 6 |
| PRODUCT NUMBER | | CISCO P/N | | | |
| 10017657-20230-C1 OR 10017657-20230-1LF | | 62-10960-01 | | | |
| 10017657-20230-C2 OR 10017657-20230-2LF | | 62-10962-01 | | | |



SEC. C-C (SCALE 5:1)

P/N: 10017657-20230-C1
OR
P/N: 10017657-20230-C1LF

P/N: 10017657-20230-C2
OR
P/N: 10017657-20230-C2LF

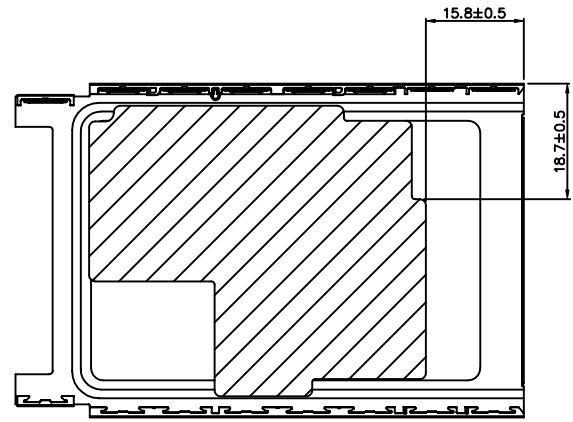
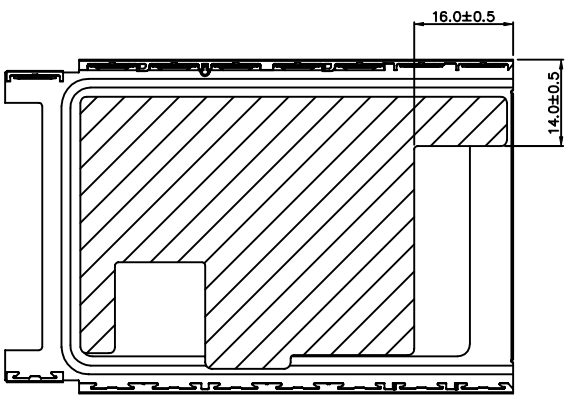
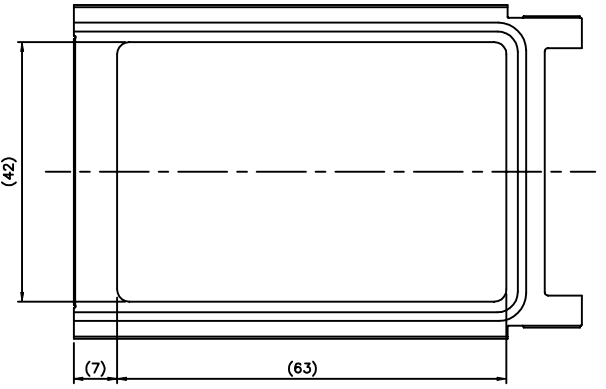
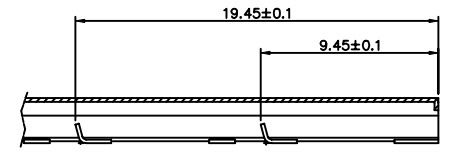
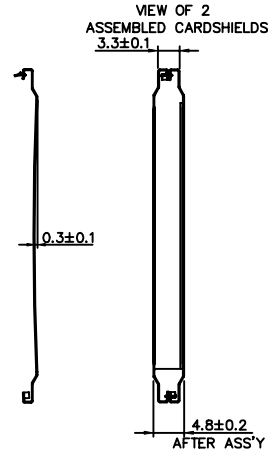
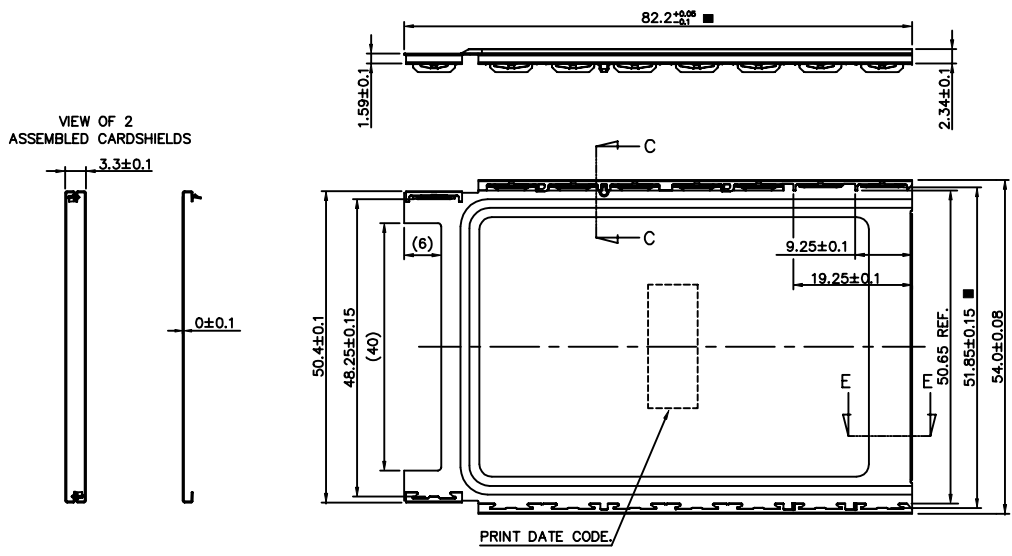
NOTE: 1. ■ : CPK MARK >= 1.5

| | | | | | | | | | |
|------------|----------|-----|----|--------------------------------------|--------|---------------|------------|------------------------|----------|
| mat'l code | | | | tolerance unless otherwise specified | | CUSTOMER COPY | | www.fciconnect.com | |
| rev. | ecn | no. | dr | date | linear | X. ±0.3 | projection | title | |
| F | | | | | | .X ±0.13 | | ROCARD SHIELD | |
| | | | | | angles | .XX ±0.05 | | CUSTOMIZED INSULATOR | |
| | | | | | dr | ±2° | unit | product family | code |
| | | | | | enr | | mm/inch | PCMCIA | |
| | | | | | chr | | scale | size | dwg no. |
| | | | | | appd | | | A3 | 10017657 |
| sheet | revision | | | | | | | | sheet |
| index | sheet | | | | | | | | 6 OF |

Tous droits strictement réservés. Reproduction ou communication a des tiers int sous quelque forme que ce soit sans autorisation écrite du propriétaire. Property of c BERG ELECTRONICS. Copyright BERG ELECTRONICS by

All rights strictly reserved. Reproduction or issue to third parties in any for whatever is not permitted without written authority from the proprietor. Property of c BERG ELECTRONICS. Copyright BERG ELECTRONICS by

| | | | |
|---|--|---------------|--|
| 1 PRODUCT NUMBER | | 2 CISCO P/N | |
| 10017657-20231-C1 OR 10017657-20231-1LF | | 62-10959-01 | |
| 10017657-20231-C2 OR 10017657-20231-2LF | | 62-10961-01 | |



P/N: 10017657-20231-C1
OR
P/N: 10017657-20231-C1LF

P/N: 10017657-20231-C2
OR
P/N: 10017657-20231-C2LF

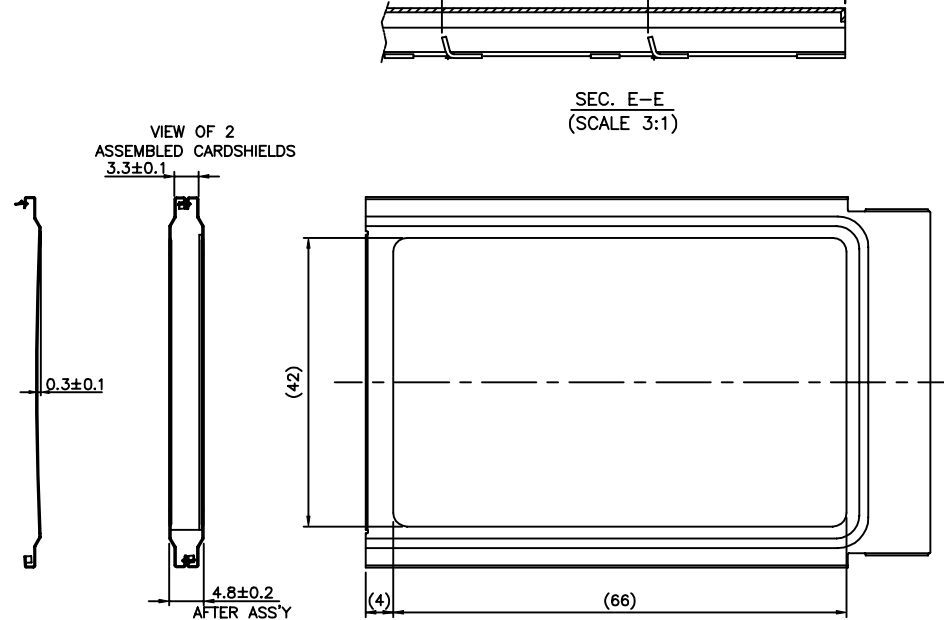
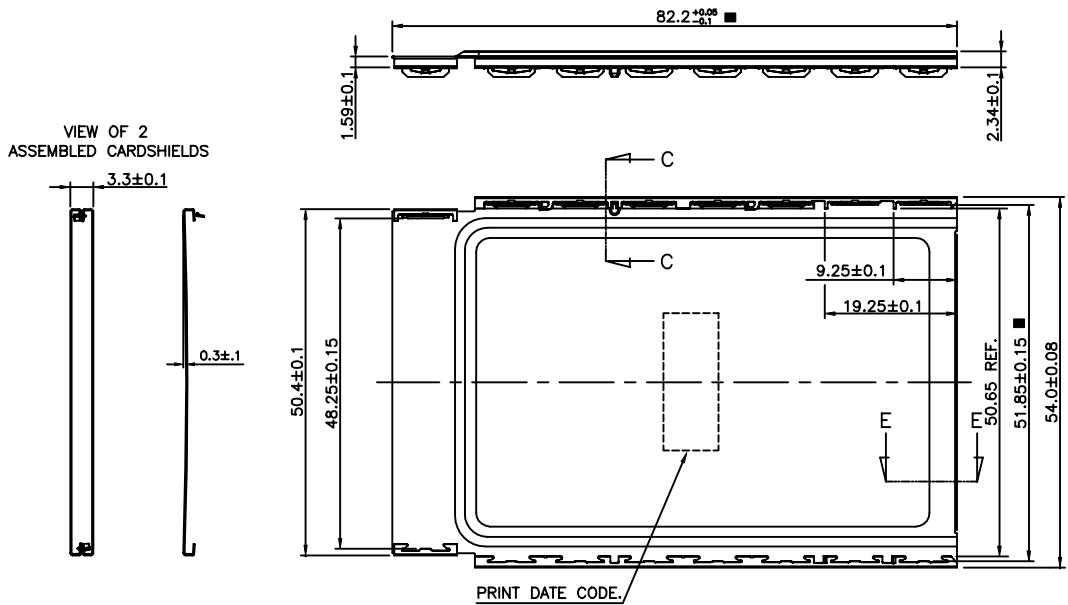
NOTE: 1. ■ : CPK MARK >= 1.5

| | | | | | | | | | | | |
|------------|----------|-----|----|--------------------------------------|--------|------------|----------|---------------|---------------------------------------|------------------------|-------|
| mat'l code | | | | tolerance unless otherwise specified | | | | CUSTOMER COPY | | www.fciconnect.com | |
| rev. | ecn | no. | dr | date | linear | X. ±0.3 | | projection | title | | |
| F | | | | | | .X ±0.13 | | | ROCARD SHIELD CUSTOMIZED INSULATOR | | |
| | | | | | angles | .XX±0.05 | | | product family | | code |
| | | | | | | ±2° | | | PCMCIA | | |
| | | | | | dr | WENDY CHEN | 04/03/03 | unit | size | | sheet |
| | | | | | enr | DAVD TENG | 04/03/03 | mm/inch | dwg no. | | 7 of |
| | | | | | chr | TONY CHIEN | 04/03/03 | scale | 10017657 | | |
| | | | | | appd | JENN TSAO | 04/03/03 | A3 | | | |
| sheet | revision | | | | | | | | | | |
| index | sheet | | | | | | | | | | |

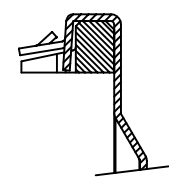
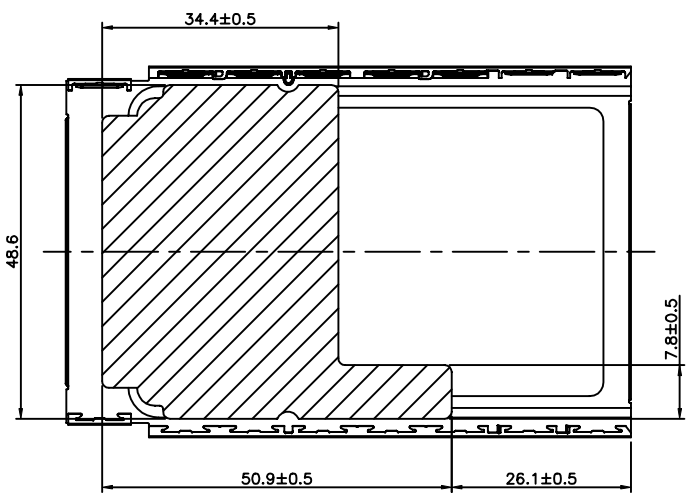
Tous droits strictement réservés. Reproduction ou communication à des tiers int
 sous quelque forme que ce soit sans autorisation écrite du propriétaire.
 Property of c BERG ELECTRONICS
 Copyright BERG ELECTRONICS by

All rights strictly reserved. Reproduction or issue to third parties in any for
 whatever is not permitted without written authority from the proprietor.
 Property of c BERG ELECTRONICS.
 Copyright BERG ELECTRONICS by

| | | | | | |
|---|---|-------------|---|---|---|
| 1 | 2 | 3 | 4 | 5 | 6 |
| PRODUCT NUMBER | | GEMTEK P/N | | | |
| 10017657-20130-G1 OR 10017657-20130-1LF | | 23-600-0027 | | | |



SEC. E-E
(SCALE 3:1)



SEC. C-C
(SCALE 5:1)

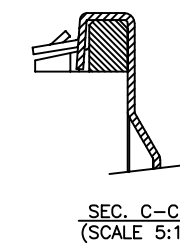
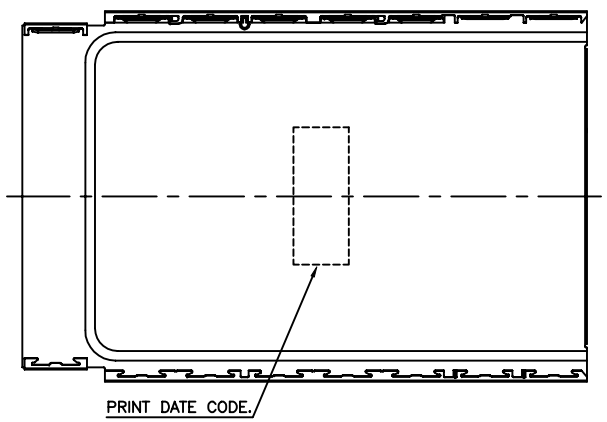
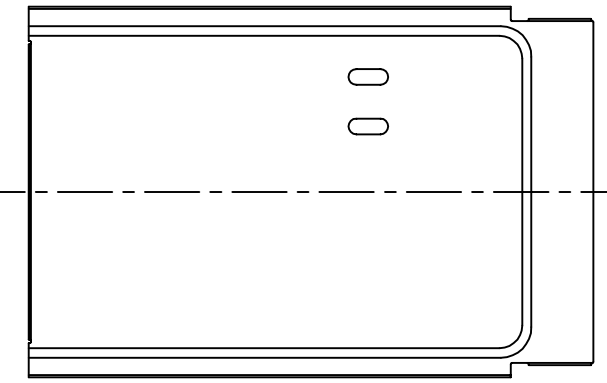
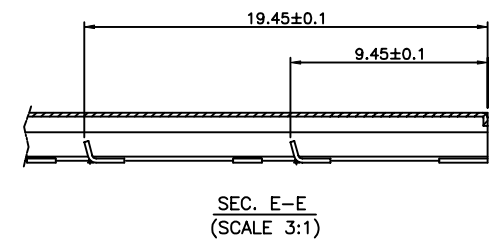
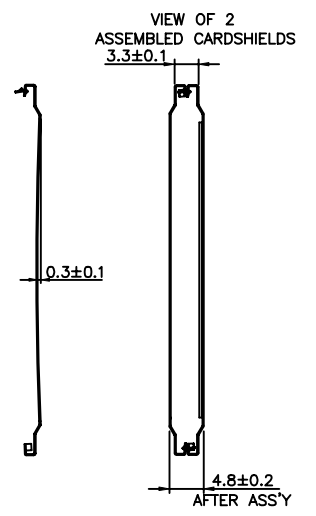
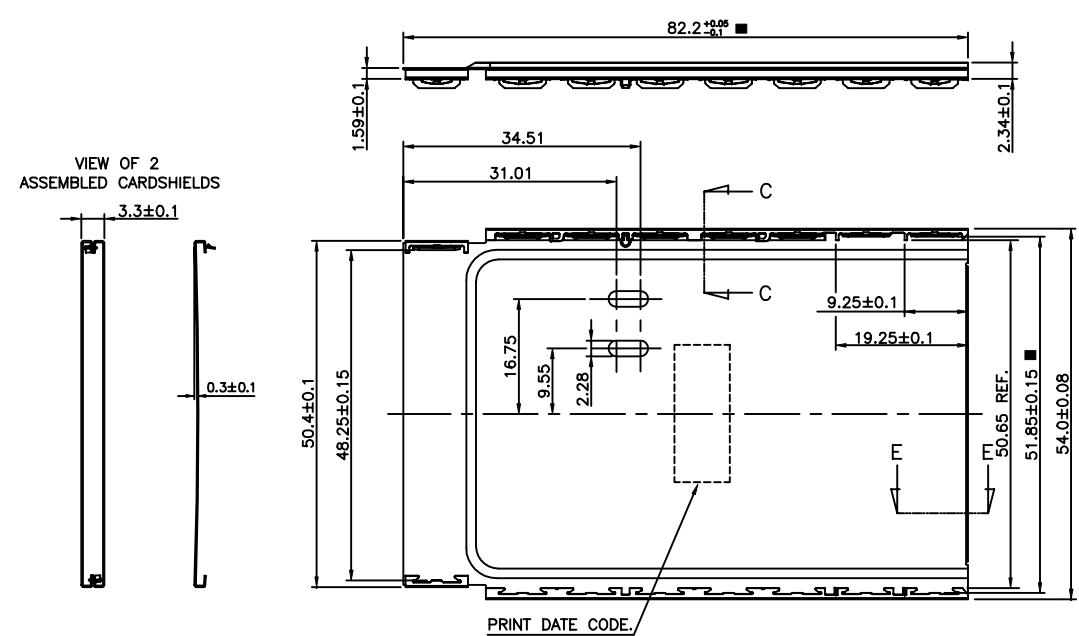
NOTE: 1. ■ : CPK MARK >= 1.5

| | | | | | | | |
|------------|----------|--------------------------------------|------|---------------|---------------------|------------------------|---------------------------------------|
| mat'l code | | tolerance unless otherwise specified | | CUSTOMER COPY | | www.fciconnect.com | |
| rev. | ecn no. | dr | date | linear | X. ±0.3 | projection | title |
| F | | | | | .X ±0.13 | | ROCARD SHIELD CUSTOMIZED INSULATOR |
| | | | | angles | .XX±0.05 | | product family |
| | | | | dr | ±2° | unit | code |
| | | | | enr | | mm/inch | size |
| | | | | chr | WENDY CHEN 07/15/03 | scale | dwg no. |
| | | | | appd | DAVID TENG 07/15/03 | A3 | 10017657 |
| sheet | revision | | | | JENN TSAO 07/15/03 | | sheet |
| index | sheet | | | | | | 8 OF |

Tous droits strictement réservés. Reproduction ou communication a des tiers int sous quelque forme que ce soit sans autorisation écrite du propriétaire. Property of c BERG ELECTRONICS. Copyright BERG ELECTRONICS by

All rights strictly reserved. Reproduction or issue to third parties in any for whatever is not permitted without written authority from the proprietor. Property of c BERG ELECTRONICS. Copyright BERG ELECTRONICS by

| | | | | | | | | | | | |
|---|--|--|--|---|--|---|--|---|--|---|--|
| 1 PRODUCT NUMBER | | 2 REMARK | | 3 | | 4 | | 5 | | 6 | |
| 10017657-20000 OR 10017657-20000LF | | STANDARD TYPE (NONE OVAL-SHAPE HOLE) | | | | | | | | | |
| 10017657-20000-01 OR 10017657-20000-1LF | | FOR NOVATEL SPECIAL REQUEST (WITH OVAL-SHPAE HOLE) | | | | | | | | | |



NOTE: 1. ■ : CPK MARK >= 1.5

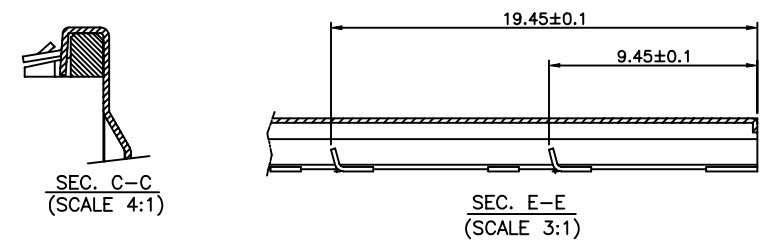
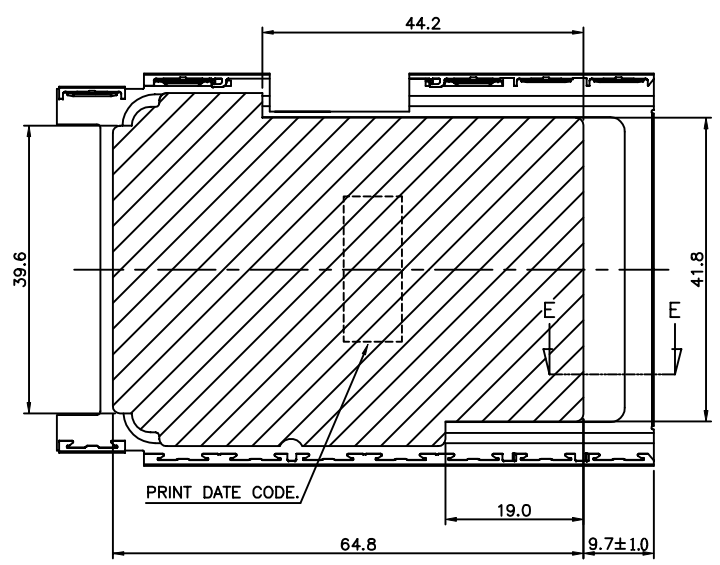
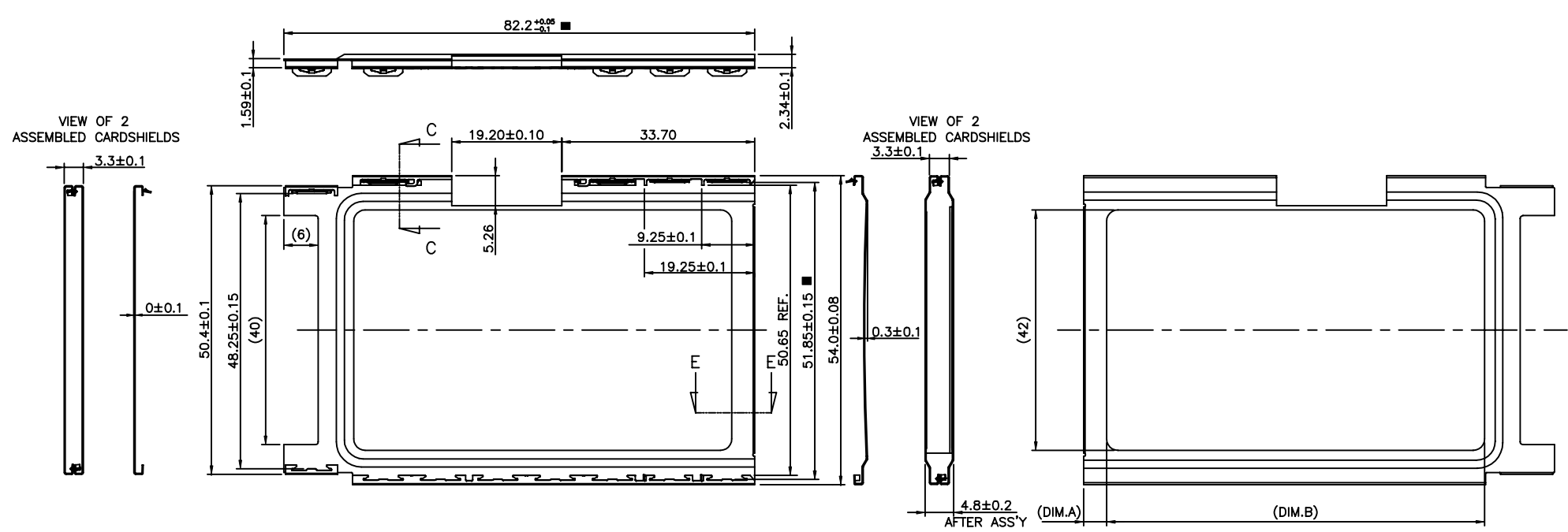
P/N: 10017657-20000 OR 10017657-20000LF

| | | | | | | | |
|-------------|----------------|--------------------------------------|------|---------------|----------------------|------------------------|-----------------------|
| mat'l code | | tolerance unless otherwise specified | | CUSTOMER COPY | | www.fciconnect.com | |
| rev. | ecn no. | dr | date | linear | X. ±0.3 | projection | title |
| F | | | | | .X ±0.13 | | |
| | | | | angles | .XX ±0.05 | | product family PCMCIA |
| | | | | dr | ±2° | | |
| | | | | enr | WENDY CHEN 04/03/06 | scale A3 | size 10017657 |
| | | | | chr | DAVID TENG 04/03/06 | | |
| | | | | appd | JOSEPH HSIA 04/03/06 | | |
| sheet index | revision sheet | | | | | | |

Tous droits strictement réservés. Reproduction ou communication a des tiers int sous quelque forme que ce soit sans autorisation écrite du propriétaire. Property of c BERG ELECTRONICS. Droits de reproduction BERG ELECTRONICS by

All rights strictly reserved. Reproduction or issue to third parties in any for whatever is not permitted without written authority from the proprietor. Property of c BERG ELECTRONICS. Copyright BERG ELECTRONICS by

| | | | | |
|--------------------|-------|-------|----------------------|-----------|
| PRODUCT NUMBER | DIM.A | DIM.B | FRAME | INSULATOR |
| 10017657-20201-1LF | 7.0 | 63 | YES WITH SPECIAL CUT | YES |



NOTE: 1. ■ : CPK MARK >= 1.5

P/N: 10017657-20201-1LF

| | | | | | | | |
|------------|----------|--------------------------------------|------|---------------|----------------------|------------------------|------------------------|
| mat'l code | | tolerance unless otherwise specified | | CUSTOMER COPY | | www.fciconnect.com | |
| rev. | ecn no. | dr | date | linear | X. ±0.3 | projection | title |
| H | | | | | .X ±0.13 | | ROCARD SHIELD |
| | | | | angles | .XX±0.05 | | CUSTOMIZED REQUIREMENT |
| | | | | dr | WENDY CHEN 05/10/06 | unit | product family |
| | | | | enr | DAVID TENG 05/10/06 | mm/inch | PCMCIA |
| | | | | chr | DAVID TENG 05/10/06 | scale | code |
| | | | | appd | JOSEPH HSIA 05/10/06 | A3 | 10017657 |
| sheet | revision | | | | | | dwg no. |
| index | sheet | | | | | | 100F |