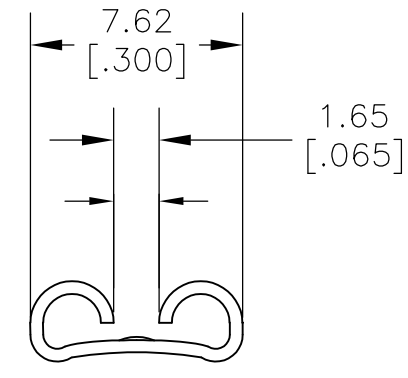
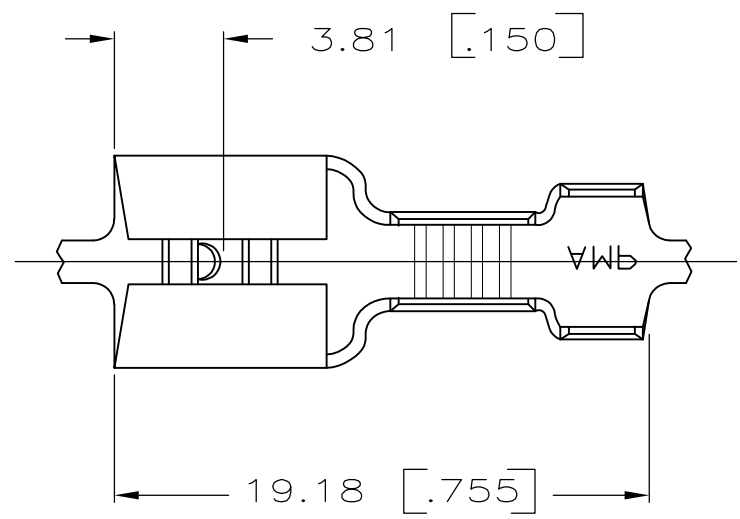
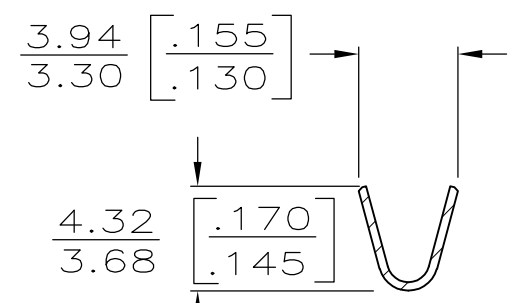
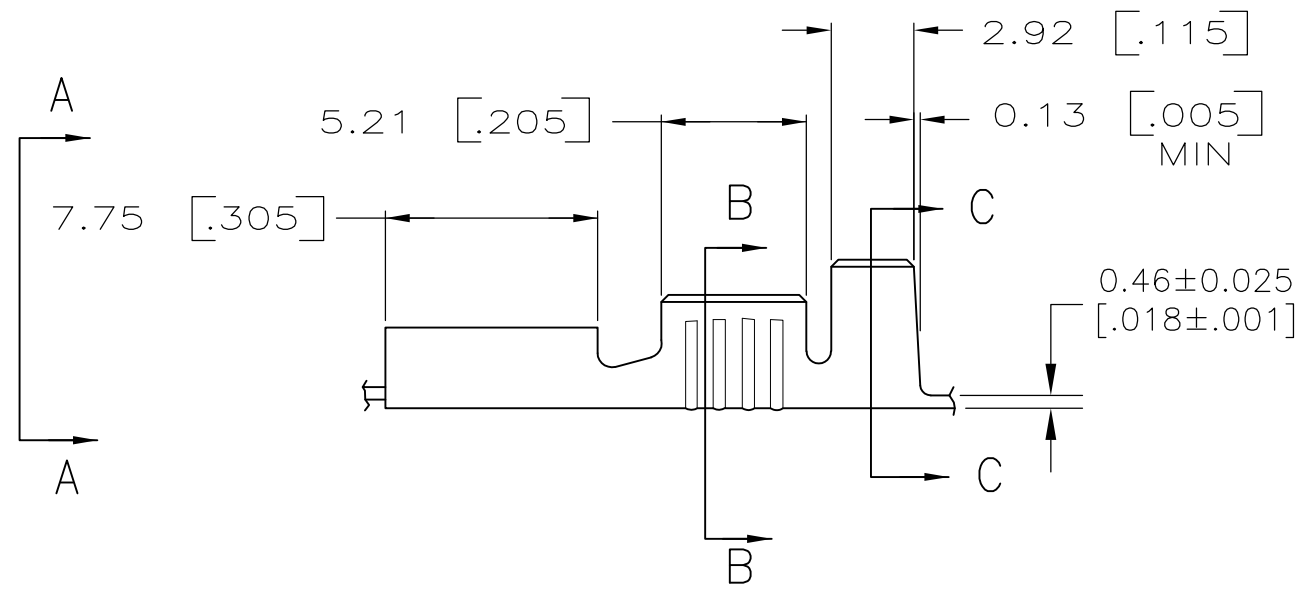


LOC	DIST	REVISIONS					
AF	50	P	LTR	DESCRIPTION	DATE	DWN	APVD
		U		REVISED PER ECR-11-018063	07DEC11	KH	PD

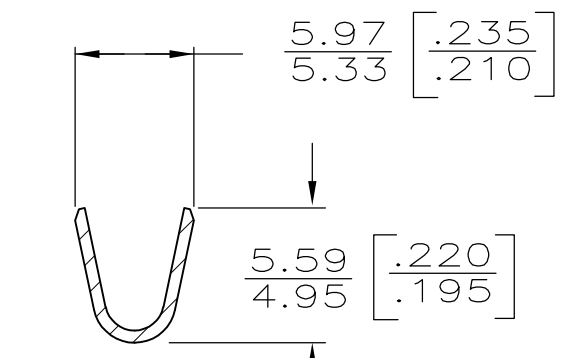
- DIM'S IN BRACKETS ARE IN INCHES
- CONTINUOUS STRIP ON REELS
- WIRE SIZE 0.8-2.0mm [#18-#14] AWG
- INSULATION RANGE IS 3.05-4.32 [.120-.170] DIA.
- MATING TAB THK IS 0.81±0.025 [.032±.001].
- 0.38 X 15° [.015 X 15°] SWAGE ON FRONT OF RECEPTACLE. FOR FOREIGN PRODUCTION ONLY.



VIEW A-A



SECT B-B



SECT C-C

△6	41274-1
	41274
	PART NO.

F OR O	4.57 [.180]	6.4 [.252]	F	3.05 [.120]	1.90 [.075]	2.0mm <sup>2</sup> [14]
					1.68 [.066]	1.3mm <sup>2</sup> [16]
					1.55 [.06]	0.8mm <sup>2</sup> [18]
TYPE	WIDTH	STRIP LENGTH ±.015	TYPE	WIDTH	±.051 [±.002] HEIGHT	WIRE
INSUL BARREL CRIMP			WIRE BARREL CRIMP			

THIS DRAWING IS A CONTROLLED DOCUMENT.	
DIMENSIONS: mm [INCHES]	TOLERANCES UNLESS OTHERWISE SPECIFIED:
	0 PLC ± -
	1 PLC ± -
	2 PLC ± -
	3 PLC ± 0.38 [.015]
	4 PLC ± -
	ANGLES ± -
MATERIAL BRASS	FINISH TIN

DWN JR RUTH 2/5/86	TE Connectivity	NAME	
CHK G YETTER 2/5/86		.250 SERIES FASTON RECEPTACLE	
APVD R KUZO 2/5/86		SIZE	CAGE CODE
PRODUCT SPEC	A3	00779	C-41274
APPLICATION SPEC	WEIGHT	RESTRICTED TO	
	-	-	
CUSTOMER DRAWING	SCALE	SHEET	REV
	4:1	1 of 1	U