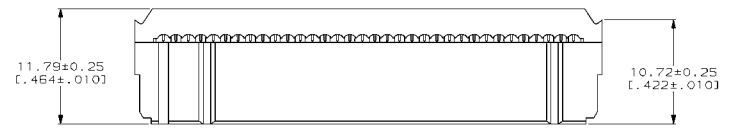
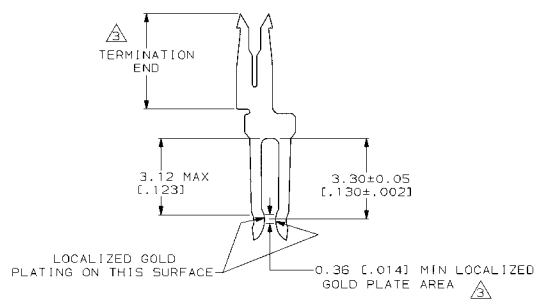
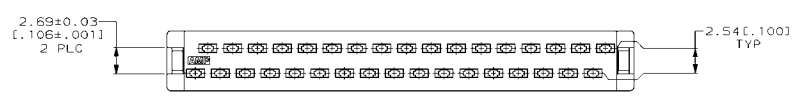


REV	DATE	DESCRIPTION	DATE	APPRO
0	1-24-94	RLSE PER NPR 5042		
A	14 JAN 97	OBSELETE -8		JGH
		PER EC 0020-561-96		
B	06 MAR 97	REACTIVATE -8 PER EC 0410-100-97		JGH

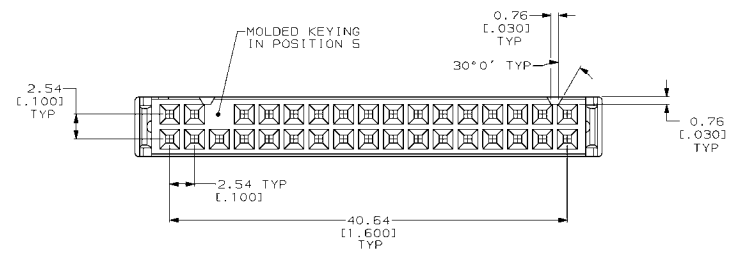
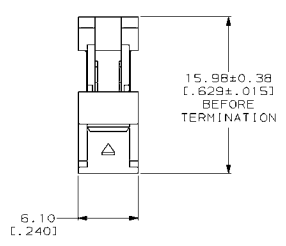
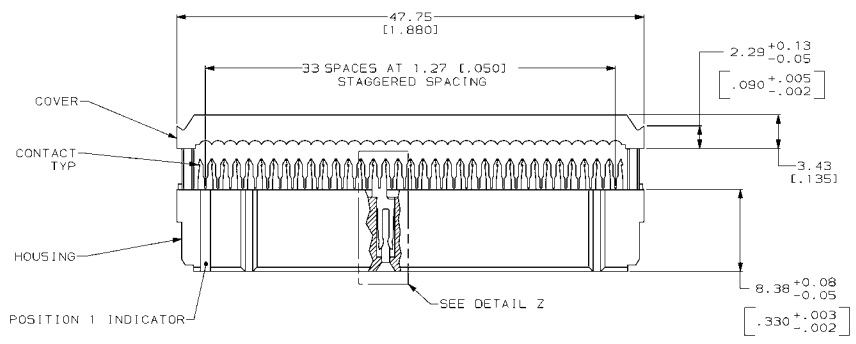
- △ POLYESTER, BLACK, UL RATED 94V-0.
- △ PHOSPHOR BRONZE PER QQ-B-750.
- △ 0.38µm (.000015) MIN GOLD ON LOCALIZED GOLD PLATE AREA.
- △ 2.54µm (.000100) MIN TIN-LEAD ON TERMINATION END, ALL OVER 1.27µm (.000050) MIN NICKEL ON ENTIRE CONTACT.



TERMINATED VIEW



DETAIL Z
 SCALE 10:1
 TYPICAL



34	111B30-8
NO OF POSN	PART NUMBER
	PART NO

DO NOT SCALE PRINT. UNLESS SPECIFIED DIMENSIONS IN mm (INCHES) TOLERANCES ON: 2 PLC DEC ± 0.13 (.005) 3 PLC DEC ± .015 ANGLES ± 0°30'		DR 1-24-94 C. OBERMAN	AMP AMP Incorporated Harrisburg, PA 17105-3608
MOLDED PARTS: △ CONTACTS: △		CHK 1-24-94 R. STONE	
MATERIAL		APPD 1-26-94 D. KELLER	NAME
FINISH		APPD 1-26-94 D. HOFFMAN	RECEPTACLE, FULL COVER, MILITARY POLARIZATION, NOVO, AMP-LATCH™
CONTACTS: △		PRODUCT SPEC 108-40000	SIZE
		APPLICATION SPEC 114-40005	CASE CODE 00779
		WEIGHT	DRAWING NO 111830
			SCALE 4:1
			SHEET 1 OF 1

THIS DRAWING IS A CONTROLLED DOCUMENT FOR AMP INCORPORATED. IT IS SUBJECT TO CHANGE AND THE CONTROLLING ENGINEERING ORGANIZATION SHOULD BE CONTACTED FOR THE LATEST REVISION.

CUSTOMER DRAWING