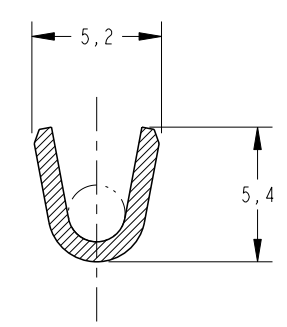
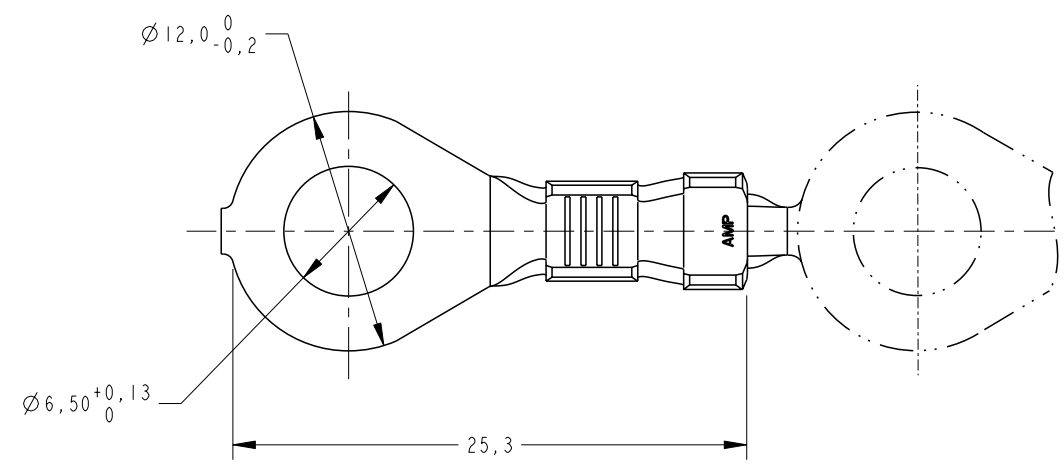
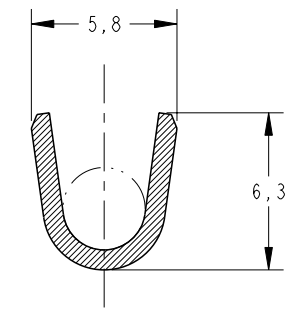


THIS DRAWING IS UNPUBLISHED. RELEASED FOR PUBLICATION 20
 © COPYRIGHT 20 ALL RIGHTS RESERVED.

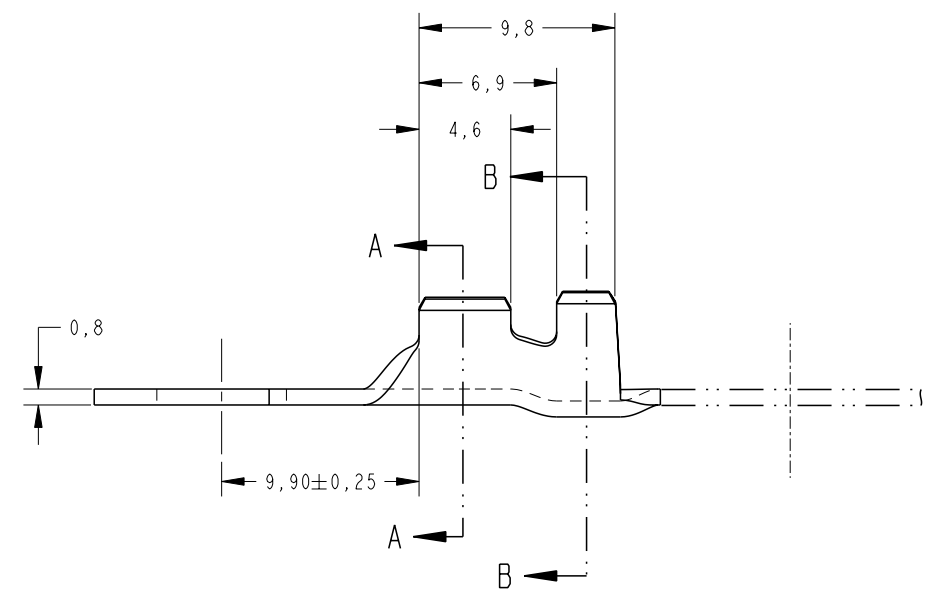
LOC	DIST	REVISIONS			
P	LTR	DESCRIPTION	DATE	DWN	APVD
AP	-	REDRAW BY CAD ECO-11-014874	21JUL2011	NCL	GO



SECTION A-A
SCALE 5:1



SECTION B-B
SCALE 5:1



>2,5 ~ 4,0mm ²	Ø2,70 ~ 3,70
WIRE RANGE	INSUL. RANGE

ESTANHADO		LATÃO / BRASS	444151 -2									
FINISH		LATÃO / BRASS	444151 -1									
FINISH		MATERIAL	PART NO									
THIS DRAWING IS A CONTROLLED DOCUMENT.		<table border="1"> <tr> <td>DWN</td> <td>21JUL2011</td> <td rowspan="4"> TE Connectivity </td> </tr> <tr> <td>CHK</td> <td>21JUL2011</td> </tr> <tr> <td>APVD</td> <td>21JUL2011</td> </tr> <tr> <td colspan="2">GOLIVEIRA</td> </tr> </table>		DWN	21JUL2011	 TE Connectivity	CHK	21JUL2011	APVD	21JUL2011	GOLIVEIRA	
DWN	21JUL2011	 TE Connectivity										
CHK	21JUL2011											
APVD	21JUL2011											
GOLIVEIRA												
DIMENSIONS: mm		NAME										
TOLERANCES UNLESS OTHERWISE SPECIFIED:		RING TONGUE										
0 PLC ±		SIZE										
1 PLC ±0,3		CAGE CODE										
2 PLC ±		DRAWING NO										
3 PLC ±		RESTRICTED TO										
4 PLC ±		A2 00779 ©-444151										
ANGLES ±°		SCALE 4:1										
FINISH		SHEET 1 OF 1										
MATERIAL SEE TABLE		REV A1										
SEE TABLE		CUSTOMER DRAWING										