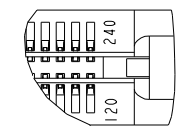
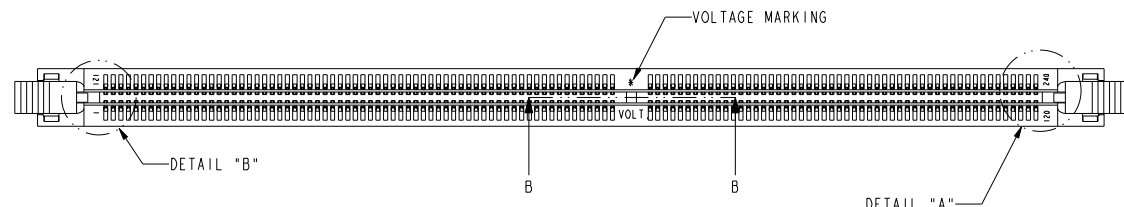
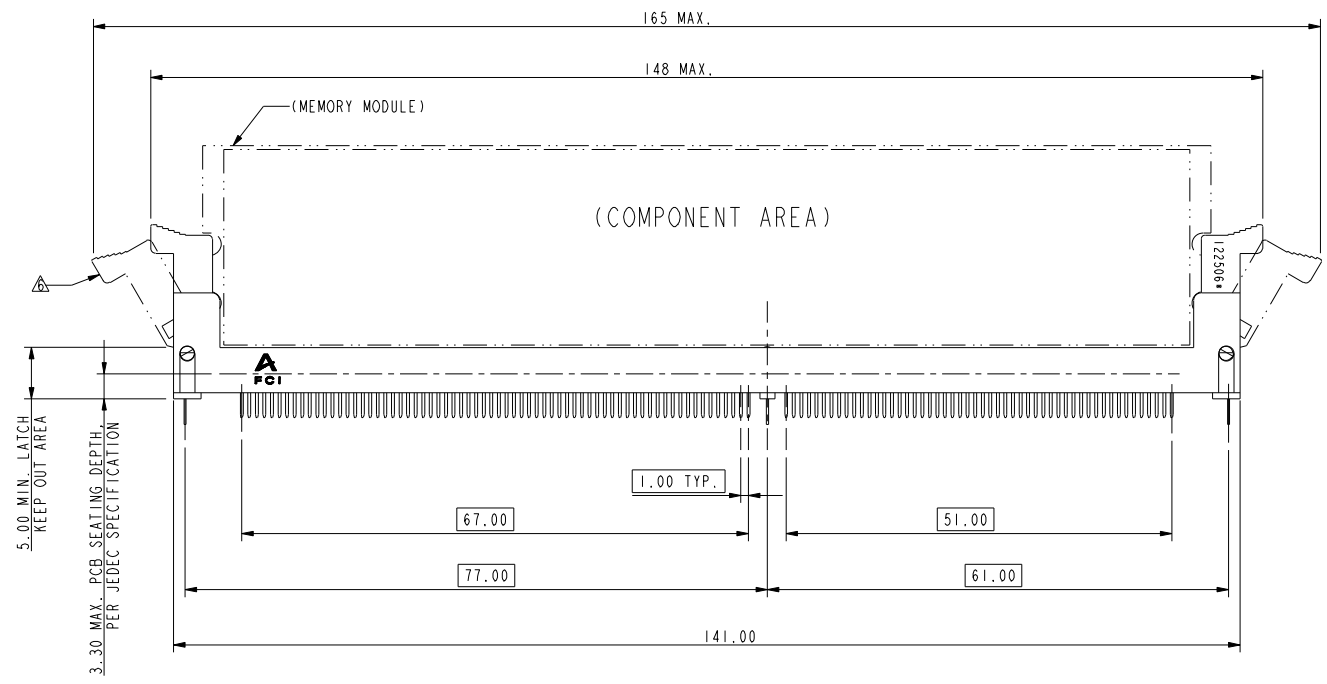


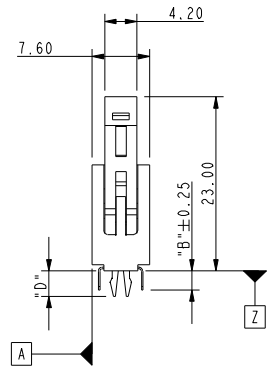
DETAIL "B"  
SCALE 2.000



DETAIL "A"  
SCALE 2.000

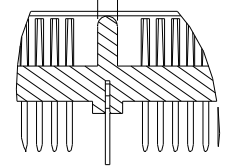


SCALE 1.000



tolerances unless otherwise specified		
linear	.X	±0.38
	.XX	±0.25
	.XXX	±0.13
angles	X°	±2°

1.30 ± 0.05 X



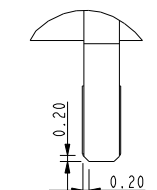
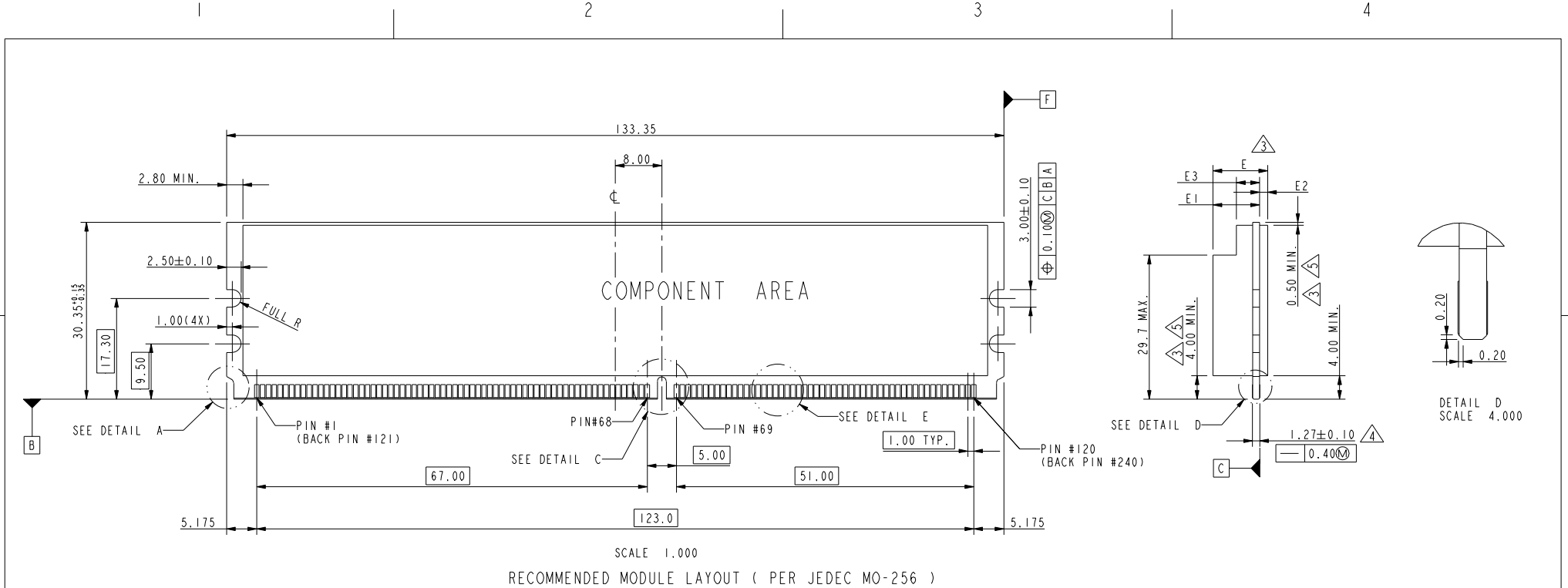
SECTION B-B

Mark with 10057443 REV. C in area indicated by X.....				Material *		Spec ref *		tolerance		projection		MM	
				Mat code		✓				⊕		←	
				Heatreat						size A4		Scale 0.500	
				Plating/Finish						Product family		ECN DG06-0506	
rev	ecn no	dr	date	Dr	RICHARD CHIU	06/20/05					REL Level		Released
A	T05-0231	RC	10/14/05	Eng	RICHARD CHIU	06/20/05	Product family						
B	DG06-0506	CS	12/04/06	Chr	PAUL WANG	06/20/05	Model Name		10057443				
C	DG07-0001	CS	01/03/07	Appr	JOESPH HSIA	06/20/05	Model Revision		B				
-	-	-	-	FCI		title		DDR11 240P FBDIMM		dwg no		10057443	
-	-	-	-	Pro/E file		catalog		SMALL HEAD SOCKET		Rev.		C	

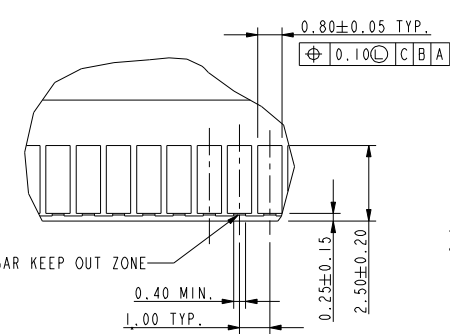
FCI CONFIDENTIAL



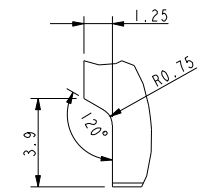
This document is the property of and embodies CONFIDENTIAL and PROPRIETARY information of FCI. No part of the information shown on this document may be used in any way or disclosed to others without the written consent of FCI. Copyright FCI.



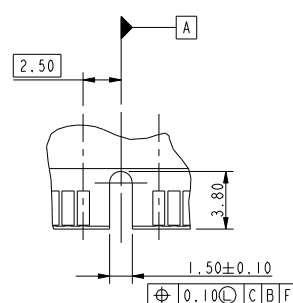
DETAIL D  
SCALE 4.000



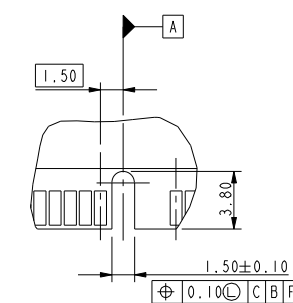
DETAIL E  
SCALE 4.000



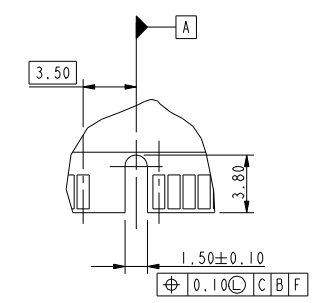
DETAIL A  
SCALE 3.000



DETAIL C / TYPE "C"  
SCALE 2.000



DETAIL C / TYPE "L"  
SCALE 2.000



DETAIL C / TYPE "R"  
SCALE 2.000

tolerances unless otherwise specified		
linear	.X	±0.38
	.XX	±0.15
	.XXX	±0.13
angles	X°	±2°

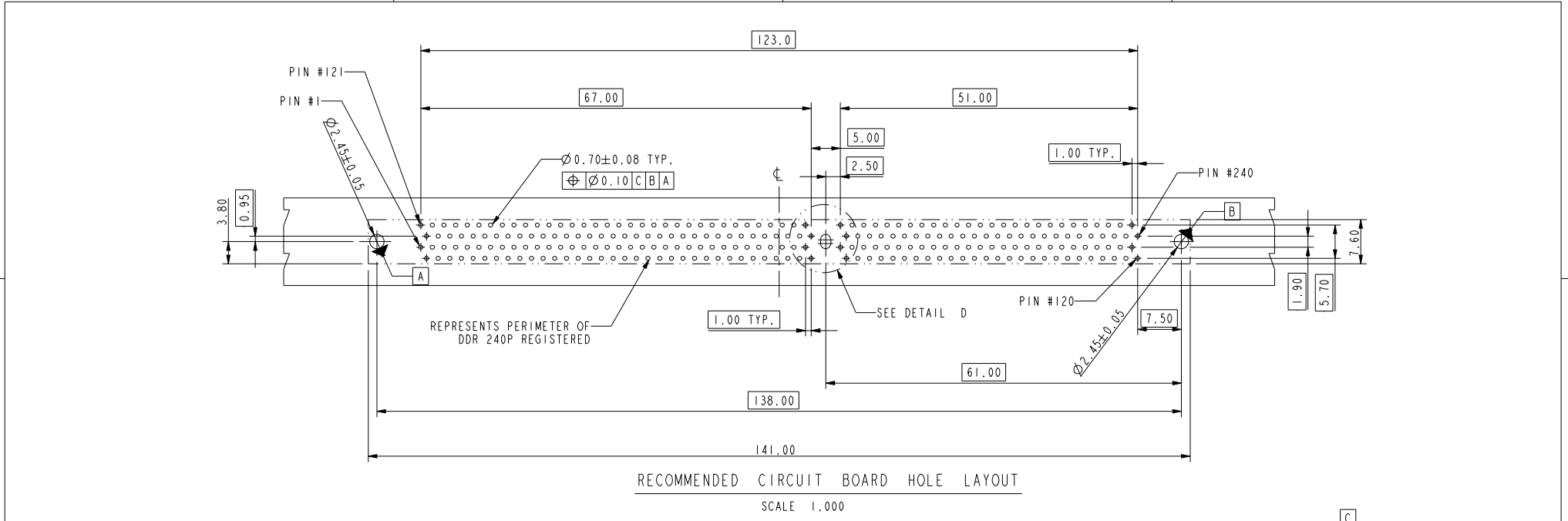
SUB KEY POS. #1	DESCRIPTION	DIM. E1 MAX.	DIM. E2 MAX.	DIM. E3 MAX.	DIM. E MAX.	DIM. E1 MAX.	DIM. E2 MAX.	DIM. E3 MAX.	DIM. E MAX.
		TYPE 1				TYPE 2			
TYPE R	X.X VOTAGLE	6.80	1.40	2.80	8.20	6.80	3.00	4.40	9.80
TYPE L	2.5 VOLTAGE	6.80	1.40	2.80	8.20	6.80	3.00	4.40	9.80
TYPE C	1.8 VOLTAGE	6.80	1.40	2.80	8.20	6.80	3.00	4.40	9.80

	title	DDR11 240P FBDIMM		dwg no <b>10057443</b>	Rev. <b>C</b>
	Pro/E file	catalog	SMALL HEAD SOCKET <b>PDM: Rev:C</b>		
REV F: 2006-04-17			sheet 2 of 4 Printed: Jul 28, 2010		

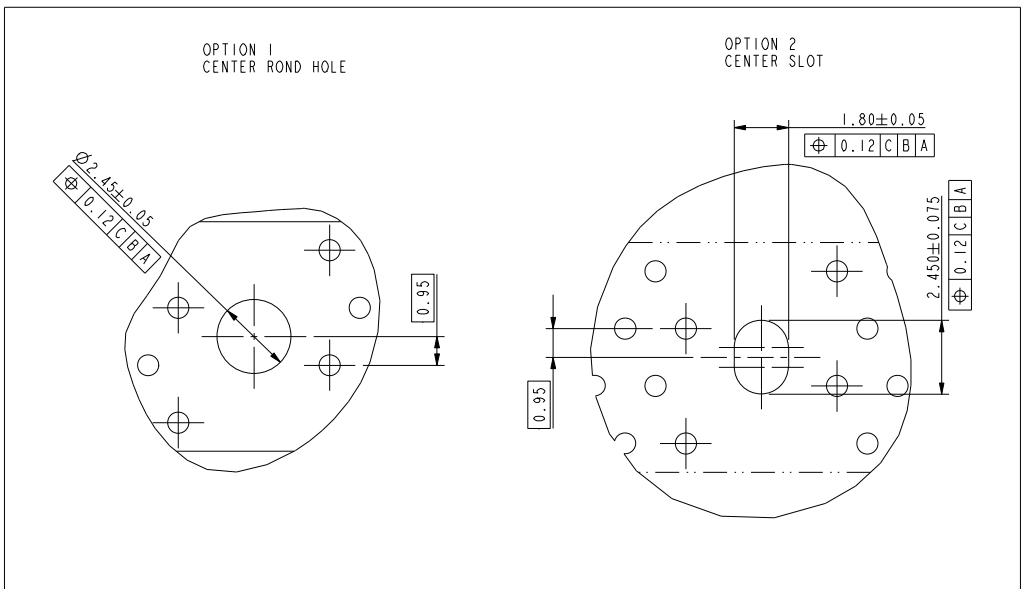
FCI CONFIDENTIAL



This document is the property of and embodies CONFIDENTIAL and PROPRIETARY information of FCI. No part of the information shown on this document may be used in any way or disclosed to others without the written consent of FCI. Copyright FCI.



DETAIL D  
SCALE 4.000



tolerances unless otherwise specified		
linear	.X	$\pm 0.38$
	.XX	$\pm 0.25$
	.XXX	$\pm 0.13$
angles	X°	$\pm 2^\circ$

	<b>DDR11 240P FBDIMM</b> SMALL HEAD SOCKET	dwg no <b>10057443</b>	Rev. <b>C</b>
	Pro/E file catalog	<b>PDM: Rev: C</b>	STATUS <b>Released</b>

sheet 3 of 4  
 Printed: Jul 28, 2010

REV F: 2006-04-17



10057443-□ □ □ □ □

STYLE : MECHANICAL KEYING

- 1 : 1.8 VOLT. W/TYPE "C"
- 2 : 2.5 VOLT. W/TYPE "L"
- 3 : X.X VOLT. W/TYPE "R"

METAL CLIP:  
(WITH NI 1.27 um MIN. PLATING)

- 1 : WITH METAL CLIP + DIM."D"=3.05
- 2 : WITH METAL CLIP + DIM."D"=3.56
- 3 : WITH METAL CLIP + DIM."D"=3.43

TAIL LENGTH

CODE	DIM. "B"	PCB THICKNESS
0	2.54	1.47 mm (0.058")
1	2.67	1.60 mm (0.063")
2	3.18	2.36 mm (0.093")
3	4.00	3.18 mm (0.125")

PLATING

CODE	CONTACT	SOLDERTAIL	UNDERPLATE
2	15 u"(0.38um) MIN. GOLD	100u"(2.54um) MIN. TIN/LEAD	50u"(1.27um) MIN. NICKEL OVERALL
3	30u"(0.76um) MIN. GOLD		
4	3u"(0.076um) MIN. GOLD	100u"(2.54um) MIN. 100% TIN	50u"(1.27um) MIN. NICKEL OVERALL
7LF	15u"(0.38um) MIN. GOLD		
8LF	30u"(0.76um) MIN. GOLD	100u"(2.54um) MIN. 100% TIN	50u"(1.27um) MIN. NICKEL OVERALL
9LF	3u"(0.076um) MIN. GOLD		
2N	15 u"(0.38um) MIN. GOLD	100u"(2.54um) MIN. TIN/LEAD	90u"(2.29um) MIN. NICKEL OVERALL
3N	30 u"(0.76um) MIN. GOLD		
4N	3 u"(0.076um) MIN. GOLD	100u"(2.54um) MIN. 100% TIN	90u"(2.29um) MIN. NICKEL OVERALL
7NLF	15 u"(0.38um) MIN. GOLD		
8NLF	30 u"(0.76um) MIN. GOLD	100u"(2.54um) MIN. 100% TIN	90u"(2.29um) MIN. NICKEL OVERALL
9NLF	3 u"(0.076um) MIN. GOLD		

COLOR OF HOUSING AND EJECTOR

- 0 : BLACK HOUSING + IVORY EJECTOR
- 1 : BLUE HOUSING + IVORY EJECTOR
- 2 : BLACK HOUSING + BLACK EJECTOR

NOTE:

1. MATERIAL:  
 HOUSING: HIGH PERFORMANCE RESINS, GLASS FILLED UL94V-0 RATED.  
 EJECTOR: HIGH PERFORMANCE RESINS, GLASS FILLED UL 94V-0 RATED.  
 TERMINAL : COPPER ALLOY.  
 METAL CLIP: COPPER ALLOY.
2. PRODUCT SPECIFICATION: GS-12-300.
- ⚠ DIMENSIONS APPLICABLE WHEN COMPONENTS MOUNTED ON ONE OR BOTH SIDES.
- ⚠ CARD THICKNESS APPLIES ACROSS TABS AND INCLUDES PLATING AND/OR MEALIZATION STRAIGHTNESS CALLOUT APPLIES TO ZONE DEFINED BY THE 4.00 CONTACT AREA DIMENSION FOR THE ENTIRE LENGTH OF 133.35.
- ⚠ BOARD OF COMPONENT AREA.
- ⚠ LATCH DESIGN INCLUDES COMPLEMENTARY FEATURE TO ACCOMMODATE MODULE END NOTCHES AS DEFIND IN DETAIL A OF P.2 AND AS SPECIFIED IN MO-256.
7. THIS PRODUCT MEETS EUROPEAN UNION DIRECTIVES AND OTHER COUNTRY REGULATIONS AS DESCRIBED IN GS-22-008.
8. THE HOUSING WILL WITHSTAND EXPOSURE TO 260°C PEAK TEMP. FOR 10 SECONDS IN A WAVE SOLDER APPLICATION
9. 10057443-XXXX(X)LF SERIES ARE FOR LEAD-FREE OPTIONS.
10. DATE CODE:XXXXXX\* MEANS MONTH/DAY/YEAR.  
 "\*" MEANS PRODUCTION LINE CODE.

Pro/E file	catalog	title <b>DDR11 240P FBDIMM</b> SMALL HEAD SOCKET	dwg no <b>10057443</b>	Rev. <b>C</b>