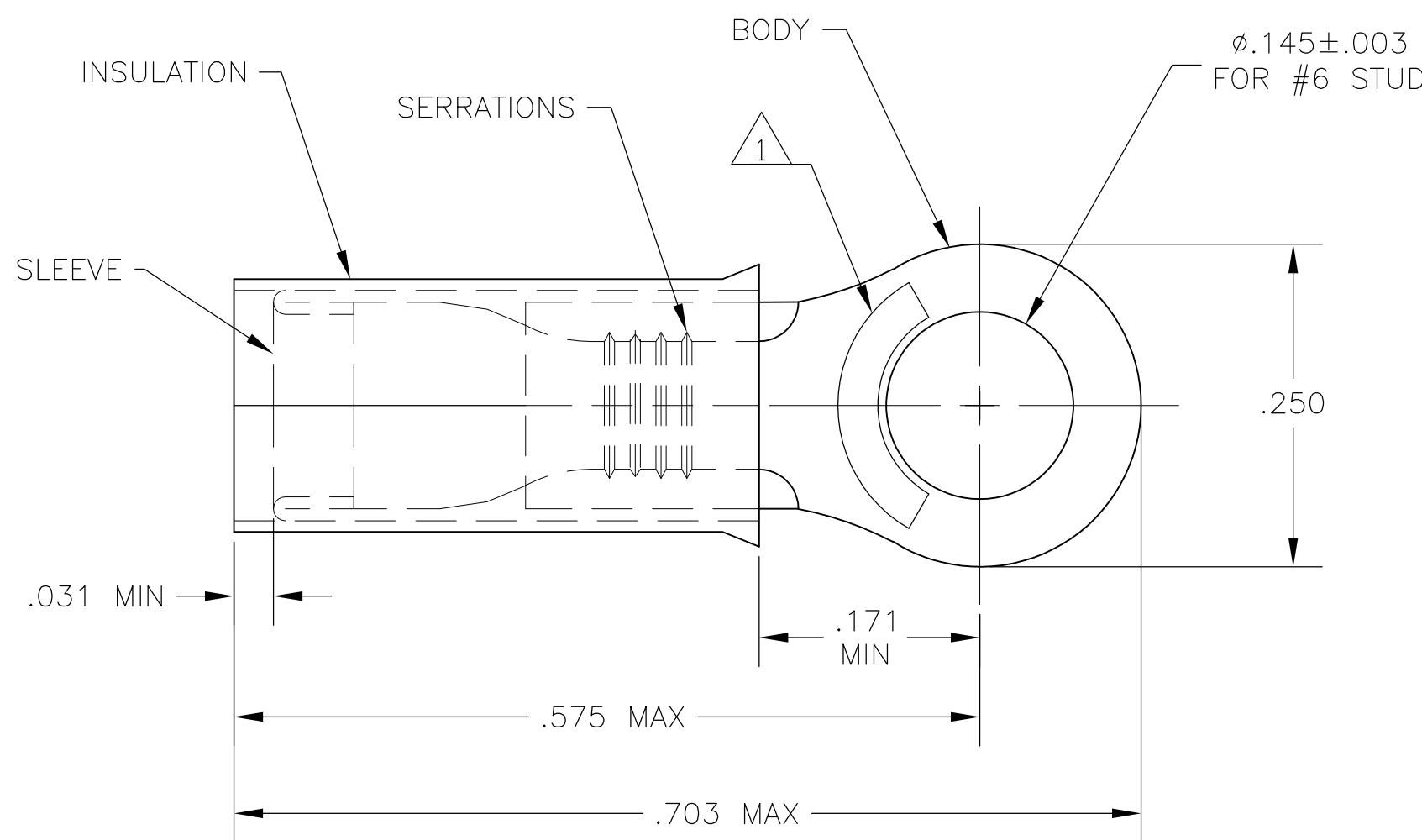


THIS DRAWING IS UNPUBLISHED. RELEASED FOR PUBLICATION  
 © COPYRIGHT - By - ALL RIGHTS RESERVED.

LOC	DIST	REVISIONS			
P	LTR	DESCRIPTION	DATE	DWN	APVD
G	14	H1	REVISED PER ECO-11-004820	11MAR11	RK HMR

<b>AMP</b> WIRE RANGE	Listed	LR7189 Certified
16-14 AWG SOLID OR STRANDED	16-14 AWG SOLID OR STRANDED	16-14 AWG SOLID OR STRANDED



- 1 STAMP AMP 16-14\*, APPROX AS SHOWN. STAMP MAY BE ON TOP OR BOTTOM.
- 2 TONGUE THICKNESS IS  $.031 \pm .002$
- 3 FOR  $.115-.170$  WIRE INSULATION DIA
- 4 MAX RECOMMENDED OPERATING TEMP IS 105°C.
- 5 300 VOLT MAX RATING.
- 6 WIRE CROSS SECTIONAL AREA RANGE 1.04-2.62mm [2,050-5,180 CIR MILS]

QTY	PACKAGING	MATERIAL / FINISH	PART NO
25	LOOSE PIECE, BLS	BODY & SLEEVE: COPPER PER ASTM B152 TIN PL. PER ASTM B-545	9-320619-4
5	LOOSE PIECE, BLS		8-320619-4
100	LOOSE PIECE, BOX	INSULATION: NYLON COLOR: BLUE	8-320619-1
5000	ON TAPE, REEL		2-320619-1
-	LOOSE PIECE		320619

THIS DRAWING IS A CONTROLLED DOCUMENT.		DWN jr_ruth 19AUG03	TE Connectivity	
DIMENSIONS: INCHES		CHK T MICHELUTTI 19AUG03		
TOLERANCES UNLESS OTHERWISE SPECIFIED:		APVD T MICHELUTTI 19AUG03	NAME WIRE TERMINAL PIDG, RING TONGUE WIRE SIZE: 16-14	
0 PLC ± -		PRODUCT SPEC UL486A	SIZE	
1 PLC ± -		APPLICATION SPEC 114-2157	CAGE CODE A300779	DRAWING NO C-320619
2 PLC ± -		WEIGHT -	RESTRICTED TO -	
3 PLC ± .008		CUSTOMER DRAWING		
4 PLC ± -		SCALE 8:1		
ANGLES ± 1°		SHEET 1 OF 1		
MATERIAL -		REV H1		
FINISH -				