

5

4

3

2

1

DRAWING NO.

CPMC8811-CUST

REVISIONS

OFFICAL RELEASE

01

03-05-09

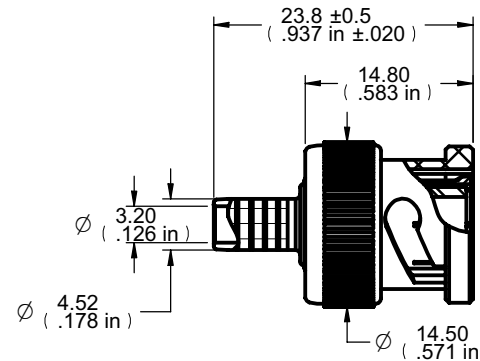
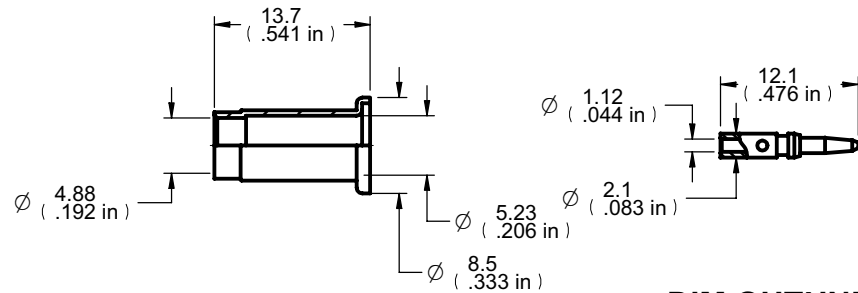
Z G B Y T

Thomas Chow

Description: Stright BNC Crimp Plug For RG58 Style Cable
 Part No: CPMC8811
 Application: For Cable RG58 Style
 Crimp Tool:
 Impedance: 24-9958P
 Fequency Range: 50 Ohms
 Material: 0-4 GHz

RoHS Compliance: Yes
 Technical Detail:
 Body Zinc Nickel Plated
 Contact Brass Gold Plated
 Insulator PTFE
 Crimp Sleeve Brass Nickel Plated
 Coupling Nut Zinc Nickel Plated

Refer to Emerson Document P/N 27-0000



DIM OUTLINE

CUSTOMER COPY

TOLERANCE UNLESS OTHERWISE SPECIFIED		DRAWN BY GARY.ZHG	DATE 03-05-09
DECIMALS	mm	CHECKED BY TERRY.W	DATE 03-05-09
X	± 0.5	APPROVED BY THOMAS	DATE 03-10-09
X.X	± 0.3	U/M	mm
X.XX	± 0.1		
ANGLES	± 0.5°		

EMERSON Network Power **Connectivity Solutions**

TITLE STRAIGHT BNC CRIMP PLUG FOR R58 STYLE CABLE

SHEET 1 OF 1	DRAWING NO. CPMC8811-CUST	SIZE A
--------------	---------------------------	--------

THIS DRAWING WAS PRODUCED BY COMPUTER, DO NOT SCALE DRAWING OR UPDATE MANUALLY.

受控 CONTROLLED DOCUMENT

编号 P/N	CPMC8811-CUST	版本 Rev	01	日期 Rel'd Date	Apr29,09
--------	---------------	--------	----	---------------	----------

5

4

3

2

1