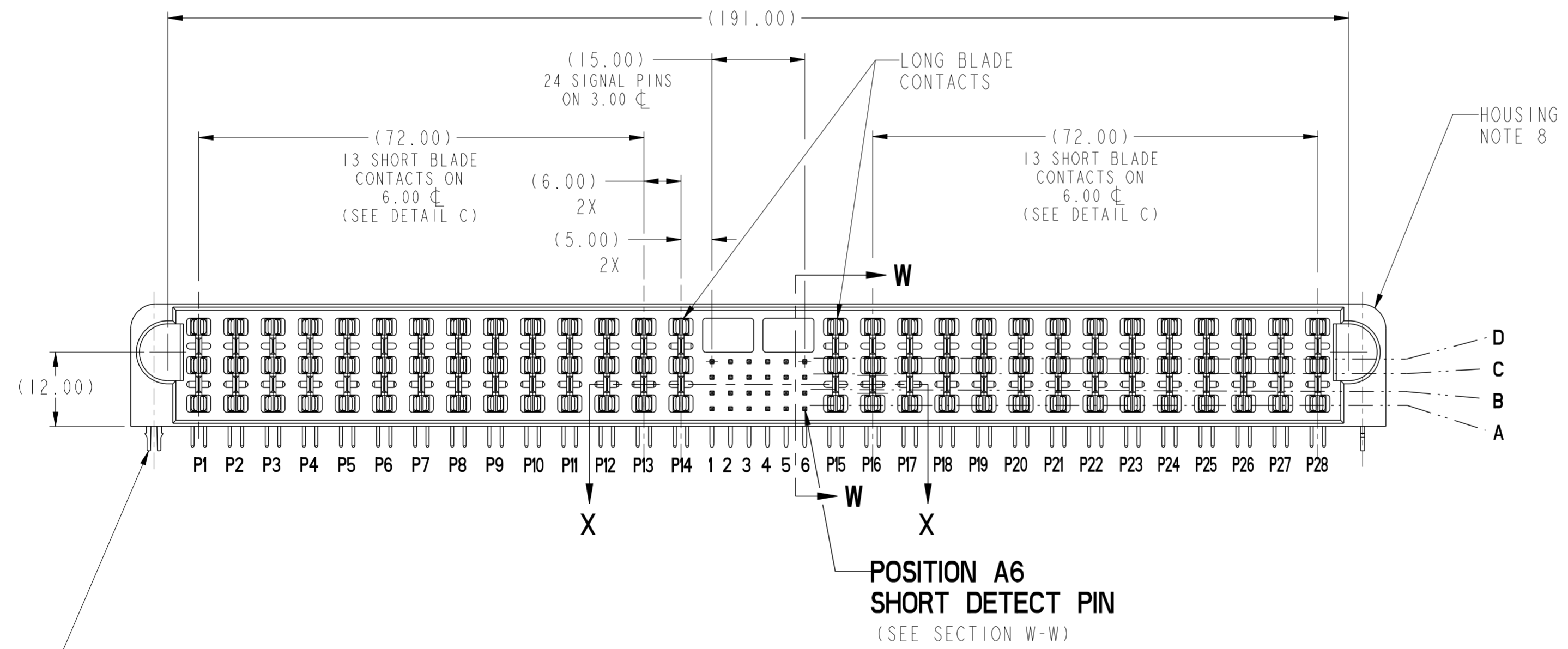
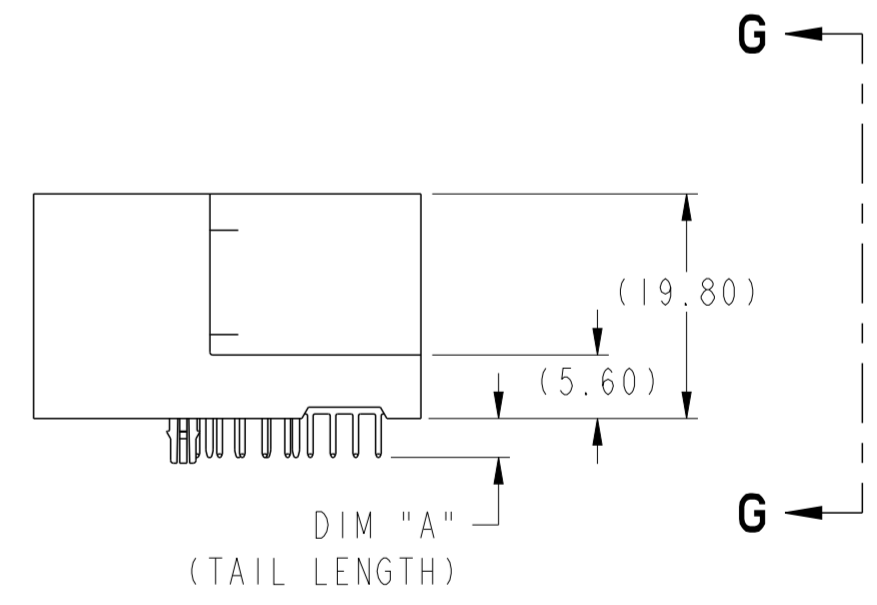


SEE DETAIL A SECTION X-X



RETENTION CLIPS OPTIONAL (SEE P/N TABLE)



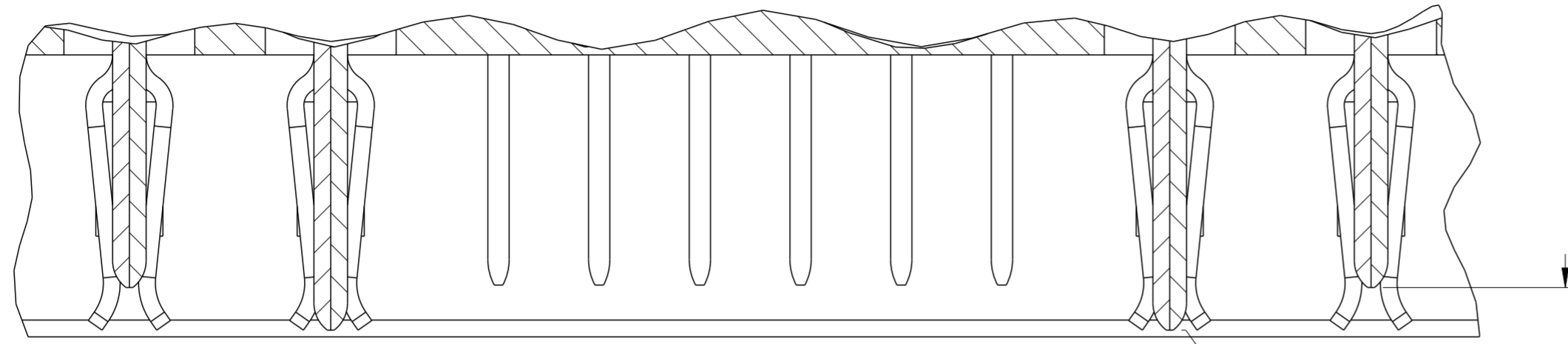
Copyright FCI. FCI

spec ref	-	dr	NotFound DuWa	2010/04/28	projection	MM	size	A2	scale	3:1										
tolerance std	ASME Y14.5	eng	De-Ming Lu	2014/12/28			ecn no	ELX-DG-19849-1												
TOLERANCES UNLESS OTHERWISE SPECIFIED		chr	-	rel level			Released													
surface	<table border="1"> <tr> <td>linear</td> <td>0.X</td> <td>± 0.5</td> </tr> <tr> <td></td> <td>0.XX</td> <td>± 0.25</td> </tr> <tr> <td></td> <td>0.XXX</td> <td>± 0.10</td> </tr> <tr> <td>angular</td> <td>0°</td> <td>$\pm 2^\circ$</td> </tr> </table>	linear	0.X	± 0.5				0.XX	± 0.25		0.XXX	± 0.10	angular	0°	$\pm 2^\circ$	apppr	Pei-Ming Zheng	2014/12/29	product family	HCI
linear	0.X	± 0.5																		
	0.XX	± 0.25																		
	0.XXX	± 0.10																		
angular	0°	$\pm 2^\circ$																		
ASME Y14.5				title R/A HDR 14DC+24S+14DC HCI POWER CONNECTOR		dwg no	10084757		rev	B										
www.fci.com		cat. no.		-		Product - Customer Drw		sheet 1 of 5												

PDS: Rev :B

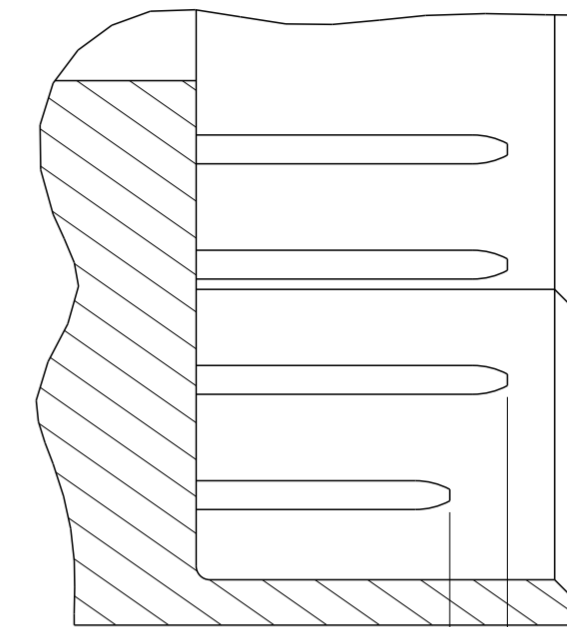
STATUS:Released

Printed: Dec 30, 2014



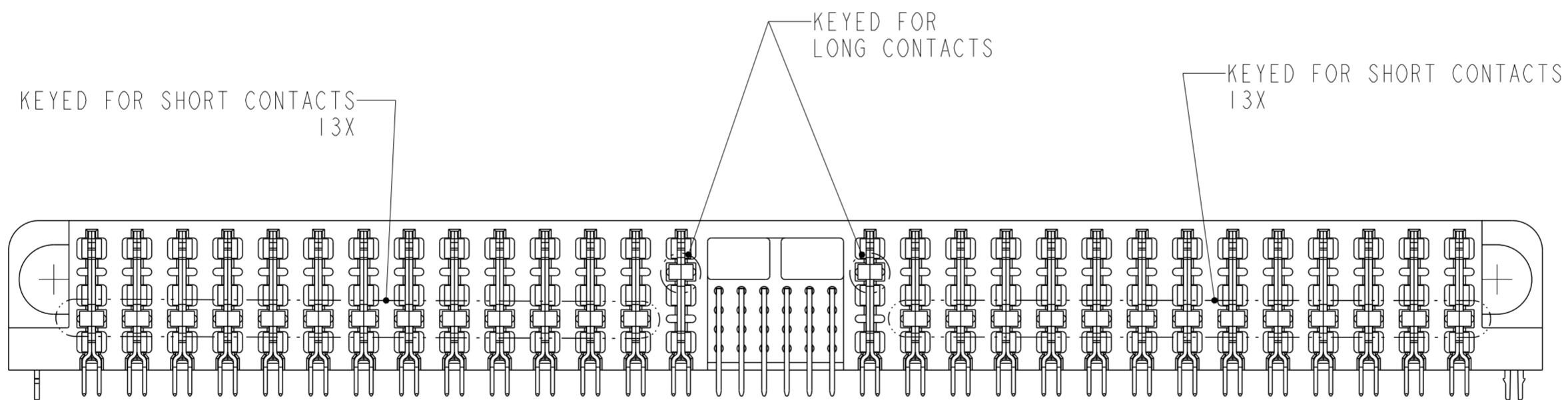
DETAIL A
SCALE 6:1
POWER MATING SEQUENCE

(1.27)
SHORT/LONG
MATING SEQUENCE



SECTION W-W
SCALE 6:1
SIGNAL MATING SEQUENCE

(1.27)



KEYED FOR SHORT CONTACTS
13X

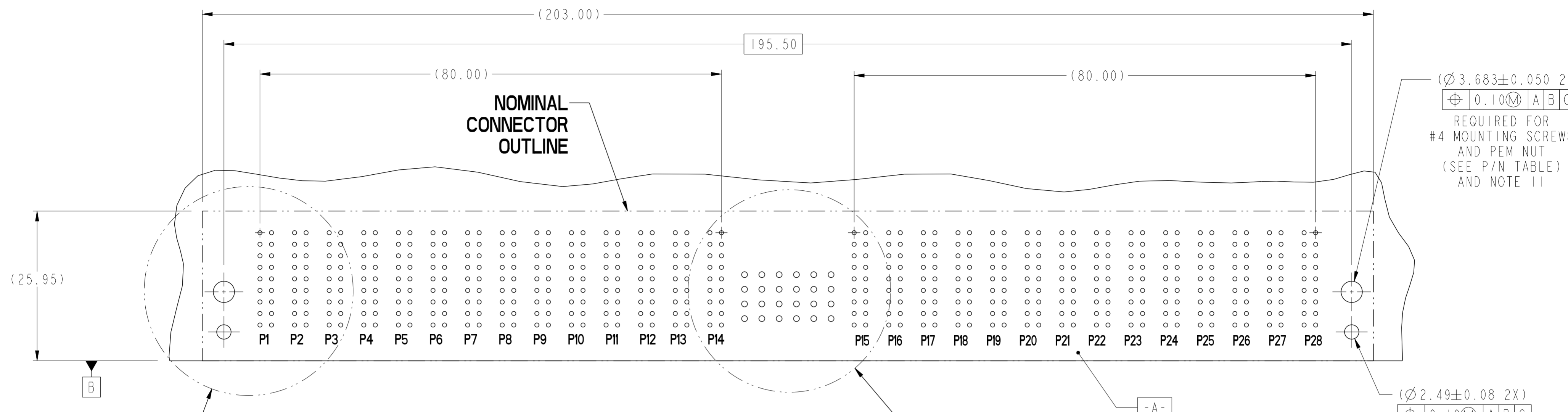
KEYED FOR
LONG CONTACTS

KEYED FOR SHORT CONTACTS
13X

VIEW G-G

dr	NotFound DuWa	2010/04/28	projection	MM	size	A2	scale	3:1
eng	De-Ming Lu	2014/12/28			ecn no	ELX-DG-19849-1		
chr	-	product family			HCI	rel level	Released	
appr	Pei-Ming Zheng	2014/12/29			cat. no.	R/A HDR 14DC+24S+14DC		rev
					www.fci.com	HCI POWER CONNECTOR		B
					Product - Customer Drw	sheet 2 of 5		

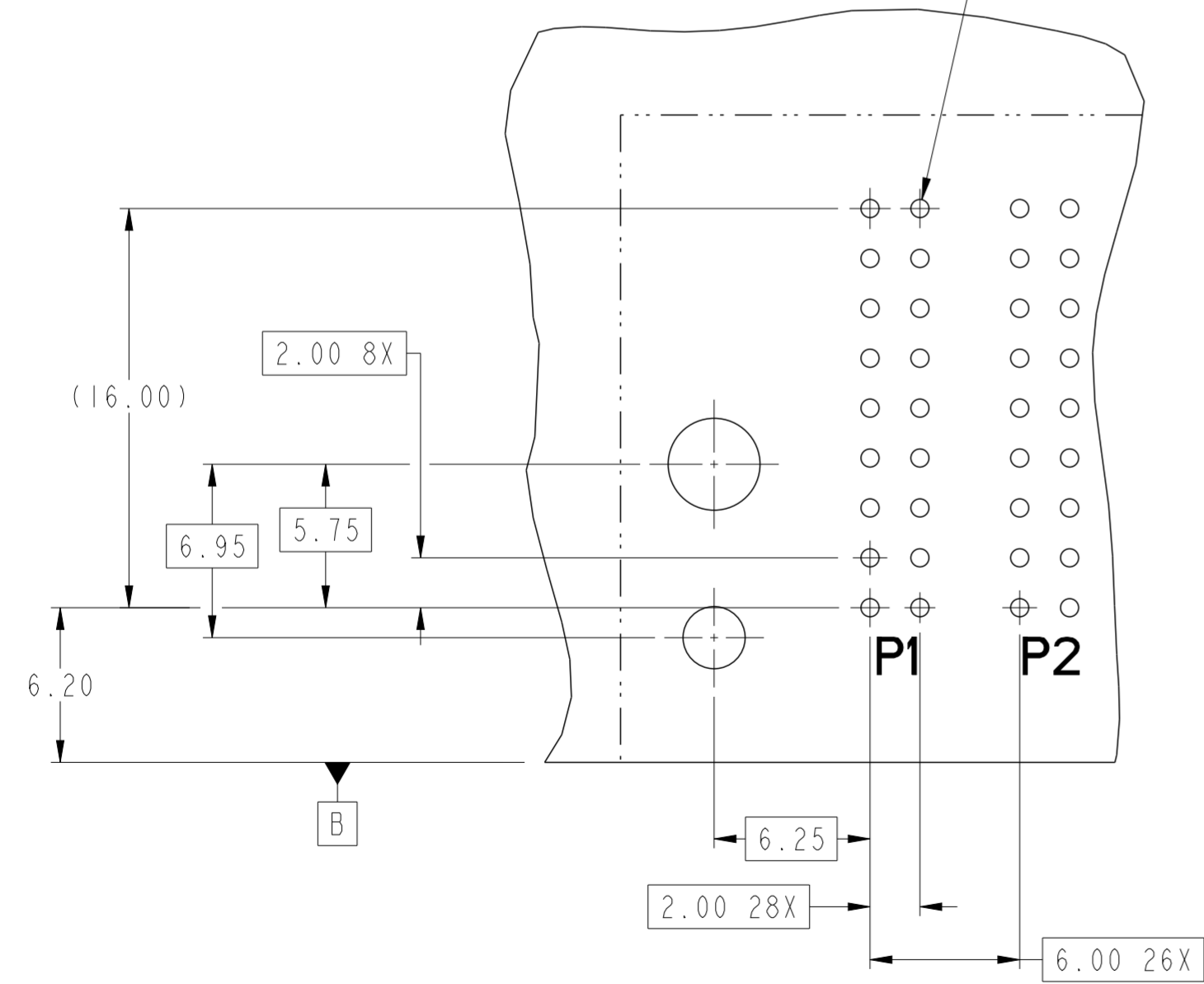
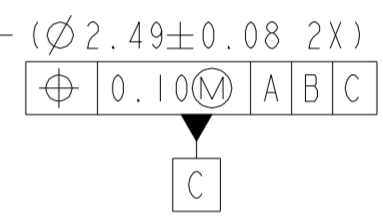
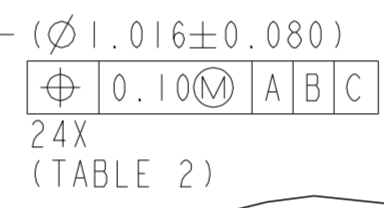
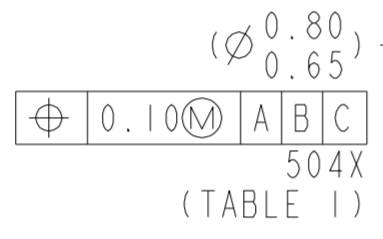




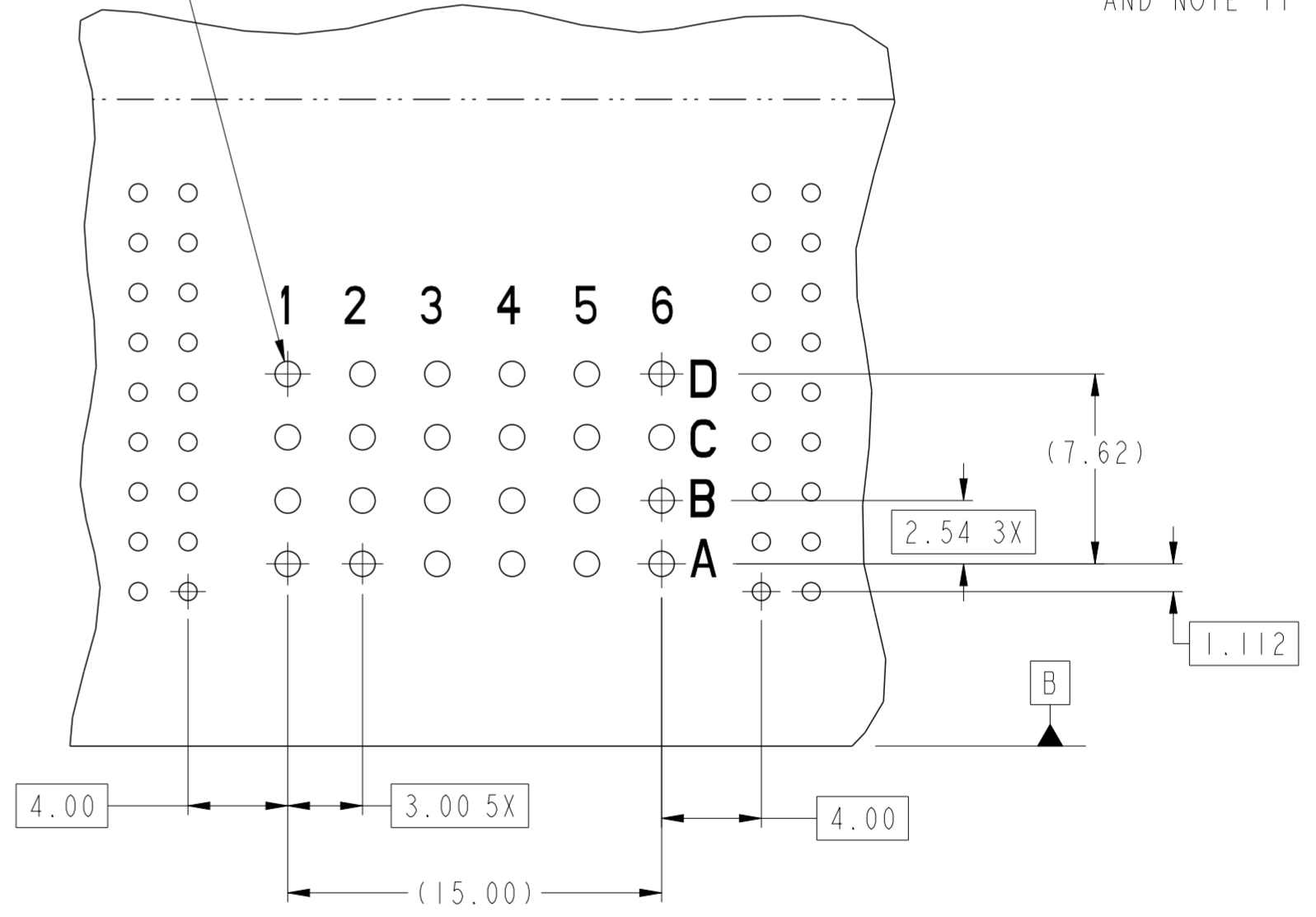
**RECOMMENDED PCB LAYOUT
COMPONENT SIDE**

NOTE 6

SEE DETAIL D



**DETAIL D
SCALE 4:1**



**DETAIL E
SCALE 4:1**

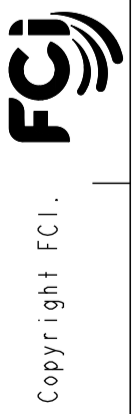
dr	Not Found DuWa	2010/04/28	projection	MM	size	A2	scale	4:1
eng	De-Ming Lu	2014/12/28			ecn no	ELX-DG-19849-1		
chr	-	-			rel level	Released		
appr	Pei-Ming Zheng	2014/12/29	product family	-	dwg no	10084757		rev
		title R/A HDR 14DC+24S+14DC HCI POWER CONNECTOR		cat. no. -		Product - Customer Draw		sheet 3 of 5

A
B
C
D
E
F

A
B
C
D
E
F

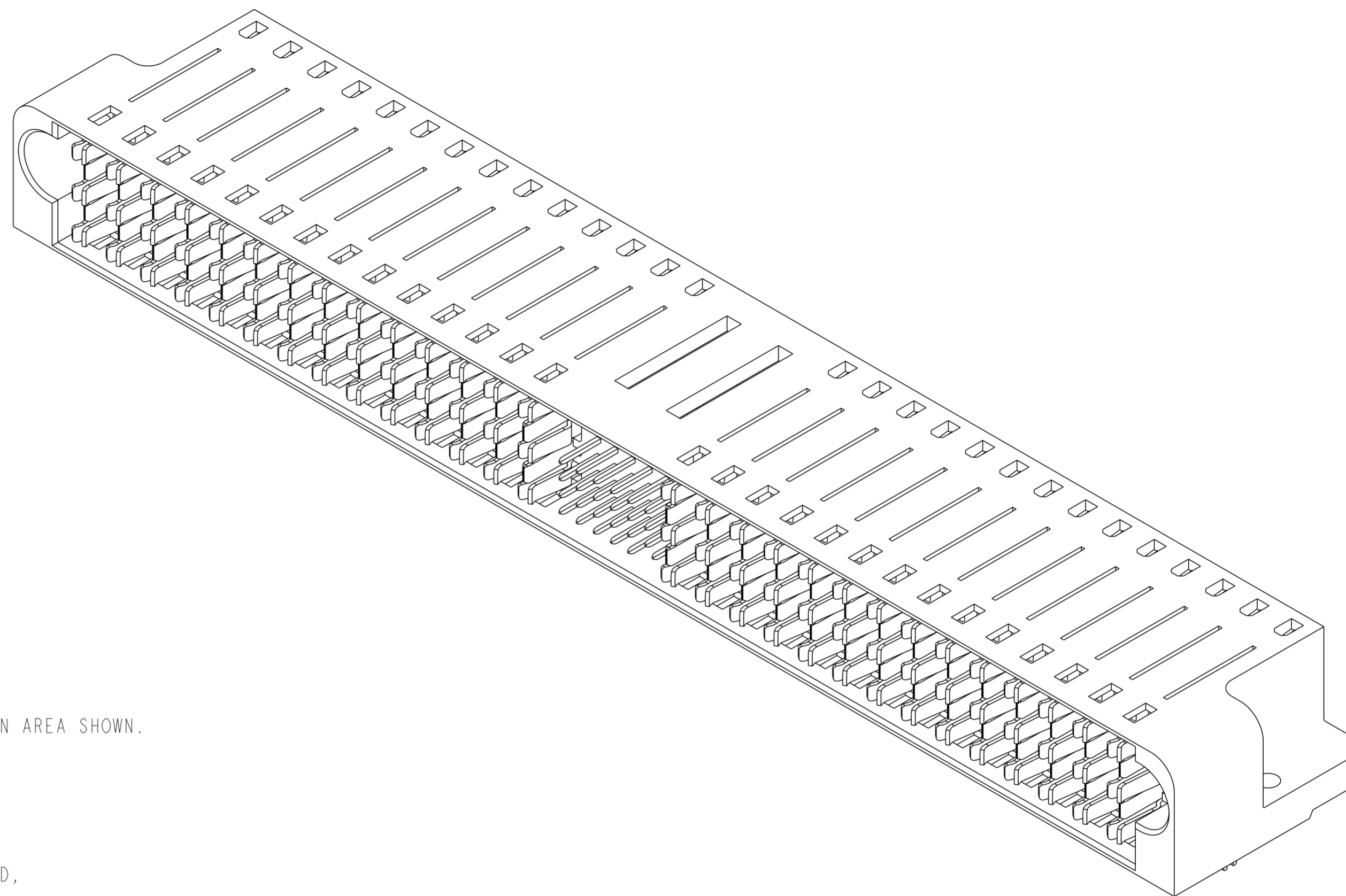
TOP LAYER DESCRIPTION	TABLE 1 (HCI POWER) PLATED THROUGH-HOLE REQUIREMENTS							
	DRILLED HOLE DIAMETER	COPPER THICKNESS	TIN-LEAD THICKNESS	NICKEL THICKNESS	GOLD THICKNESS	TIN THICKNESS	SILVER THICKNESS	FINISHED HOLE DIAMETER
TIN-LEAD	0.81-0.86 (0.85 DRILL)	0.025 - 0.050	0.005 - 0.015	--	--	--	--	0.65 - 0.80
IMMERSION TIN	0.81-0.86 (0.85 DRILL)	0.025 - 0.050	--	--	--	0.9 - 1.5um	--	0.70 - 0.80
IMMERSION SILVER	0.81-0.86 (0.85 DRILL)	0.025 - 0.050	--	--	--	--	0.15 - 0.65um	0.70 - 0.80
COPPER (SEE NOTE 9)	0.81-0.86 (0.85 DRILL)	0.025 - 0.050	--	--	--	--	--	0.70 - 0.80
GOLD	0.81-0.86 (0.85 DRILL)	0.025 - 0.050	--	0.003 - 0.007	FLASH UP TO 0.0002	--	--	0.69 - 0.80

TOP LAYER DESCRIPTION	TABLE 2 (HPC SIGNALS) PLATED THROUGH-HOLE REQUIREMENTS							
	DRILLED HOLE DIAMETER	COPPER THICKNESS	TIN-LEAD THICKNESS	NICKEL THICKNESS	GOLD THICKNESS	TIN THICKNESS	SILVER THICKNESS	FINISHED HOLE DIAMETER
TIN-LEAD	1.125-1.175 ($\varnothing .0453 \pm .0010$)	0.025-0.050	0.005-0.015	--	--	--	--	0.94 - 1.10 ($\varnothing .040 \pm .003$)
IMMERSION TIN			--	--	--	--	--	
IMMERSION SILVER			--	--	--	--	--	
COPPER (SEE NOTE 9)			--	--	--	--	--	
GOLD			--	--	--	--	--	



dr	NotFound DuWa	2010/04/28	projection		size	A2	scale	4:1
eng	De-Ming Lu	2014/12/28		MM	ecn no	ELX-DG-19849-1		
chr	-	-			rel level	Released		
appr	Pei-Ming Zheng	2014/12/29	product family	-				
		title R/A HDR 14DC+24S+14DC HCI POWER CONNECTOR		dwg no 10084757		rev B		
www.fci.com		cat. no.		Product - Customer Drw		sheet 4 of 5		

PART NUMBER	RETENTION CLIPS	#4 SCREW	DIM A (TAIL LENGTH)	TAIL TYPE
10084757-001LF	NO	YES	3.43	SOLDER TAIL
10084757-002LF	NO	YES	4.70	SOLDER TAIL
10084757-003LF	YES	NO	3.43	SOLDER TAIL
10084757-004LF	YES	NO	4.70	SOLDER TAIL



NOTES:

1. CONNECTOR MATERIALS:
HOUSING: HIGH TEMPERATURE THERMOPLASTIC, BLACK
UL 94V-0 COMPLIANT
CONTACTS: HIGH PERFORMANCE COPPER ALLOY
2. CONTACT FINISH (ref GS-12-380 SECTION 5.2)
3. PRODUCT SPECIFICATION: GS-12-380.
4. APPLICATION SPECIFICATION: GS-20-070.
5. PRODUCT MARKING (PRODUCT NUMBER & DATE CODE) ON HOUSING IN AREA SHOWN.
6. MINIMUM NOMINAL PCB THICKNESS: 1.6mm
7. PACKAGING MEETS FCI SPECIFICATION GS-14-1073.
8. HOUSING COMPONENT WILL WITHSTAND EXPOSURE TO 260°C PEAK TEMPERATURE FOR 60 SECONDS IN A CONVECTION, INFRA-RED, OR VAPOR PHASE REFLOW OVEN.
9. COPPER PLATING THICKNESS IN CENTER OF VIA-HOLE CAN BE NO MORE THAN 0.003 LESS THAN OTHER AREAS.
10. ALL HOLE SIZES ARE FINISHED HOLE SIZES.
11. MOUNTING HOLES ARE UNPLATED.

dr	NotFound DuWa	2010/04/28	projection	MM	size	A2	scale	3:1
eng	De-Ming Lu	2014/12/28			ecn no	ELX-DG-19849-1		
chr	-	-			rel level	Released		
appr	Pei-Ming Zheng	2014/12/29	product family	HCI	rel level	Released		
		title	R/A HDR 14DC+24S+14DC		dwg no	10084757		rev
www.fci.com		cat. no.	-		Product - Customer Drw	sheet 5 of 5		B