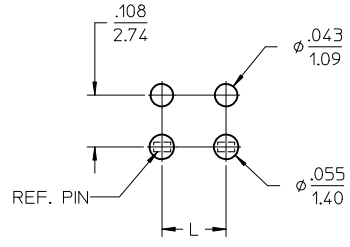
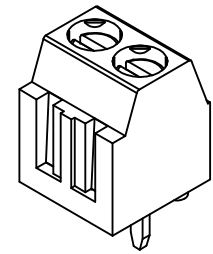
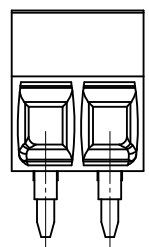
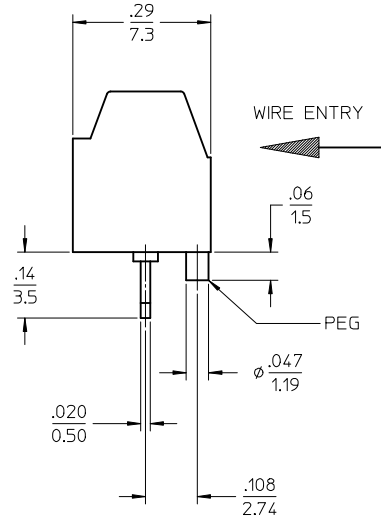
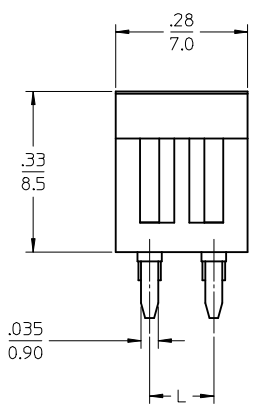
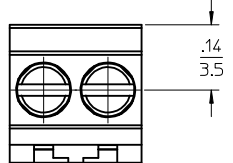


CIRCUITS	MATERIAL NO.	ENGINEERING NO.	L	COLOR
2	393572002	39537-2002	.138 (3.50)	BLACK
2	393573002	39537-3002	.138 (3.50)	GREEN
2	393574002	39537-4002	.138 (3.50)	BLUE



PTH PATTERN



NOTES:

1. MATERIALS:

- A. HOUSING MATERIAL: NYLON-UL94V-0
- B** COLOR: SEE CHART
- B. SCREW: M2
- MATERIAL: COPPER ALLOY-NICKEL PLATED
- C. CLAMP MATERIAL: COPPER ALLOY-NICKEL PLATED
- D. PIN: COPPER ALLOY-TIN PLATED

2. ELECTRICAL:

- A. MAX. VOLTAGE: 300
- B. MAX. CURRENT: 17.5 AMPS

3. WIRE RANGE: 30 TO 16 AWG

4. WIRE STRIP LENGTH: .20 (5.0mm)

5. RECOMMENDED TORQUE (MAX): 2.21 IN-LBS (0.25 Nm)

6. PCB THICKNESS: .094 (2.39mm)

7. AGENCY APPROVAL: UL LISTED, FILE E48521

8. DIMS SHOWN ARE FOR REFERENCE ONLY

REV	DESCRIPTION	QUALITY SYMBOLS
B	ADDED GREEN & BLUE P/NS EC NO: IPG2014-0682 DRWR:RSTONE 2013/10/15 CHKD:RUPERT 2013/10/17 APPR:JMURPHY 2013/11/23	▽=0 ▽=0

GENERAL TOLERANCES (UNLESS SPECIFIED)	
mm	INCH
4 PLACES ± .005	± .0004
3 PLACES ± .004	± .0003
2 PLACES ± .003	± .0002
1 PLACE ± .002	± .0001
0 PLACE ± .001	± .0000
ANGULAR ± .0001	

DIMENSION STYLE	
IN/MM	
DRAWN BY	DATE
RSTONE	2013/05/21
CHECKED BY	DATE
B RUPERT	2013/05/23
APPROVED BY	DATE
BWOODMAN	2013/06/12

SCALE	DESIGN UNITS	THIRD ANGLE PROJECTION
5:1	METRIC	
TERMINAL BLOCK .138 (3.5MM) PITCH WITH PEGS 		
DOCUMENT NO.		SHEET NO.
SEE CHART		1 OF 1
THIS DRAWING CONTAINS INFORMATION THAT IS PROPRIETARY TO MOLEX INCORPORATED AND SHOULD NOT BE USED WITHOUT WRITTEN PERMISSION		