

UL924 Enclosed 20 AMP Automatic Power Transfer Control Relay

EMERGENCY LIGHTING BYPASS CONTROLS



PROJECT INFORMATION

Project Name _____

Catalog No. _____

Date _____



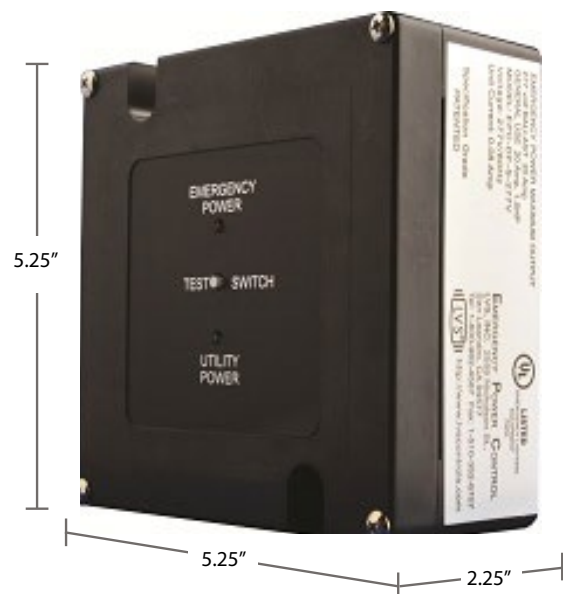
UL924BRLN

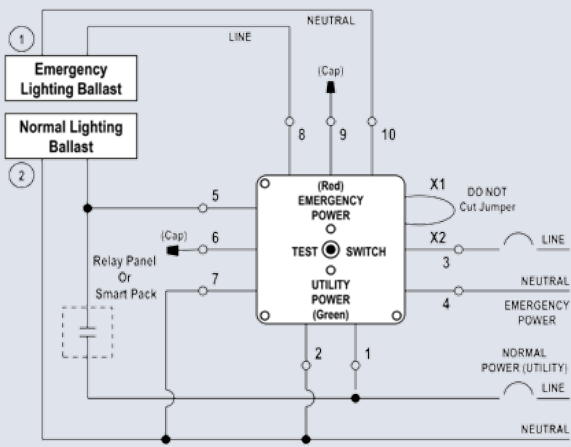
Hubbell Controls' enclosed 20 Amp Emergency Power Transfer Control Relay is a versatile, cost-effective unit, specifically designed for projects requiring hot and neutral switching of the load from normal circuit to emergency circuit or that include the requirement that 0-10V dimming circuits be brought to full brightness during the emergency transfer event.

The unit senses loss or voltage drop of the normal utility source and within 1.5 seconds transfers the load including the neutral to the emergency source. When power is restored, the unit transfers the load back to normal utility power within 1.5 seconds. An integral momentary test switch simulates utility power failure and can be activated at any time. Any interruption of normal utility power will automatically transfer designated emergency lights to full bright regardless of current dim level or ON/OFF state of the system.

PRODUCT FEATURES

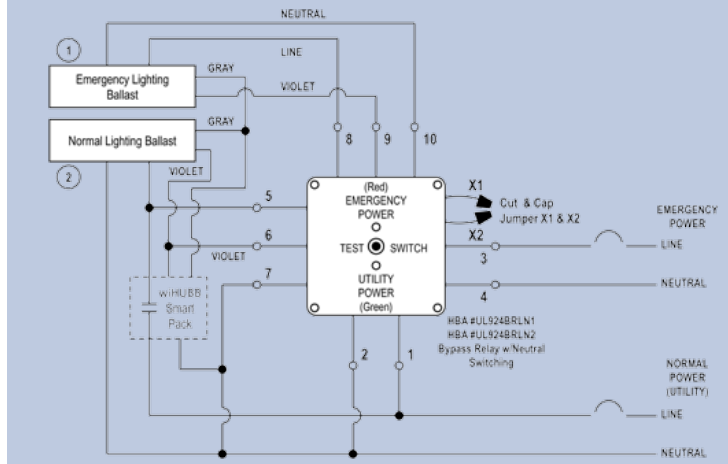
- 20 Amp 120/277VAC Relay
- N/C isolated contacts
- 0-10V Dimming Control to Full upon Transfer
- UL listed
- No minimum load requirement
- Five-year warranty
- 120-277 Vac





For use with LX, CX Panels, Power Packs and wiHUBB™ Smart Packs.

- ① Switched with Normal Load when Normal Power is available.
Held ON when Normal Power is not available and Emergency Power is available.
- ② Switched with Normal Load when Normal Power is available.
Not powered when Normal Power is not available.



General Specifications

| | |
|-------------------------|--|
| # Relays & Contact Type | Six (6) SPST Continuous Duty Electrically Held Coil with Time Delay |
| Contact Ratings | 1800 VA Tungsten @ 120VAC 20 Amp Ballast @ 120/277VAC |
| Coil Current | 0.06 A @ 120VAC 0.06 A @ 277VAC |
| Coil Voltage Input | UL924BRLN1: 120VAC; 60Hz UL924BRLN2: 277VAC; 60Hz |
| Operating environment | Indoor use only 32° to 140°F Relative humidity (non-condensing): 0% to 95% |
| Dimensions | 5.125" x 5.125" x 2.25" with mounting holes for 4 11/16" deep box |
| Housing Rating | Plenum, NEMA 1 |
| Flame Rating | UL94V-0 |
| Wires | 7", 105° C, 600V Rated |
| Certifications | UL Listed, UL924 |
| Warranty | Five years |

Ordering Information

| MODEL | |
|-------------------|--|
| UL924BRLN1 | UL924 Emergency Transfer Control Relay with manual test 120V Coil, 0-10V control |
| UL924BRLN2 | UL924 Emergency Transfer Control Relay with manual test 277V Coil, 0-10V control |



HUBBELL
Control Solutions