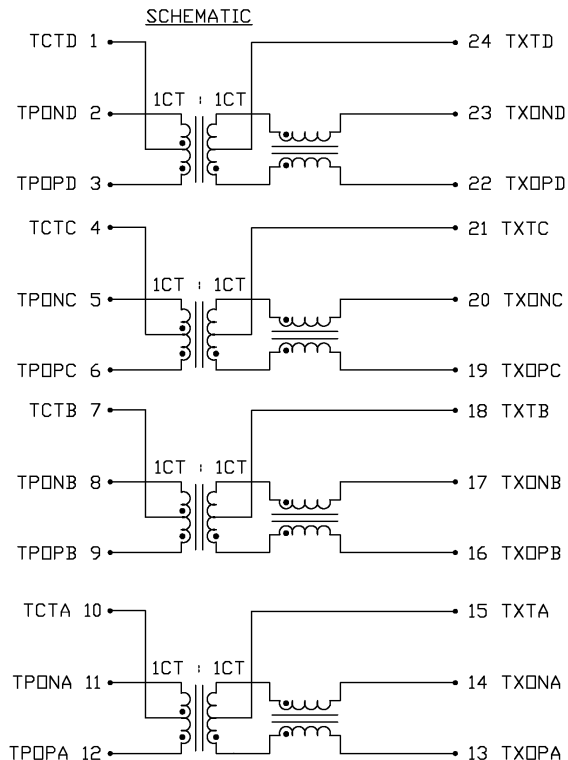


THE INFORMATION CONTAINED HEREIN IS CONSIDERED "PROPRIETARY" TO BEL FUSE INC. AND SHALL NOT BE COPIED, REPRODUCED OR DISCLOSED WITHOUT THE WRITTEN APPROVAL OF BEL FUSE INC.

ELECTRICAL CHARACTERISTICS @ 25°C



URNS RATIO

<3-1-2> : <22-24-23>
 <6-4-5> : <19-21-20>
 <9-7-8> : <16-18-17>
 <12-10-11> : <13-15-14>

1CT : 1CT
 1CT : 1CT
 1CT : 1CT
 1CT : 1CT

OCL

350μH MIN. AT 100kHz, 100mV
 WITH 8mA DC BIAS @25°C

INSERTION LOSS

1.1dB MAX. @ 0.1 TO 1MHz
 0.5dB MAX. @ 1 TO 65MHz
 1.0dB MAX. @ 80MHz
 1.2dB MAX. @ 125MHz

RETURN LOSS

UNDER 100 OHM
 ±15% ENVIRONMENT

18dB MIN. @ 0.5 TO 40 MHz
 12-20LOG (f/80MHz) MIN.
 @ 40 TO 100 MHz

COMMON TO COMMON REJECTION

30dB MIN. @ 0.1 TO 100 MHz

CROSS TALK

@ 1 TO 100 MHz
 33-20 LOG (f/100 MHz) dB MIN

HIPOT

PER HAND-WORK-03

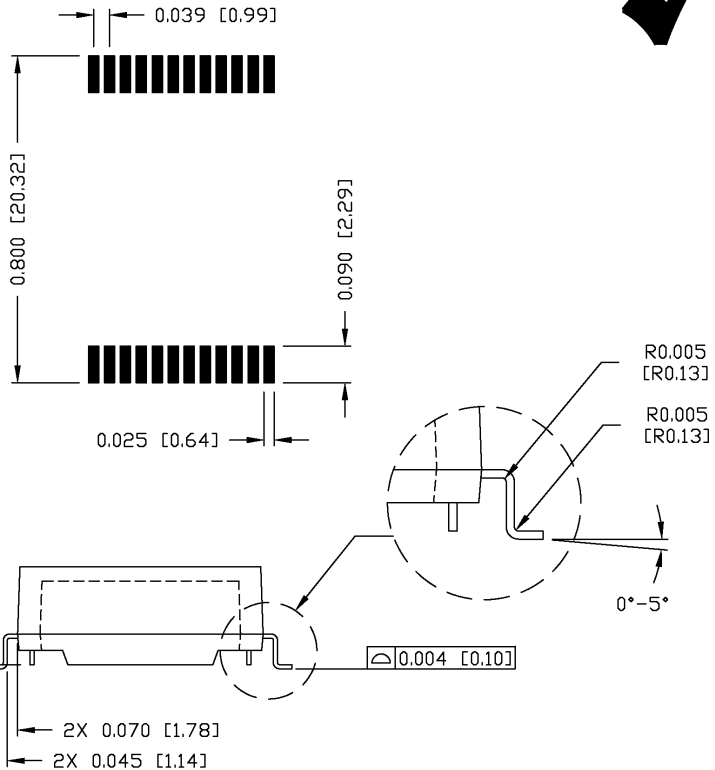
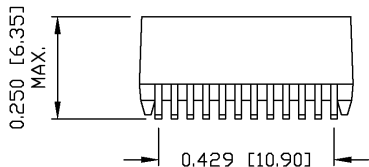
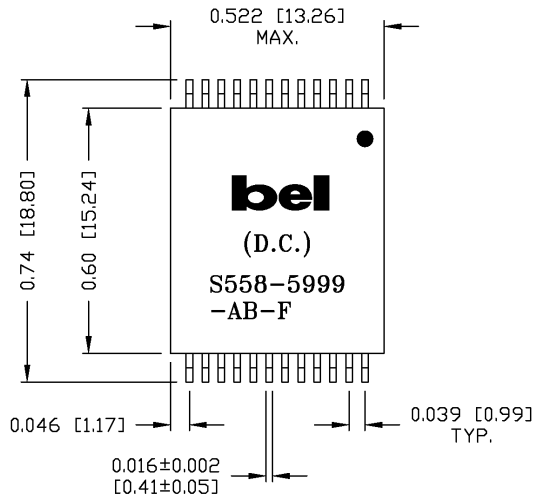
OPERATION TEMPERATURE: -40°C TO 85°C

| | | | | | | |
|---------------|----------|----------------------------|------------------------|---------------|------------------------------|-----------|
| ORIGINATED BY | DATE | TITLE | PART NO. / DRAWING NO. | STANDARD DIM. | [] METRIC DIM. AS REFERENCE | |
| HO | 09-15-05 | GIGABIT ETHERNET MAGNETICS | X5585999AB-F | TOL. IN INCH | UNIT : INCH [mm] | |
| DRAWN BY | DATE | | FILE NAME | .X | SCALE : N/A | SIZE : A4 |
| DQ Chen | 09-15-05 | S558-5999-AB-F | X5585999ABFA.DWG | .XX | | PAGE : 2 |
| | | | | .XXX | | |

THE INFORMATION CONTAINED HEREIN IS CONSIDERED "PROPRIETARY" TO BEL FUSE INC. AND SHALL NOT BE COPIED, REPRODUCED OR DISCLOSED WITHOUT THE WRITTEN APPROVAL OF BEL FUSE INC.



SUGGESTED PCB PAD LAYOUT



NOTES:

- STANDARD MARKING REFER TO DDC. HAND-WORK-04.
- PACKAGE CODE: "QTS001".

| | | | | | | |
|---------------|----------|----------------|------------------------|----------------------------|------------------------------|--------------------------------------|
| ORIGINATED BY | DATE | TITLE | PART NO. / DRAWING NO. | STANDARD DIM. TOL. IN INCH | [] METRIC DIM. AS REFERENCE | COMPONENTS OF A CONNECTED PLANET |
| HO | 09-15-05 | | MECHANICAL DRAWING | X5585999AB-F | .X | |
| DRAWN BY | DATE | S558-5999-AB-F | FILE NAME | .XX ±0.01 | SCALE : N/A | REV. : A |
| DQ Chen | 09-15-05 | | X5585999ABFA.DWG | .XXX ±0.005 | SCALE : N/A | SIZE : A4 |