

4831, solder terminal, insulated, 3-pole, Audio Plug/Sockets, 2.5 mm



### Description

- Solder terminal :  
for cable mounting
- Audio entrances and exits
- Data and Signal transfer
- Audio Plug: 3-pole , insulated , angled

### References

Alternative: Housing shielded [4831.1300](#)

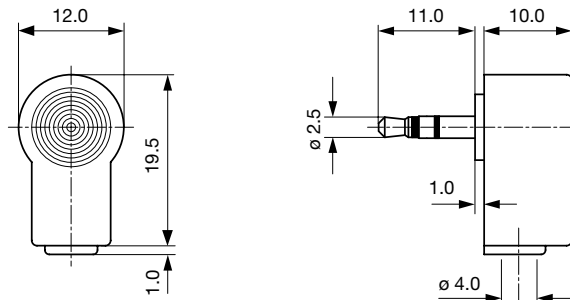
### Technical Data

Diameter	2.5 mm
Number of Poles	3-pole
Ratings DC	0.5 A / 30VDC
Ratings AC	0.5 A / 30VAC
Dielectric Strength	500VDC
Insulation Resistance	> 100 MΩ @ 500VDC

Allowable Operation Temperature	-20 °C to 70 °C
Terminal	solder terminal nickel-plated
Housings	insulated
Style	angled
Lifetime	5000 Insertions

Detailed information on product approvals, code requirements, usage instructions and detailed test conditions can be looked up in [General Product Information](#)

### Dimensions



Cable diameter max. 4.0 mm

### All Variants

Product group	Diameter [mm]	Number of Poles	Terminal	Order Number
Audio Plug/Sockets	2.5	3-pole	solder terminal	<a href="#">4831.1320</a>

Availability for all products can be searched real-time: <http://www.schurter.com/en/Stock-Check/Stock-Check-SCHURTER>

**Packaging unit** 100 Pcs

## Mating Outlets/Connectors

### Category / Description

[Audio Plug/Sockets Overview complete](#)



4831, solder terminal, screened, 3-pole, Audio Plug/Sockets, 2.5 mm	4831.2300
4831, PCB terminals, screened, 3-pole, Audio Plug/Sockets, 2.5 mm	4831.2320
4831, PCB terminals, insulated, 3-pole, Audio Plug/Sockets, 2.5 mm	4831.2330
4831, solder terminal, insulated, 3-pole, Audio Plug/Sockets, 2.5 mm	4831.3300

[Audio Plug/Sockets further types to 4831.1320](#)