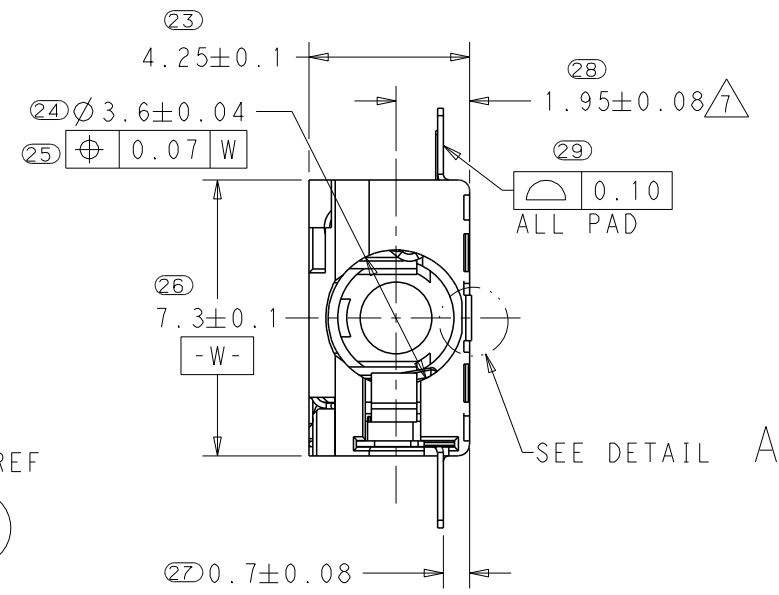
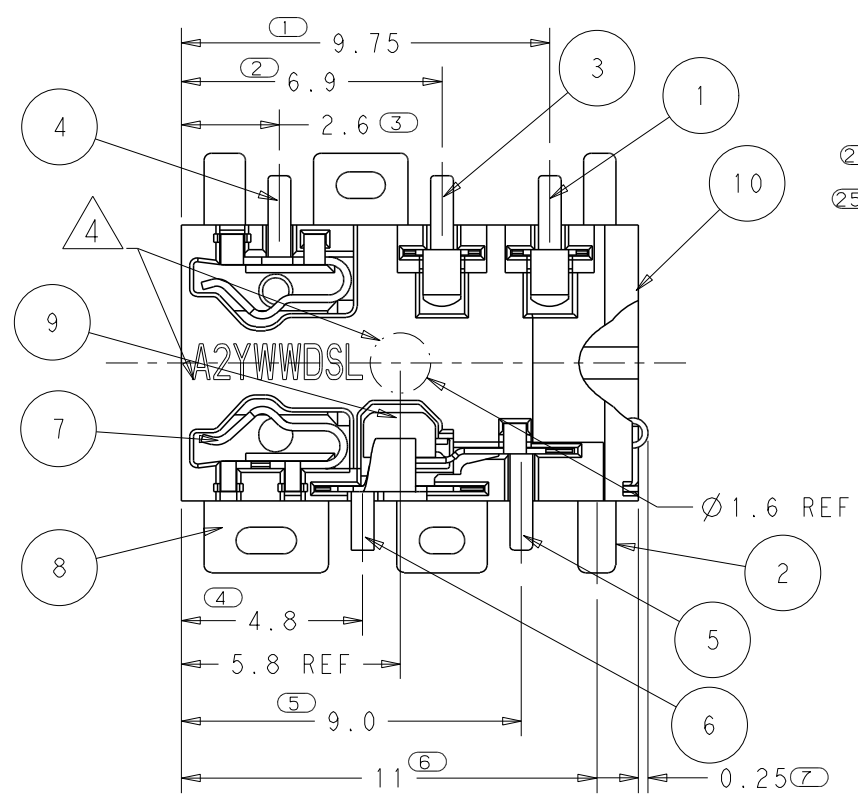
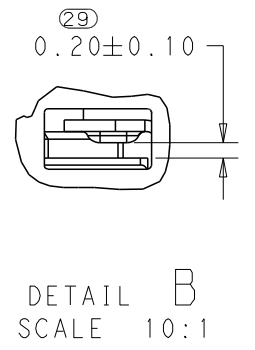
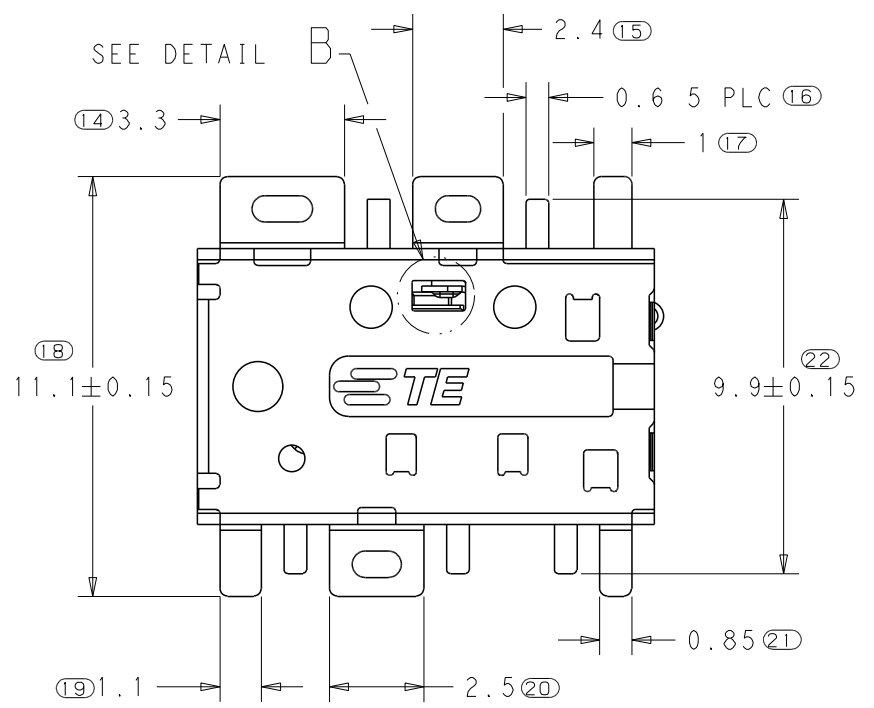
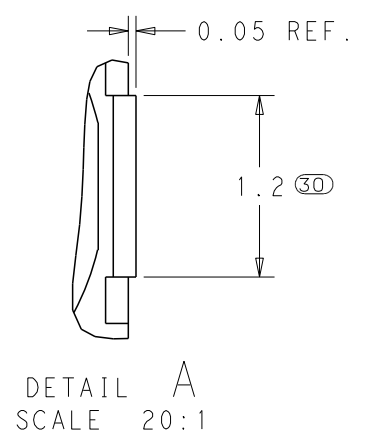
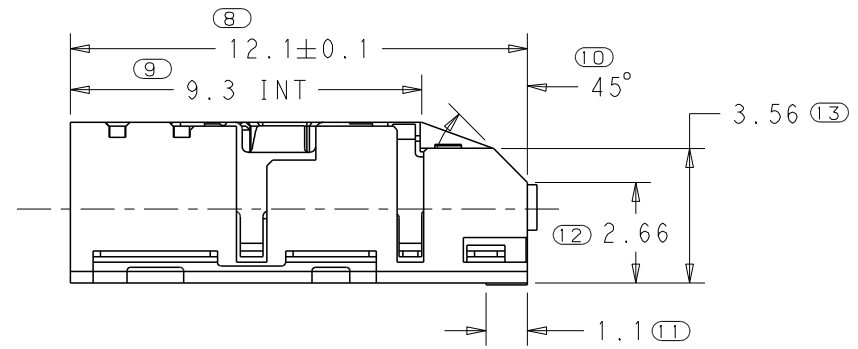


LOC	DIST	REVISIONS			
P	LTR	DESCRIPTION	DATE	DWN	APVD
ES	00	A	INITIAL RELEASE	19MAY2015	B.L J.L



NOTE:
 1. MATERIAL: PLEASE SEE THE TABLE.
 2. FINISH:
 CONTACT: 0.3um MIN. PdNi AND GOLD FLASH ON CONTACT SURFACE AND GOLD FLASH PLATING ON SOLDERING SURFACE.
 ALL OVER 1.3um MIN. NICKEL UNDERPLATING.
 RETENTION CONTACT NO NEED PLATING.
 FRAME: 1.3um Min TIN PLATING OVER ALL AND 1.3um Min. NICKEL UNDER PLATING.
 3. COPLANARITY: 0.10 MAX. AMONG ALL SOLER TAILS.
 ▲ INDICATED SURFACE TO BE USED AS PICK UP AND DATE CODE MARKING AREA.
 DATE CODE: "A2YWWSL"
 V1=VERSION NO. FOR EXAMPLE: P1, V1, A1
 P=PROTO TOOL; V=PRODUCTION TOOL; A=MASS APPROVED.
 YWWD=PRODUCTION DATE (YEAR, WEEK, DAY)
 S=SHIFT (D=DAY, N=NIGHT); L=LINE NUMBER.
 5. PACKAGING: TAPE & REEL.



2199088-2: AS SHOWN

ITEM	DESCRIPTION	QTY	MATERIAL	FINISH
10	HOUSING	1	THERMOPLASTIC	-
9	SWITCH HOUSING	1	THERMOPLASTIC	-
8	FRAME SHELL	1	STAINLESS STEEL	SEE NOTE
7	RETENTION CONTACT	1	STAINLESS STEEL	SEE NOTE
6	PLUG DET CONTACT	1	COPPER ALLOY	SEE NOTE
5	SWITCH CONTACT	1	COPPER ALLOY	SEE NOTE
4	LEFT AUDIO CONTACT	1	COPPER ALLOY	SEE NOTE
3	RIGHT AUDIO CONTACT	1	COPPER ALLOY	SEE NOTE
2	GND CONTACT	1	COPPER ALLOY	SEE NOTE
1	MIC CONTACT	1	COPPER ALLOY	SEE NOTE

THIS DRAWING IS A CONTROLLED DOCUMENT.

DWN	BILL LV	19MAY2015	TE Connectivity ASSEMBLY FOR 3.5mm Mid-mount AV Connector			
CHK	HAPYE WU	19MAY2015				
APVD	JASON LU	19MAY2015				
PRODUCT SPEC	108-115041-1					
APPLICATION SPEC	-		NAME			
MATERIAL	SEE TABLE		SIZE	CAGE CODE	DRAWING NO	RESTRICTED TO
FINISH	-		WEIGHT	A300779	C=2199088	
DIMENSIONS: mm TOLERANCES UNLESS OTHERWISE SPECIFIED: 0 PLC ±0.2 1 PLC ±0.15 2 PLC ±0.15 3 PLC ±0.05 4 PLC ±0.01 ANGLES ±2			CUSTOMER DRAWING SCALE 5:1 SHEET 1 OF 3 REV A			

4

3

2

1

THIS DRAWING IS UNPUBLISHED.

RELEASED FOR PUBLICATION

20

© COPYRIGHT 20

TE

ALL RIGHTS RESERVED.

LOC

DIST

REVISIONS

ES

00

P

LTR

DESCRIPTION

DATE

DWN

APVD

CONTACT NO.	DEFINITION	FOOTPRINT
⑥	PLUGDET	g
⑤	SWITCH	f
④	HS EAR L	e
③	HS EAR R	d
①	HS MIC	c
②	HS GND	b

CIRCUIT DIAGRAM
OMP STANDARD

CONTACT NO.	DEFINITION	FOOTPRINT
⑥	PLUGDET	g
⑤	SWITCH	f
④	HS EAR L	e
③	HS EAR R	d
①	HS GND	c
②	HS MIC	b

CIRCUIT DIAGRAM
AHJ STANDARD

SCALE 5:1

PCB LAYOUT
RECOMMENDED DIMENSION TOLERANCE IS +/-0.05

2.0 REF.

AFTER PLUG FULL MATING

THIS DRAWING IS A CONTROLLED DOCUMENT.

DWN 19MAY2015

CHK BILL LV 19MAY2015

HAPYE WU 19MAY2015

APVD JASON LU 19MAY2015

PRODUCT SPEC

108-115041-1

APPLICATION SPEC

-

WEIGHT 0.5087

TE Connectivity

NAME

ASSEMBLY FOR
3.5mm Mid-mount AV Connector

SIZE

CAGE CODE

DRAWING NO

RESTRICTED TO

A

300779

C=2199088

CUSTOMER DRAWING

SCALE 5:1

SHEET 2 OF 3

REV A

DIMENSIONS:

mm

TOLERANCES UNLESS
OTHERWISE SPECIFIED:

0 PLC	±0.2
1 PLC	±0.15
2 PLC	±0.15
3 PLC	±0.05
4 PLC	±0.01
ANGLES	±2

MATERIAL SEE TABLE

FINISH -

1470-19 (3/11)

4

3

2

1

THIS DRAWING IS UNPUBLISHED.

RELEASED FOR PUBLICATION

20

© COPYRIGHT 20

TE

ALL RIGHTS RESERVED.

LOC

DIST

REVISIONS

ES

00

P

LTR

DESCRIPTION

DATE

DWN

APVD

SEE SHEET 1

16 PITCH

2 TYP.

7.6 TYP.

11.5

24

$\text{Ø}1.5^{+0.2}_0$

A

A

SCALE 2:1

USER DIRECTION OF UNREELING

WITHOUT CHARGE
20PCS REFWITH PRODUCT CHARGE
850PCSWITHOUT CHARGE
20PCS REF

0.4 TYP.

4.6

4.1

SECTION A-A

PACKING QUANTITY		
PCS/REEL	REEL/BOX	PCS/BOX
850	10	8500

THIS DRAWING IS A CONTROLLED DOCUMENT.

DWN 19MAY2015

CHK BILL LV 19MAY2015

APVD HAPYE WU 19MAY2015

JASON LU

PRODUCT SPEC

108-115041-1

APPLICATION SPEC

-

WEIGHT 0.5087

TE Connectivity

NAME

ASSEMBLY FOR
3.5mm Mid-mount AV Connector

SIZE

CAGE CODE

DRAWING NO

RESTRICTED TO

A 300779 ©=2199088

DIMENSIONS:

mm

TOLERANCES UNLESS

OTHERWISE SPECIFIED:

0 PLC	±0.2
1 PLC	±0.15
2 PLC	±0.15
3 PLC	±0.05
4 PLC	±0.01
ANGLES	±2

MATERIAL

SEE TABLE

FINISH

-

CUSTOMER DRAWING

SCALE 5:1

SHEET 3 OF 3

REV A

1470-19 (3/11)