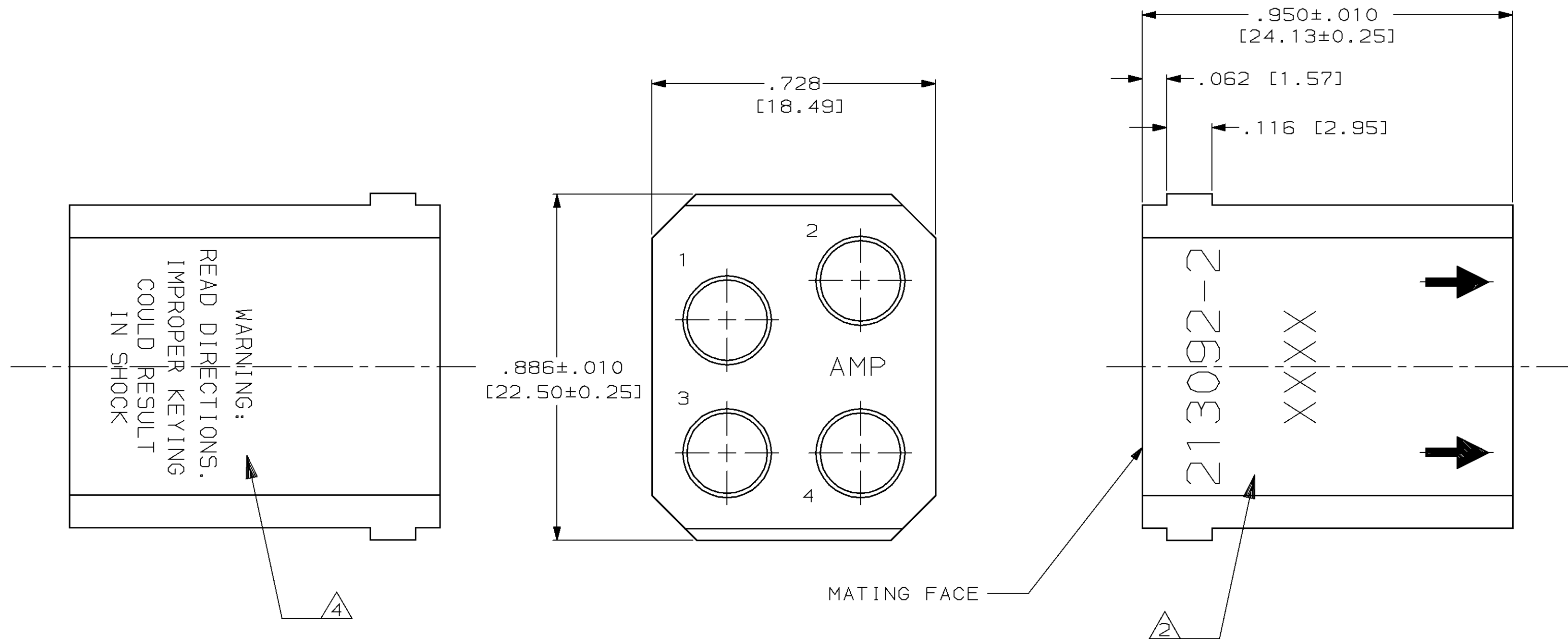


| LOC | DIST | P | F | ZONE | LTR | DESCRIPTION             | DATE     | APPD |
|-----|------|---|---|------|-----|-------------------------|----------|------|
| DF  | BO   |   |   |      | B   | REV & REDRAWN DF-4297   | PY 11-91 | DBM  |
|     |      |   |   |      | C   | REV PER 0600-4161-95 JB | 08-30-95 | DBM  |



- 1 MATERIAL: DIALLYL PHTHALATE PER MIL-M-14, TYPE SDG-F, COLOR-BLUE
- 2 AMP PART NO AND DATE CODE AND ARROWS MARKED WITH WHITE INK OR BY LASER MARKING AT APPROXIMATE AREA SHOWN
- 3. THIS MODULE ACCEPTS MINIATURE COAXICON AND TYPE I-SIZE 12 PIN CONTACTS
- 4 WARNING STATEMENT MARKED WITH WHITE INK AT APPROXIMATE AREA SHOWN.

|             |             |
|-------------|-------------|
| AS SHOWN    | 213092-2    |
| DESCRIPTION | PART NUMBER |

|  |                              |  |
|--|------------------------------|--|
| DO NOT SCALE PRINT. UNLESS SPECIFIED DIMENSIONS IN INCHES [mm]<br>TOLERANCES ON :<br>2 PLC DEC ± -<br>3 PLC DEC ± .005<br>ANGLES ± - | DR 7-16-91<br>P. YEAGER      | AMP Incorporated<br>Harrisburg, PA 17105-3608  |
|  | CHK 11-12-91<br>D.B. MUMMEY  |  |
| MATERIAL<br>1  | APPD 11-12-91<br>D.B. MUMMEY | NAME   |
|  | APPD -<br>PRODUCT SPEC -     | MALE BLOCK<br>4 POSN, G SERIES                 |
| FINISH -   | APPLICATION SPEC -           | SIZE C<br>CAGE CODE 00779<br>DRAWING NO 213092 |
|  | WEIGHT -                     | SCALE 4:1<br>SHEET 1 OF 1                      |