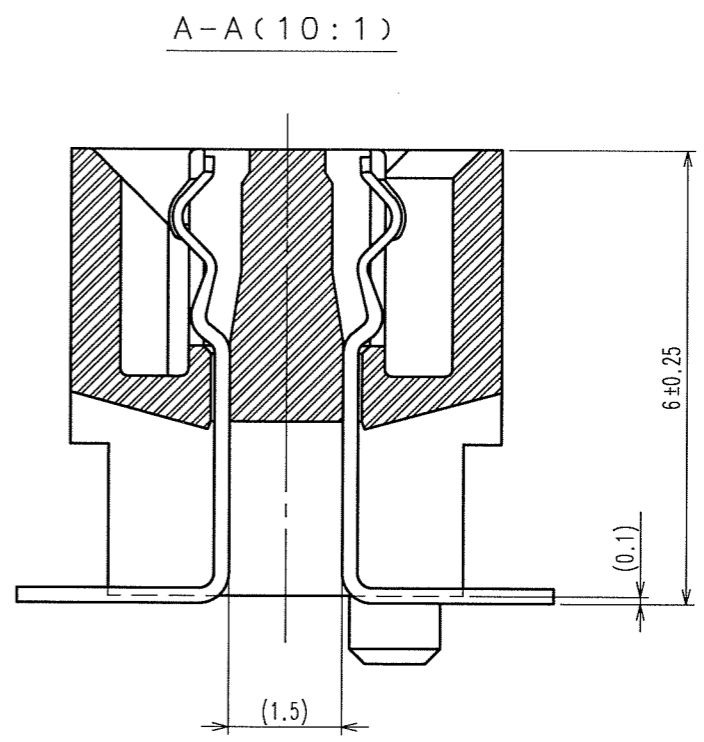
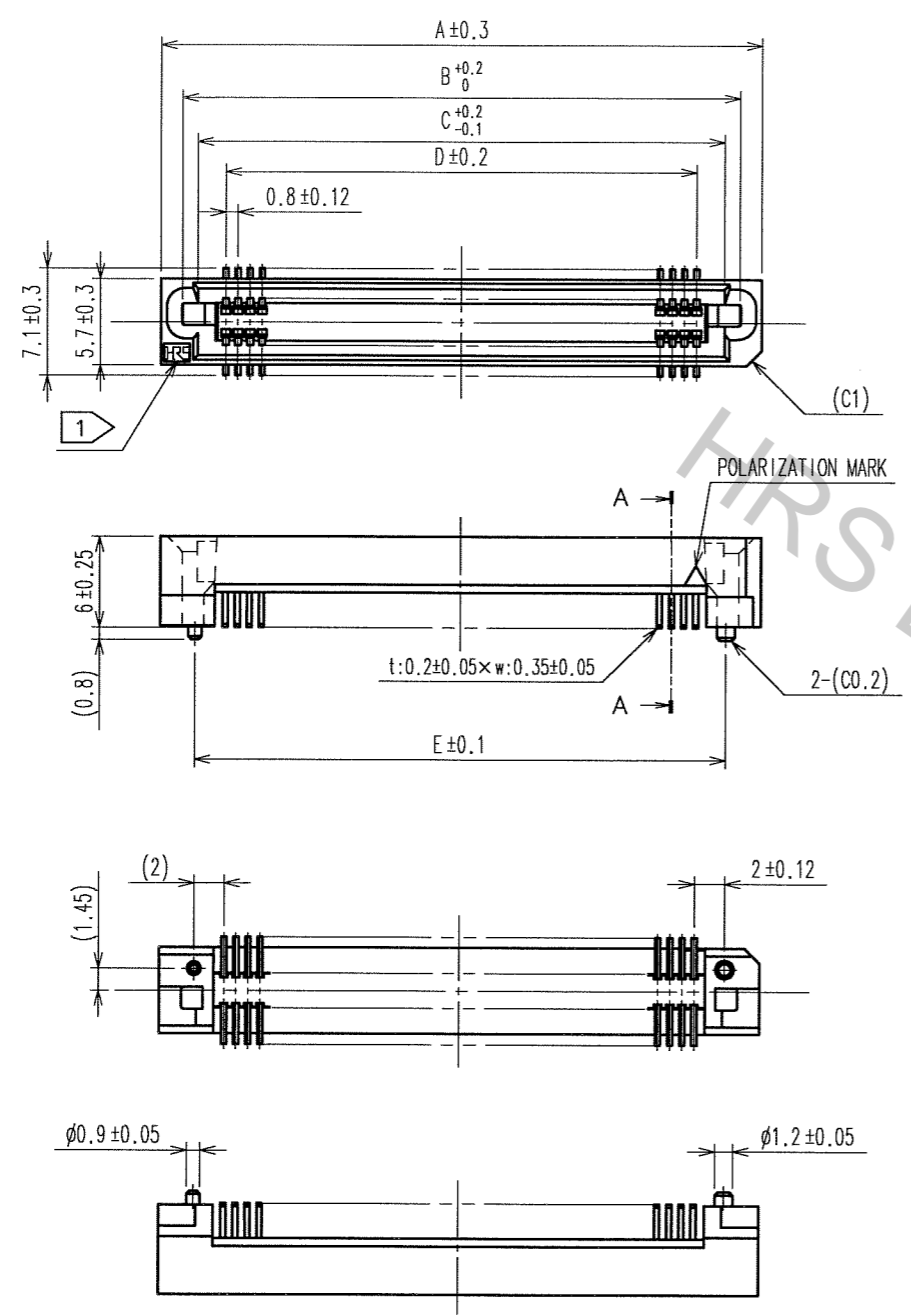


Apr.1.2017 Copyright 2017 HIROSE ELECTRIC CO., LTD. All Rights Reserved.

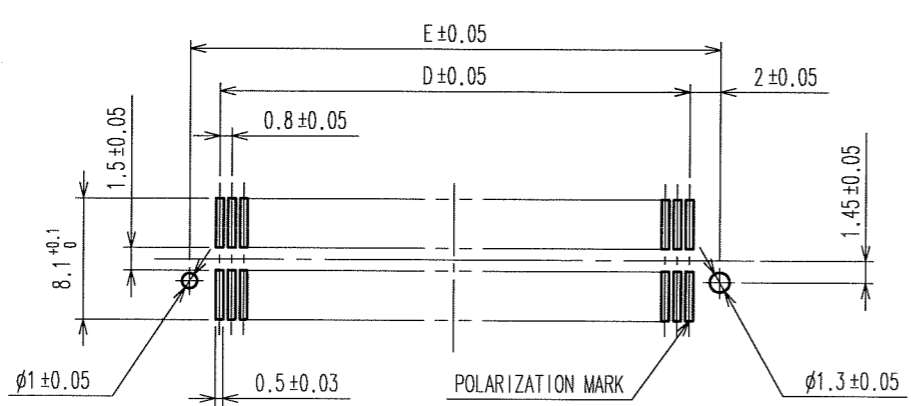
COUNT	DESCRIPTION OF REVISIONS	BY	CHKD	DATE	COUNT	DESCRIPTION OF REVISIONS	BY	CHKD	DATE
△					△				
△					△				
△					△				



DIMENSION TABLE OF CONNECTOR AND P.C.B. LAND PATTERN.

PART No.	CODE No.	5	A	B	C	D	E
FX6-20S-0.8SV2(71)	CL576-0121-5-71	20	15.8	12.95	10.9	7.2	11.2
FX6-40S-0.8SV2(71)	CL576-0123-0-71	40	23.8	20.95	18.9	15.2	19.2
FX6-50S-0.8SV2(71)	CL576-0124-3-71	50	27.8	24.95	22.9	19.2	23.2
FX6-60S-0.8SV2(71)	CL576-0125-6-71	60	31.8	28.95	26.9	23.2	27.2
FX6-80S-0.8SV2(71)	CL576-0127-1-71	80	39.8	36.95	34.9	31.2	35.2
FX6-100S-0.8SV2(71)	CL576-0128-4-71	100	47.8	44.95	42.9	39.2	43.2

RECOMMENDED LAND PATTERN DIMENSION OF P.C.B. (MOUNTING SIDE)



- NOTE
- 1 ▷ HRS MARK SHOULD BE OPTIONAL.
  2. LEAD CO-PLANARITY SHALL BE 0.1mm MAX.
  3. FOR MODIFICATION, ETC., PREVENTIVE HOLE FOR SINK MARK MAY BE ADDED ACCORDING TO CIRCUMSTANCES.
  4. THE DIMENSIONS IN PARENTHESES ARE FOR REFERENCE.
  - 5 ▷ NUMBER OF CONTACTS.

1	POLYPHENYLENE SULFIDE	LIGHT BROWN (UL94V-0)	2	PHOSPHOR BRONZE	CONTACT AREA: GOLD 0.1μm min. LEAD AREA: TIN-PLATING 1μm min. UNDER PLATING: NICKEL 2μm min.
NO.	MATERIAL	FINISH, REMARKS	NO.	MATERIAL	FINISH, REMARKS
CODE NO. (OLD) CL			DRAWN A. SUZUKAWA 05.07.13	DESIGNED J. Noda 05.07.23	CHECKED X. Oyama 05.07.23
			APPROVED H. Okawa 05.07.23	RELEASED	
SCALE FREE	DRAWING NO. EDC3-071178-25		PART NO. FX6-*S-0.8SV2(71)		
UNITS mm	HRS HIROSE ELECTRIC CO., LTD		CODE NO. CL576		1/1

TO PCK

