

THIS DRAWING IS UNPUBLISHED.

RELEASED FOR PUBLICATION

20

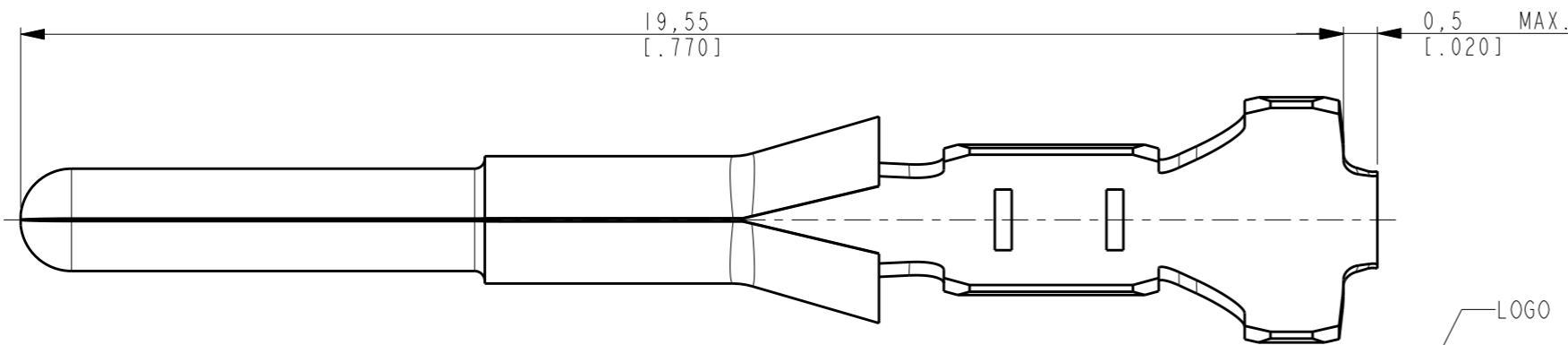
LOC
AP

DIST
-

REVISIONS

© COPYRIGHT 20 TE ALL RIGHTS RESERVED.

| P | LTR | DESCRIPTION | DATE | DWN | APVD |
|---|-----|--------------------|-----------|-----|------|
| | J | REV. ECO-11-020077 | 18OCT2011 | HC | WLS |

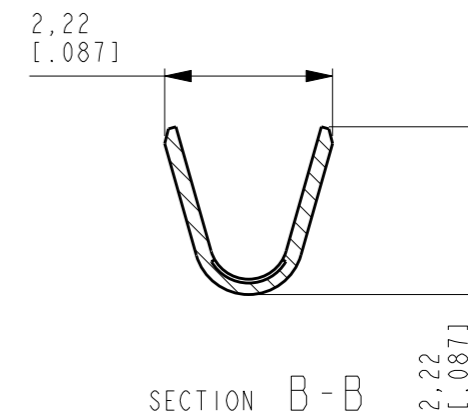
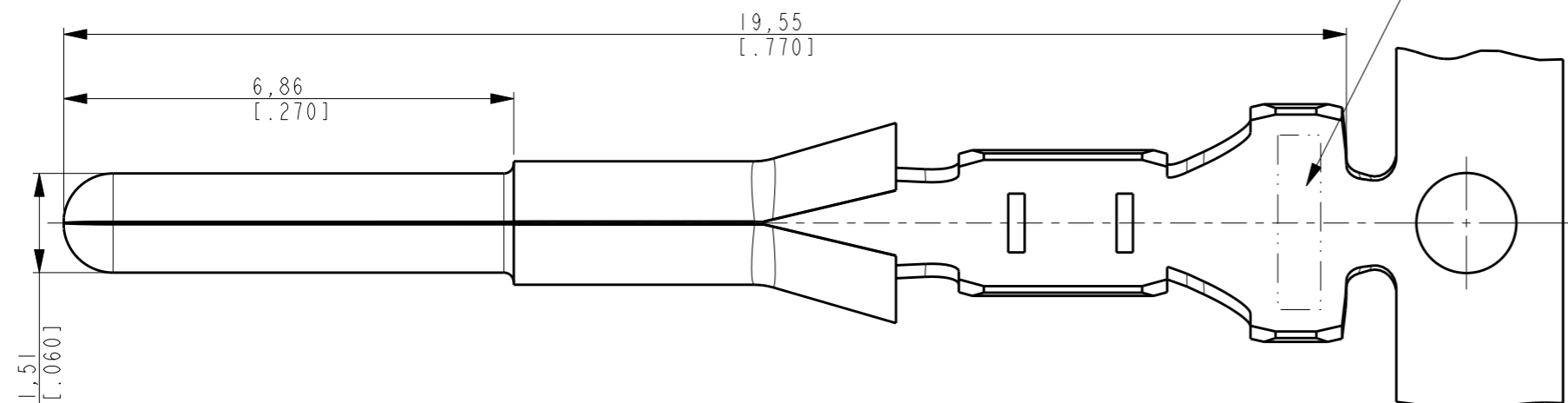


AFTER CUTOFF

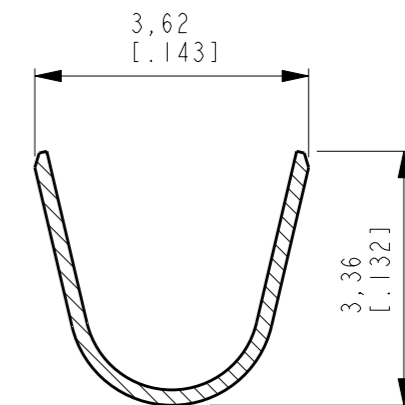
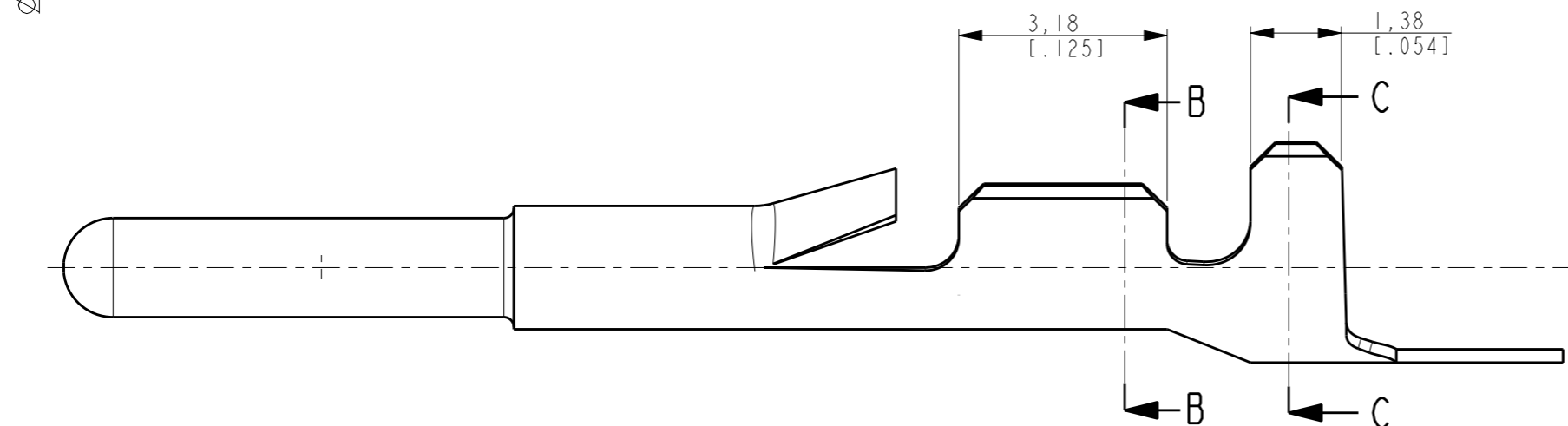
LOGO

NOTES:

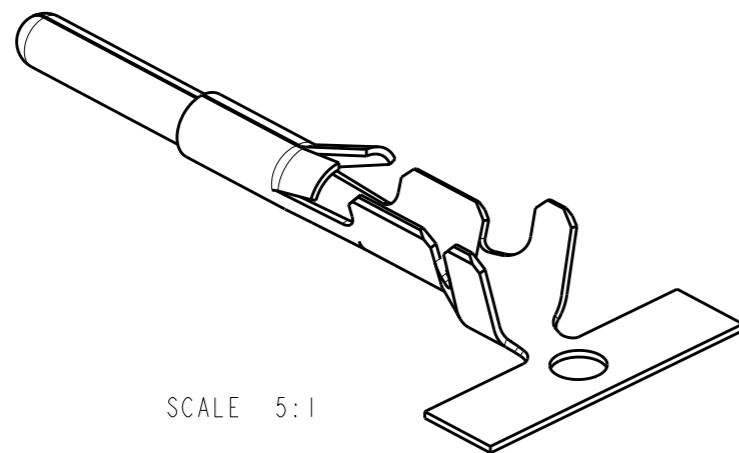
△ WIRE RANGE #22 TO #18 AWG; INSULATION RANGE 1,5 mm TO 2,8 mm [0.060 TO .100 INCH]



SECTION B-B



SECTION C-C



SCALE 5:1

| FINISH | MATERIAL | DESCRIPTION | PARTNUMBER |
|----------------------|----------|---------------|------------|
| POST TIN OVER NICKEL | BRASS | LOOSE PIECE | 61121-1 |
| PRE-TIN | BRASS | STRIP PRODUCT | 61062-3 |
| PRE-TIN OVER NICKEL | BRASS | STRIP PRODUCT | 61062-1 |

THIS DRAWING IS A CONTROLLED DOCUMENT.

DWN 11NOV2009 H.C.CANTERI

CHK 12NOV2009 W.L.STEFANI

APVD -

| DIMENSIONS: | TOLERANCES UNLESS OTHERWISE SPECIFIED: |
|-------------|--|
| mm [inch] | |
| 0 PLC | ±- |
| 1 PLC | ±- |
| 2 PLC | ±0,31(.012) |
| 3 PLC | ±- |
| 4 PLC | ±- |
| ANGLES | ±2° |

MATERIAL - FINISH -

PRODUCT SPEC -

APPLICATION SPEC -

WEIGHT -

CUSTOMER DRAWING

STE TE Connectivity

NAME .060 COMBOLINE PIN

| SIZE | CAGE CODE | DRAWING NO | RESTRICTED TO |
|------|-----------|------------|---------------|
| A3 | 00779 | C-61062 | - |

SCALE 10/1 SHEET 1 OF 1 REV J