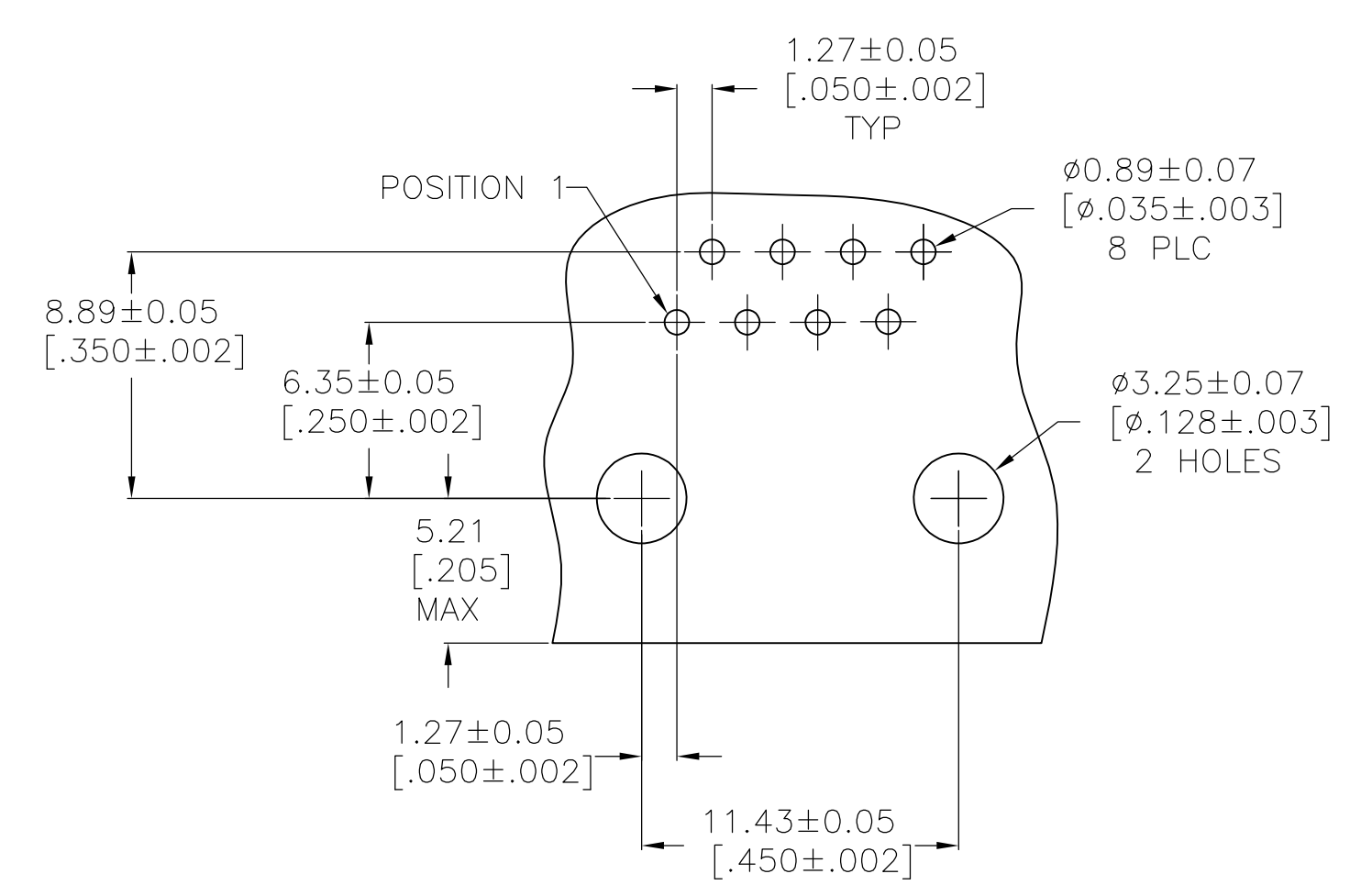
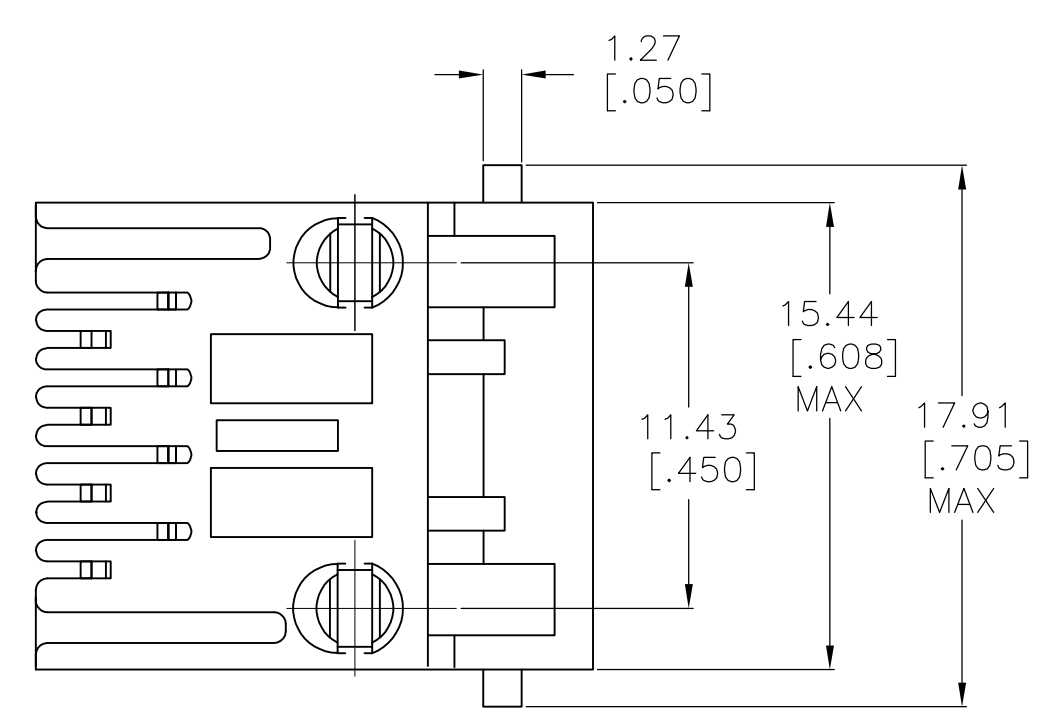
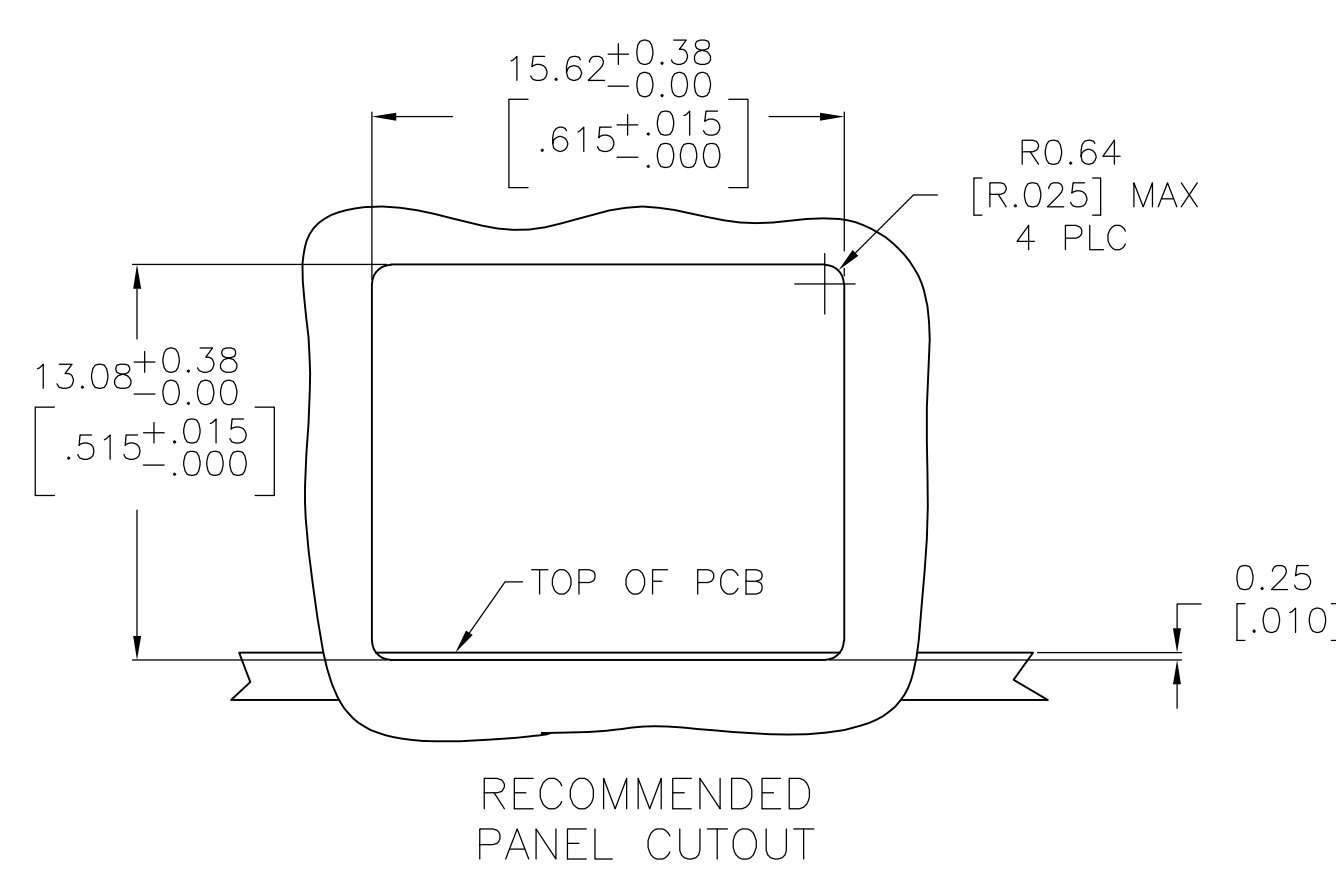
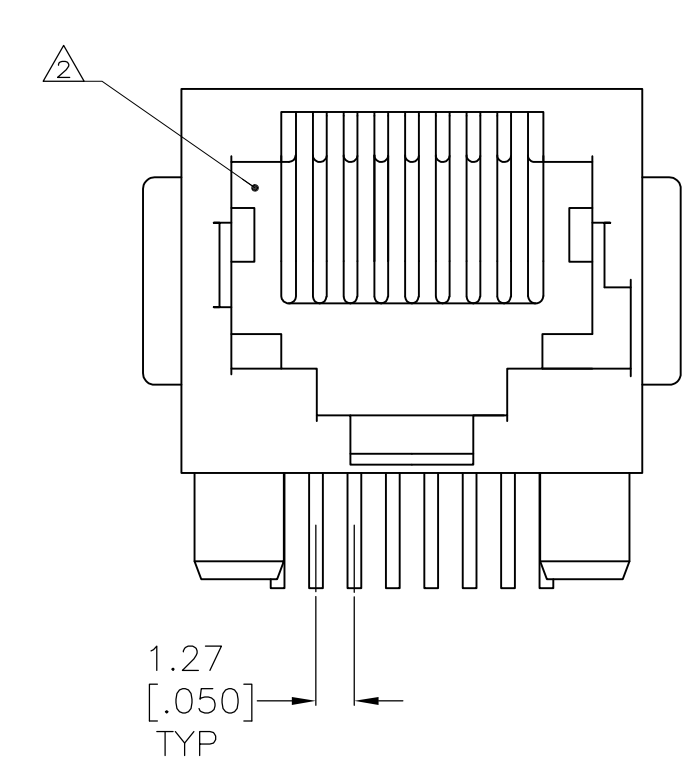
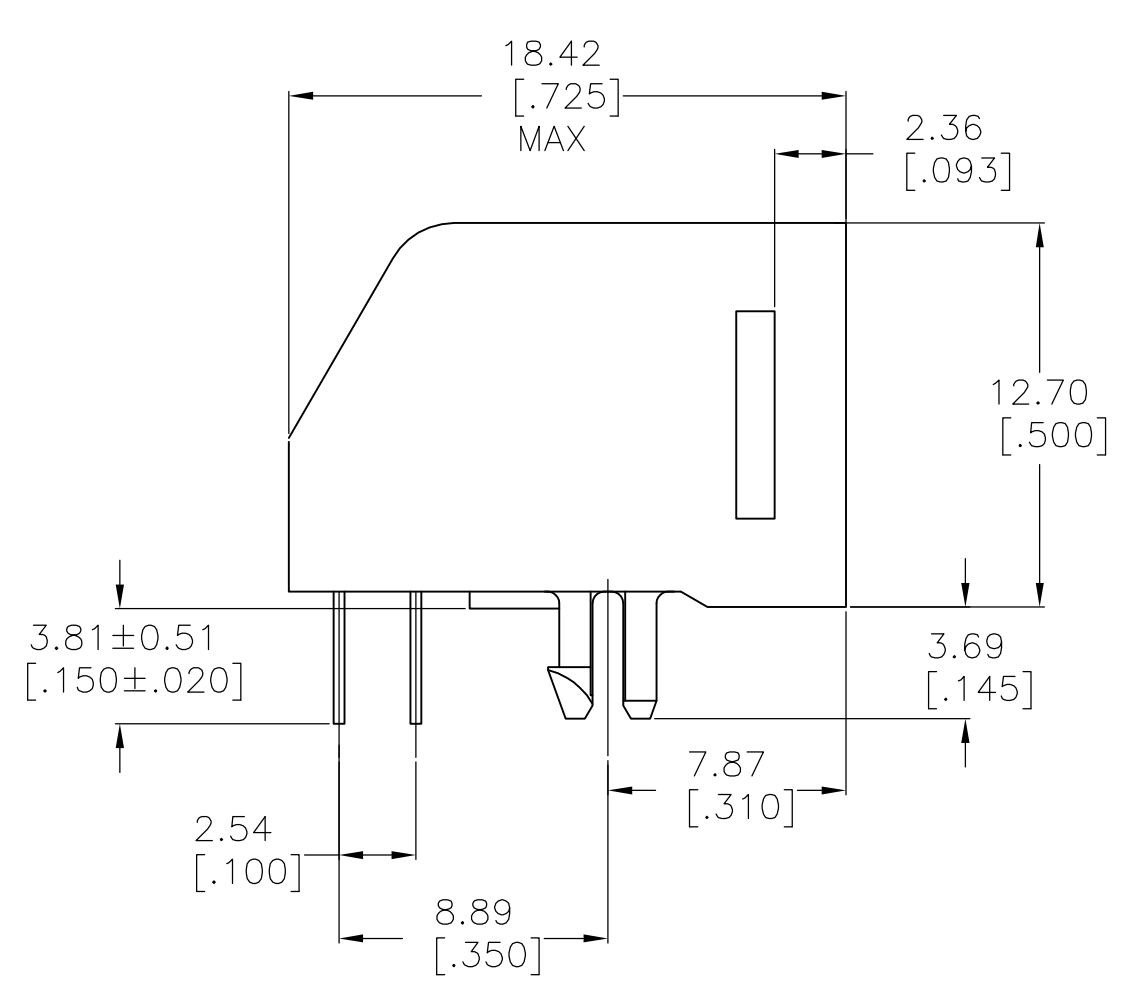


LOC		DIST		REVISIONS			
P	LTR	DESCRIPTION	DATE	DN	APVD		
D1		REVISED PER ECO-11-005033	24MAR11	RK	HMR		



RECOMMENDED PRINTED CIRCUIT BOARD LAYOUT COMPONENT SIDE SHOWN

- MATERIAL: HOUSING – PBT POLYESTER, COLOR: BLACK  
 TERMINAL – 0.36 [.014] THICK PHOS BRONZE PLATED WITH 1.27µm [.000050] MINIMUM THICK HARD GOLD IN LOCALIZED GOLD PLATE AREA AND 3.81µm [.000150] MINIMUM THICK MATTE TIN IN SOLDER AREA OVER 1.27µm [.000050] MINIMUM THICK NICKEL UNDERPLATE.
- △ CAVITY CONFORMS TO FCC RULES AND REGULATIONS PART 68, SUBPART F.

8	5555166-1
TERMINALS	PART NO

THIS DRAWING IS A CONTROLLED DOCUMENT.		DIN GA/LA-MAYER 05MAR2008		STE TE Connectivity																									
DIMENSIONS: mm [INCHES]		TOLERANCES UNLESS OTHERWISE SPECIFIED:		NAME																									
<table border="1"> <tr><td>0 PLC</td><td>± -</td></tr> <tr><td>1 PLC</td><td>± -</td></tr> <tr><td>2 PLC</td><td>± 0.13[.005]</td></tr> <tr><td>3 PLC</td><td>± -</td></tr> <tr><td>4 PLC</td><td>± -</td></tr> <tr><td>ANGLES</td><td>± -</td></tr> </table>		0 PLC	± -	1 PLC	± -	2 PLC	± 0.13[.005]	3 PLC	± -	4 PLC	± -	ANGLES	± -	<table border="1"> <tr><td>APVD</td><td>S. FLICKINGER</td></tr> <tr><td>PRODUCT SPEC</td><td>108-1163</td></tr> <tr><td>APPLICATION SPEC</td><td>114-2048</td></tr> </table>		APVD	S. FLICKINGER	PRODUCT SPEC	108-1163	APPLICATION SPEC	114-2048	<table border="1"> <tr><td>SIZE</td><td>A1</td></tr> <tr><td>CAGE CODE</td><td>00779</td></tr> <tr><td>DRAWING NO</td><td>5555166</td></tr> </table>		SIZE	A1	CAGE CODE	00779	DRAWING NO	5555166
0 PLC	± -																												
1 PLC	± -																												
2 PLC	± 0.13[.005]																												
3 PLC	± -																												
4 PLC	± -																												
ANGLES	± -																												
APVD	S. FLICKINGER																												
PRODUCT SPEC	108-1163																												
APPLICATION SPEC	114-2048																												
SIZE	A1																												
CAGE CODE	00779																												
DRAWING NO	5555166																												
MATERIAL SEE NOTE 1		FINISH SEE NOTE 1		CUSTOMER DRAWING																									
		SCALE 4:1		SHEET 1 OF 1 REV D1																									