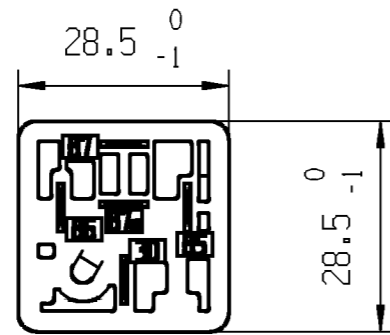


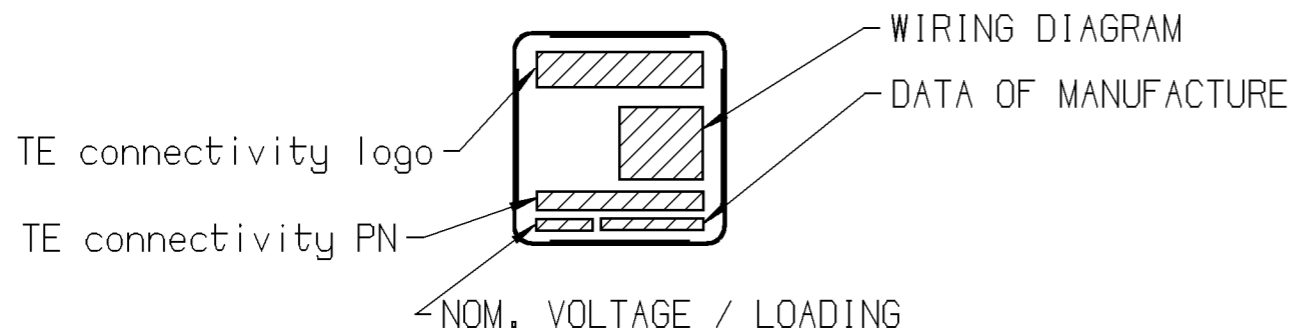
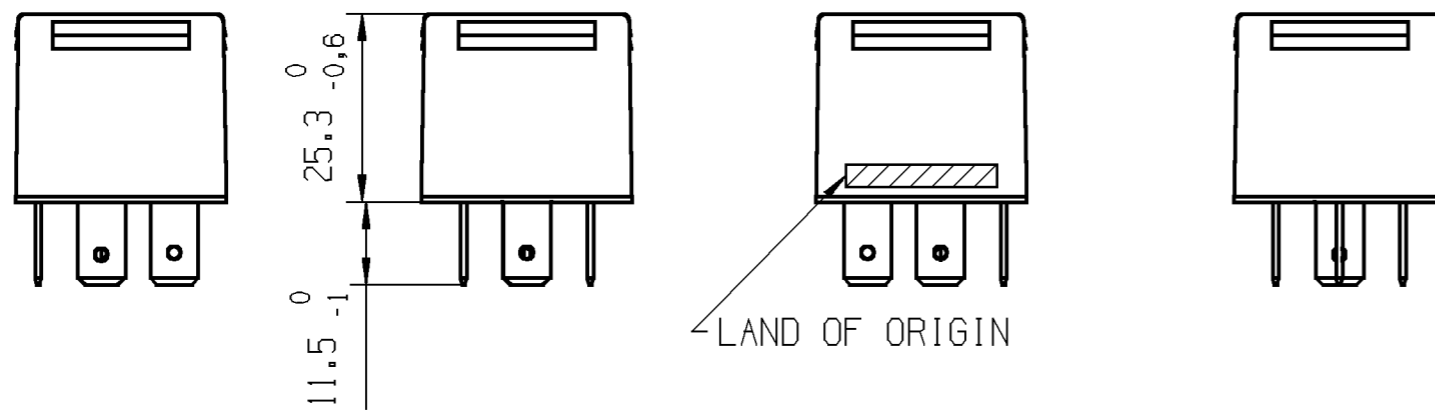
BLADE TERMINALS DIN 46 244-A6,3-0,8-CuZn Tin plated

DEGREE OF PROTECTION ACC. TO IEC529 = DIN 40 050 Teil 9

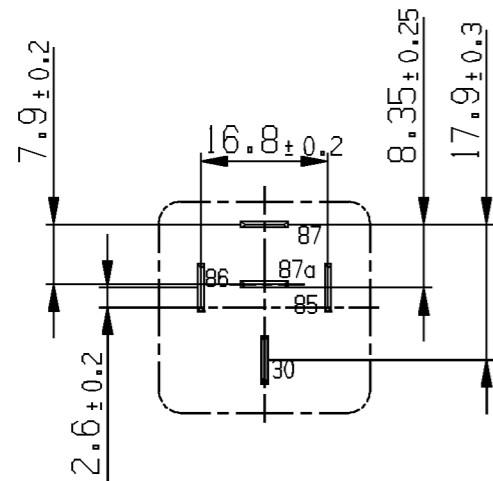
TERMINALS IP 20  
 HOUSING IP 5K4  
 IN CONNECTION WITH A CONNECTOR HOUSING  
 MOUNTING POSITION: TERMINALS SHALL POINT DOWNWARDS  
 FOR ALL OTHER POSITIONS PROTECTION GROUP IP 20 IS VALID



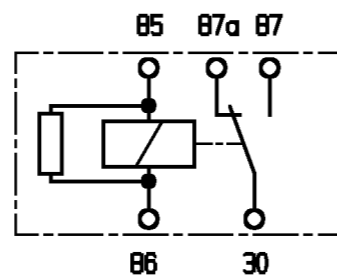
PART	MATERIAL	COLOUR
HOUSING	PA 66 GF 30±10 [%]	BLACK
BASE PLATE	PA 66 GF 30±10 [%]	NATURE



TERMINAL CONFIGURATION



WIRING DIAGRAM



OBSOLETE BOSCH P/N	TE connectivity P/N	REV	PART NUMBER	CUSTOMER P/N	CODE NO
0 332 209 206	0-1904025-5		V23234-A0004-X053		
	1-1904025-5				
	2-1904025-5				
	3-1904025-5				
	4-1904025-5				
	5-1904025-5				
	6-1904025-5				

PROPRIETARY  
 THE REPRODUCTION, TRANSMISSION OR USE OF THIS DOCUMENT OR IT'S CONTENTS IS NOT PERMITTED WITHOUT EXPRESSED WRITTEN AUTHORITY. OFFENDERS WILL BE LIABLE FOR ALL DAMAGES. ALL RIGHTS, INCLUDING RIGHTS CREATED BY REGISTERED PATENT(S) GRANTED FOR A UTILITY MODEL OR DESIGN, ARE RESERVED.

CHANGES TO THIS DRAWING MUST BE DONE ONLY IN CAD

PAPER SIZE **A3**

APPLICABLE SPEC.:

FINISH

DIMENSIONS APPLY PLATING

SCALE **1:1** WEIGHT **Ca. 34g**

MATERIAL

DIMENSIONS IN MM

REV.	CHANGE ORDER	DATE	APP.	DATE	NAME	PART NAME
B	ECO-11-015509	28JUL2011	A.P.	DWN.	2006-06-05	P. Tomas
A7	INITIAL VERSION	2007-10-15	PTom	APP.		
A6	---	2007-03-07	---	REV.		
A5	---	2007-01-15	---	LOCATION	AMR PE EVORA	
A4	---	2006-12-04	---			
A3	---	2006-11-06	---			
A2	---	2006-10-23	---			

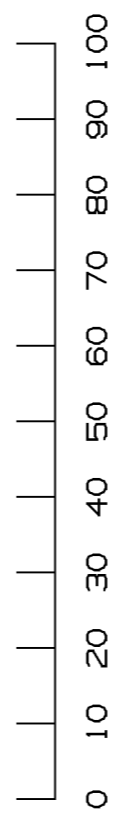
**STE** connectivity

PART NO. **V23234-A0004-X053**

SHT. **1** OF 2

CUSTOMER DRAWING

Nominal voltage (load and excitation circuit)	24 V
Permissible operating voltage	16...32 V
Permissible ambient temperature	-40...85 ° C
Response voltage (at 20 ° C)	≤ 16 V
Release voltage (at 20 ° C)	3...10.5 V
Response time	≤ 15 ms
Release time	≤ 15 ms
Contact material	Silver based
Equivalent coil resistance at terminal 85-86	216 ± 15 Ω
Voltage drop at blade terminals at a measuring current of 10A	
Normally Open Contact Terminal 30-87, in new condition	Typical 50 mV, Max. 300 mV
After life test	Max. 300 mV
Normally Closed Contact, Terminal 30-87a in new condition	Typical 50 mV, Max. 300 mV
After life test	Max. 300 mV
 Electrical Endurance	
Resistive Load 20A on NO	≥ 250.000cycles
Resistive Load 10A on NC	≥ 250.000cycles



PROPRIETARY THE REPRODUCTION, TRANSMISSION OR USE OF THIS DOCUMENT OR IT'S CONTENTS IS NOT PERMITTED WITHOUT EXPRESSED WRITTEN AUTHORITY. OFFENDERS WILL BE LIABLE FOR ALL DAMAGES. ALL RIGHTS, INCLUDING RIGHTS CREATED BY REGISTERED PATENT(S) GRANTED FOR A UTILITY MODEL OR DESIGN, ARE RESERVED.				CHANGES TO THIS DRAWING MUST BE DONE ONLY IN CAD		PAPER SIZE <b>A3</b>
APPLICABLE SPEC.:				FINISH		
				DIMENSIONS APPLY		PLATING
				TOLERANCE UNLESS SPECIFIED OTHERWISE	 DIMENSIONS IN MM	SCALE <b>1:1</b>
						WEIGHT <b>Ca. 34g</b>
				MATERIAL		
				PART NAME		
				<b>MINI RELAY B CHANGEOVER /24V</b>		
				PART NO.		
				<b>V23234-A0004-X053</b>		
				SHT. <b>2</b>		
				OF 2		
REV.	CHANGE ORDER	DATE	APP.	CUSTOMER DRAWING		

