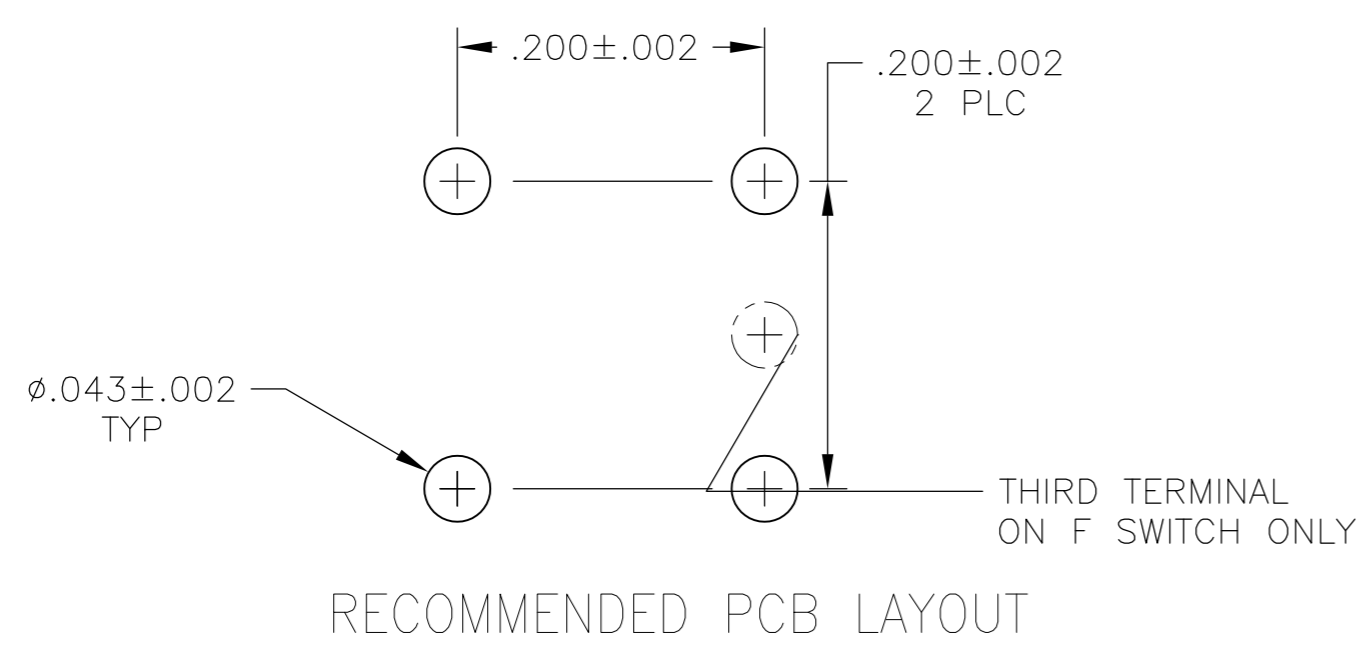
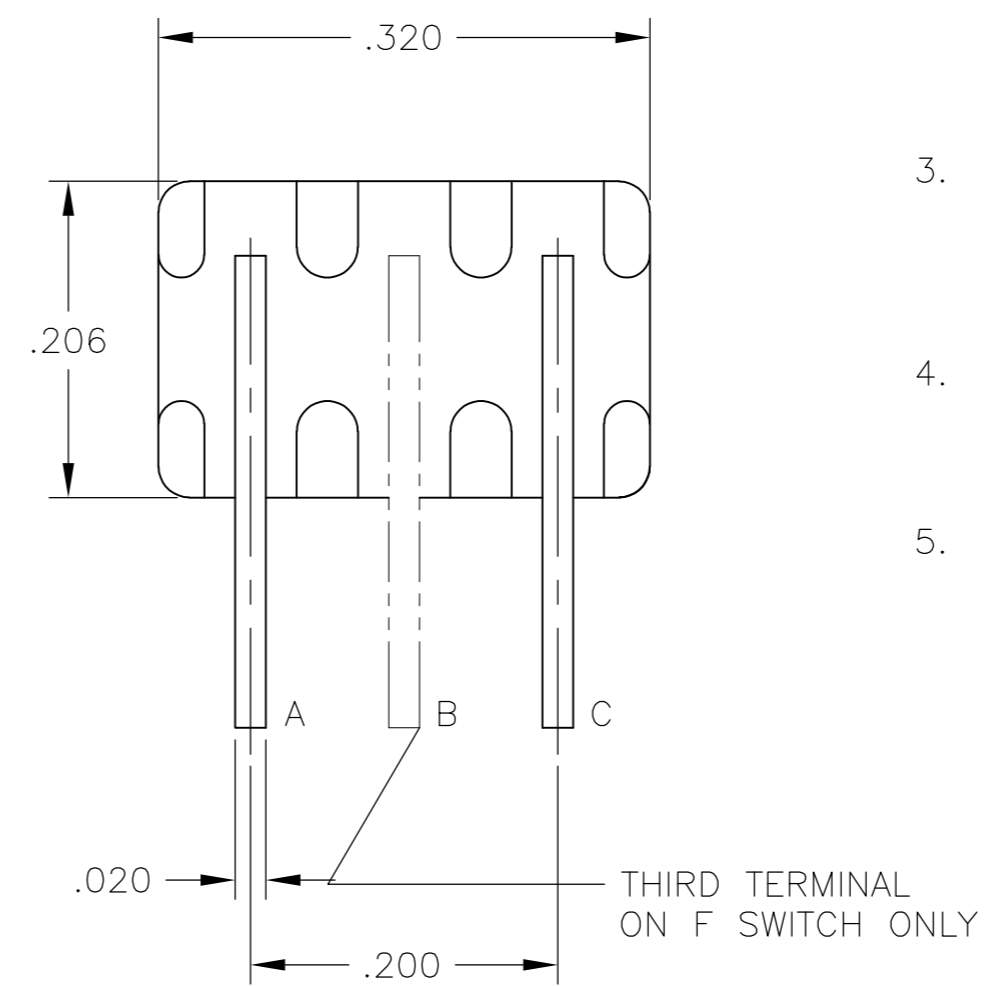
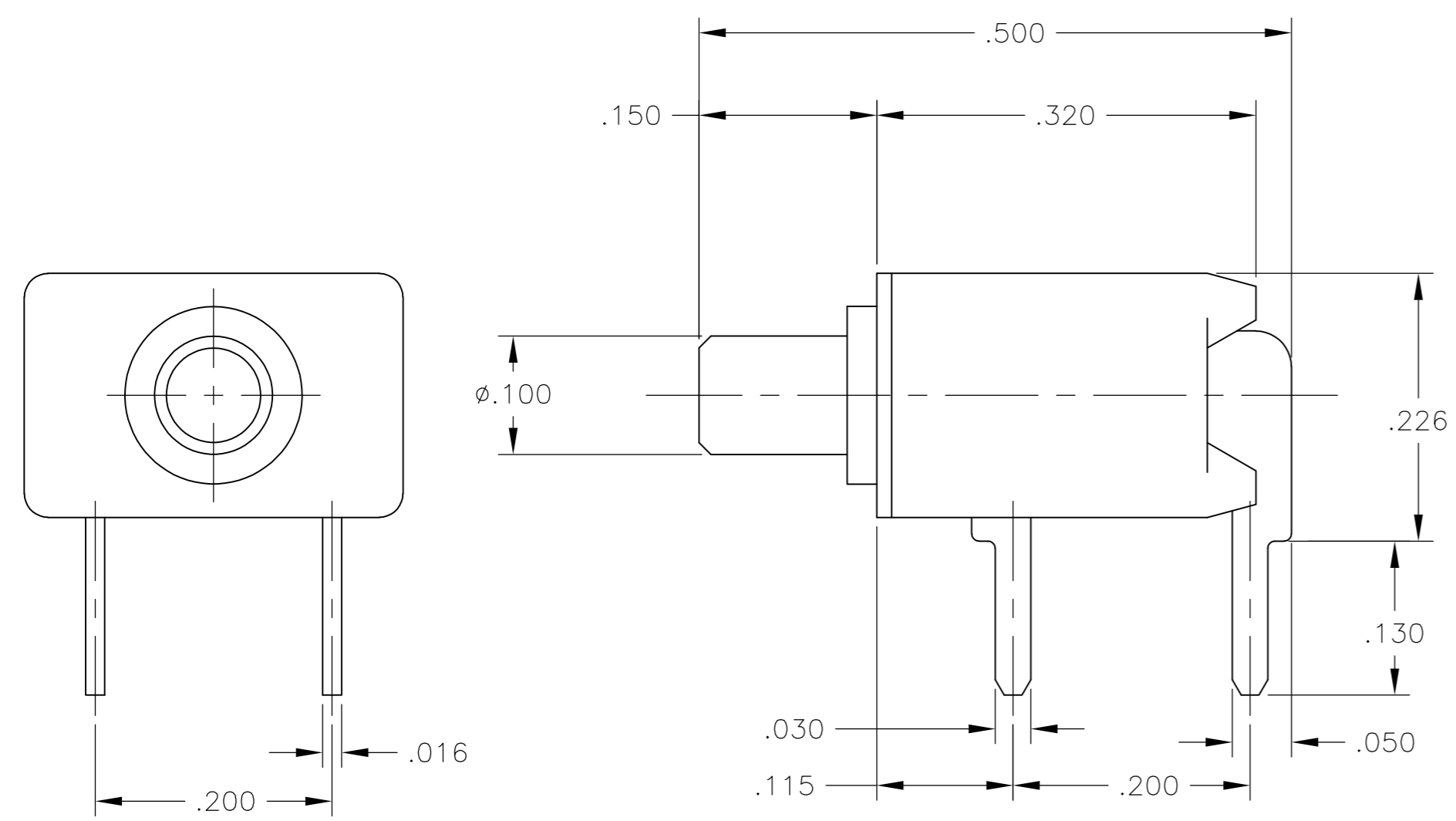


THIS DRAWING IS UNPUBLISHED. RELEASED FOR PUBLICATION  
 © COPYRIGHT - By - ALL RIGHTS RESERVED.

LOC	DIST	REVISIONS			
P	LTR	DESCRIPTION	DATE	DWN	APVD
AD	00	B1	REVISED PER ECO-11-005027	11MAR11	RK HMR

**NOTES:**

- MATERIALS:**  
 CASE: THERMOPLASTIC, UL94-V0.  
 ACTUATOR BUTTON: THERMOPLASTIC, COLORS: SEE CHART  
 MOVING CONTACT: COPPER ALLOY, GOLD PLATED  
 FIXED CONTACT: COPPER ALLOY, GOLD PLATED  
 TERMINALS: COPPER ALLOY, TIN-LEAD PLATED  
 TERMINAL SEAL: SP EPOXY
- ELECTRICAL:**  
 CONTACT RATING GOLD: 0.4 VA MAX @ 20 VDC OR PEAK AC  
 INITIAL CONTACT RESISTANCE: 20 MILLIOHMS MAX  
 INSULATION RESISTANCE: 1,000 MEGOHMS AT 500 VDC MIN.  
 DIELECTRIC STRENGTH: 1,000 VOLTS  
 LIFE EXPECTANCY: 1 POLE = 1000,000 CYCLES  
 2 POLES = 80,000 CYCLES.
- MECHANICAL:**  
 ACTUATION FORCE: SEE TABLE  
 ACTUATION TRAVEL: .030 APPROX.
- ENVIRONMENTAL:**  
 OPERATING TEMPERATURE: -22°F TO +149°F (-30°C TO +65°C)  
 STORAGE TEMPERATURE: -22°F TO +149°F (-30°C TO +65°C)
- INTERPRET DRAWING PER ASME Y14.5M-1984



12 oz [.34Kg]	BLUE	B TO C (MOM.)	B TO A	SPDT MOMENTARY	TPA11FGRA6	3-1437571-9
12 oz [.34Kg]	RED	B TO C (MOM.)	B TO A	SPDT MOMENTARY	TPA11FGRA2	3-1437571-8
12 oz [.34Kg]	BLACK	B TO C (MOM.)	B TO A	SPDT MOMENTARY	TPA11FGRA0	3-1437571-6
9 oz [.26Kg]	BLUE	A TO C	NONE	SPST NORMALLY OPEN	TPA11CGRA6	3-1437571-1
9 oz [.26Kg]	RED	A TO C	NONE	SPST NORMALLY OPEN	TPA11CGRA2	3-1437571-0
9 oz [.26Kg]	BLACK	A TO C	NONE	SPST NORMALLY OPEN	TPA11CGRA0	2-1437571-9
ACTUATION FORCE	BUTTON COLOR	DEPRESSED BUTTON	FREE BUTTON	ACTION	AUGAT PART NUMBER	PART NUMBER

THIS DRAWING IS A CONTROLLED DOCUMENT.

DWN	M.BINNER	13DEC2001
CHK	M.ZITTO	04DEC01
APVD	M.ZITTO	04DEC01
PRODUCT SPEC	-	
APPLICATION SPEC	-	
WEIGHT	-	-
CUSTOMER DRAWING	SCALE	8:1

TE Connectivity

TPA11CG/FG-RA, SWITCH, PUSH BUTTON

SIZE: A2 CAGE CODE: 00779 DRAWING NO: 2-1437571-9 RESTRICTED TO: -

SHEET 1 of 1 REV B1