



## PRODUCT DATASHEET

### Lena series

last update 14/5/2014

## DETAILS

<b>Product Number</b>	CN12367_LENA-FRESNEL
<b>Family</b>	Lena
<b>Type</b>	RefPack
<b>Color</b>	black
<b>Diameter</b>	111 mm
<b>Height</b>	87,7 mm
<b>Style</b>	round
<b>Optic Material</b>	PC
<b>Holder Material</b>	
<b>Fastening</b>	screw, socket
<b>Status</b>	production ready
<b>ROHS Compliant</b>	Yes
<b>Date Updated</b>	14/05/2014

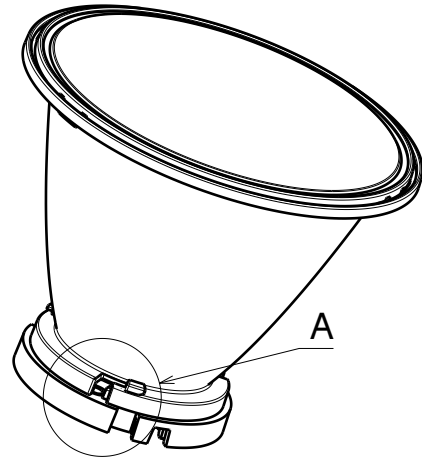
## OPTICAL PROPERTIES

LED	Viewing Angle	Light Beam	Effi- ciency	cd/lm	Connector
CL-L340	8 deg	Real spot	36 %	9.600	-

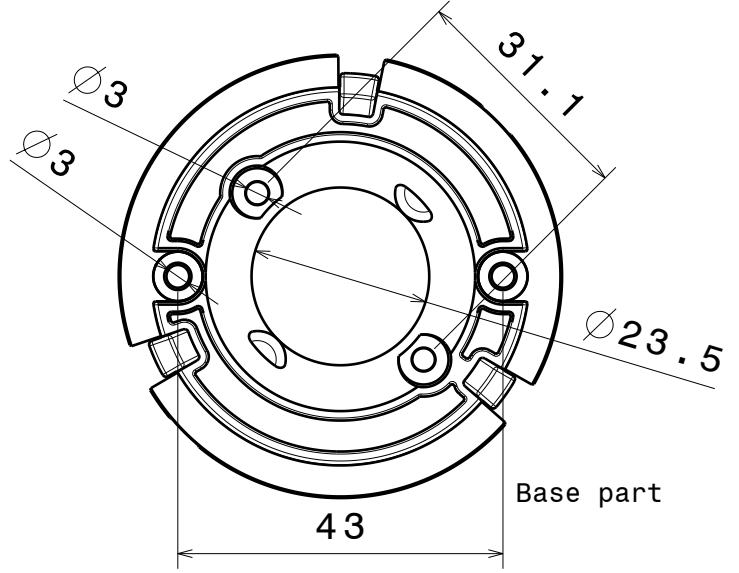


D C B A

4

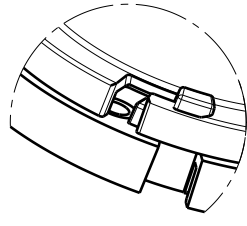


Isometric view



Base part

3

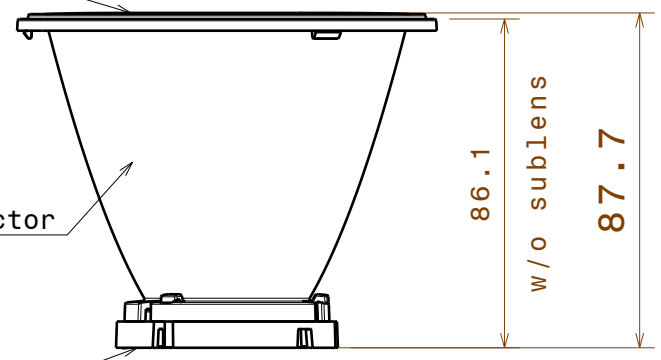


Detail A  
Scale: 1:1

Lena sublens

Lena reflector

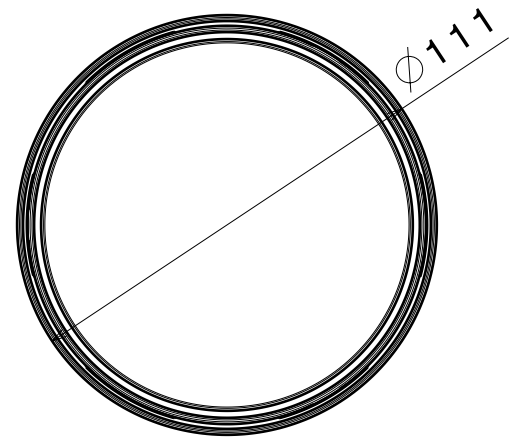
Lena-STD-base CL340



2

Material:

- subLens
  - PMMA
- Reflector
  - PC
  - Metal coating and clear lacquer
- Holder base
  - PC
  - Color white



4

3

2

This drawing is our property. It can't be reproduced or communicated without our written agreement.



DRAWING TITLE

Datasheet Lena-CL340 series Assy

1

DRAWN BY p	DATE 26.05.2011	DRAWING NUMBER			REV 1
CHECKED BY p	DATE 26.05.2011	SIZE A4	DRAWING NUMBER		REV 1
DESIGNED BY pl	DATE 11.02.2011	SCALE 1:2	WEIGHT (g)	SHEET 1/1	

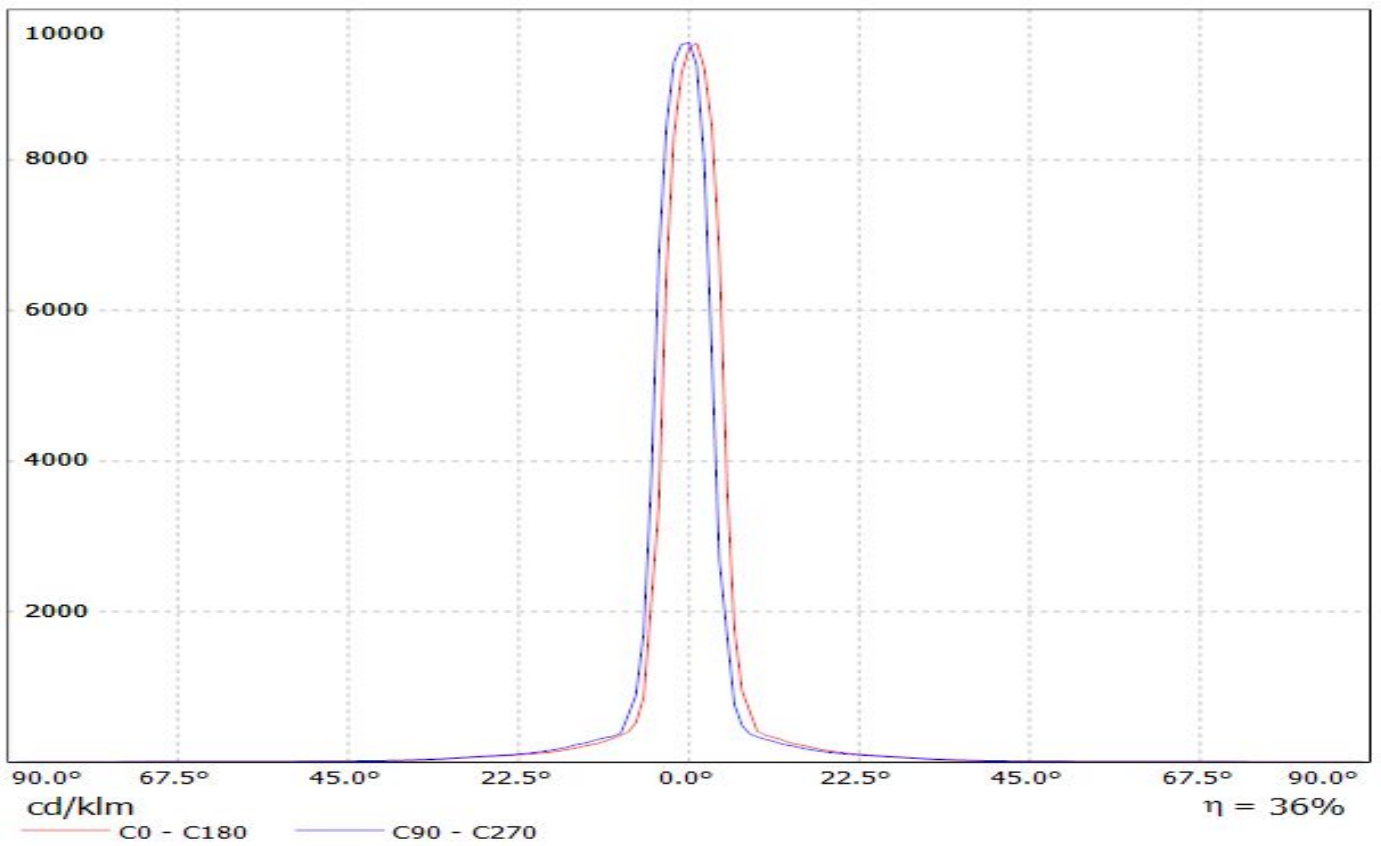
1

D

A

# LEDiL Oy CN12367\_LENA-FRESNEL-CL-L340 Eff.36.1% / LDC (Linear)

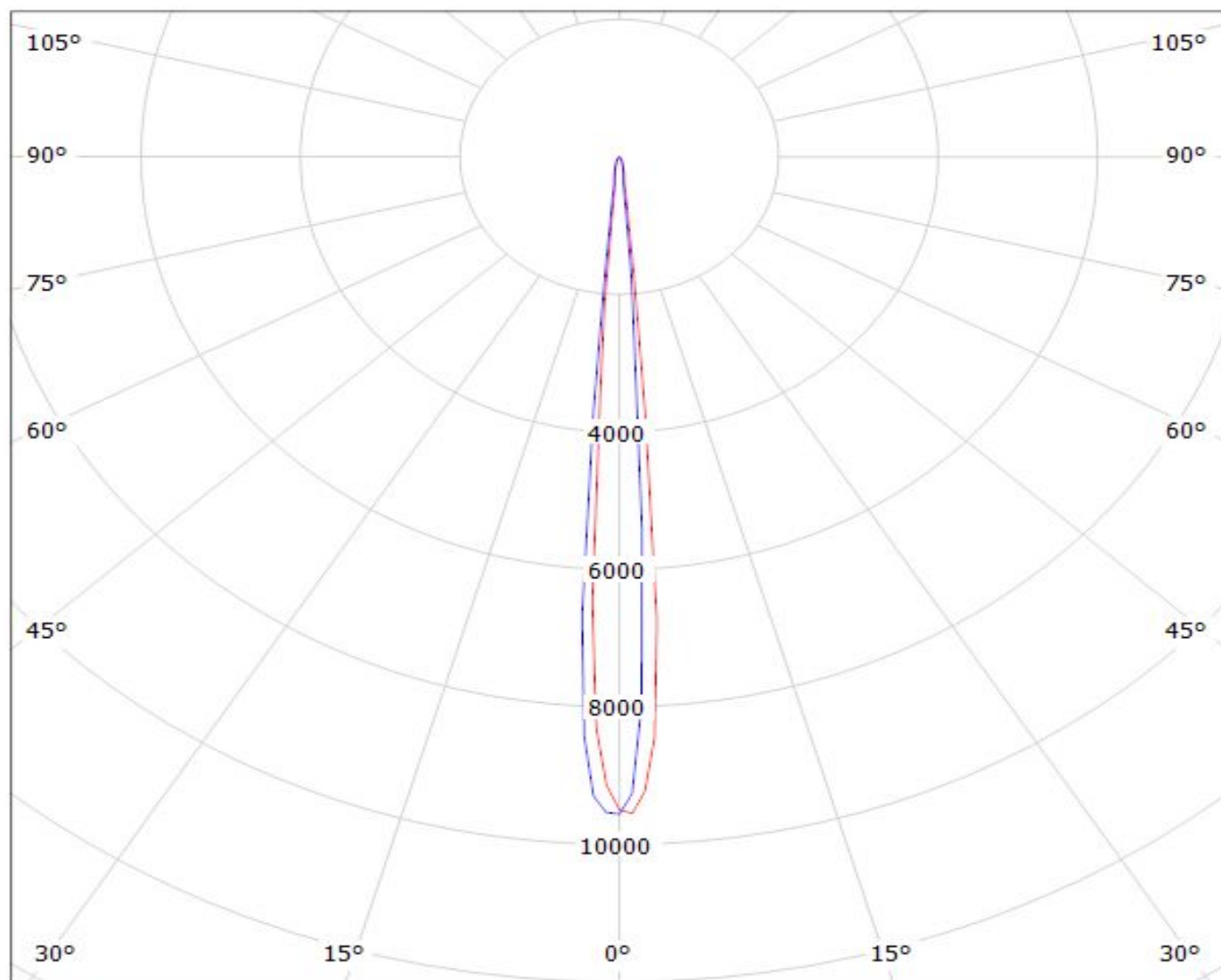
Luminaire: LEDiL Oy CN12367\_LENA-FRESNEL-CL-L340 Eff.36.1%  
Lamps: 1 x Citizen CL-340 (1151.01lm@250mA)



# LEDiL Oy CN12367\_LENA-FRESNEL-CL-L340 Eff.36.1% / LDC (Polar)

Luminaire: LEDiL Oy CN12367\_LENA-FRESNEL-CL-L340 Eff.36.1%

Lamps: 1 x Citizen CL-340 (1151.01lm@250mA)



cd/klm

— C0 - C180

— C90 - C270

$\eta = 36\%$

**NOTE: The typical divergence will be changed by different color, chip size and chip position tolerance. The typical total divergence is the full angle measured where the luminous intensity is half of the peak value.**