

**DESCRIPTION: 971 SERIES D-SUB BACKSHELL**

**BACKSHELL KIT INCLUDES:**

- (2) BACKSHELL HALVES
- (2) 4-40 THUMBSCREWS
- (2) HOUSING SCREWS
- (1) COMPRESSION RING - VARIOUS SIZES

**NOTE: 9 POSITION HAS ONLY 1 THUMBSCREW  
(OPPOSITE CABLE ENTRY)**

971-XXX-XXX-XX1

SERIES \_\_\_\_\_

POSITIONS \_\_\_\_\_

009  
015  
025  
037

MATERIAL \_\_\_\_\_

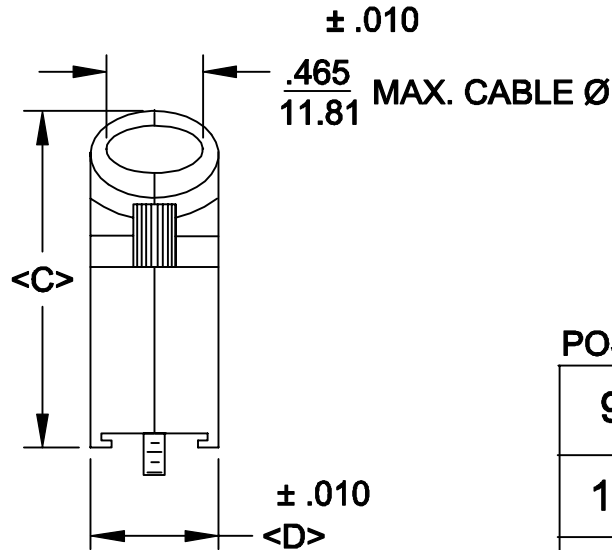
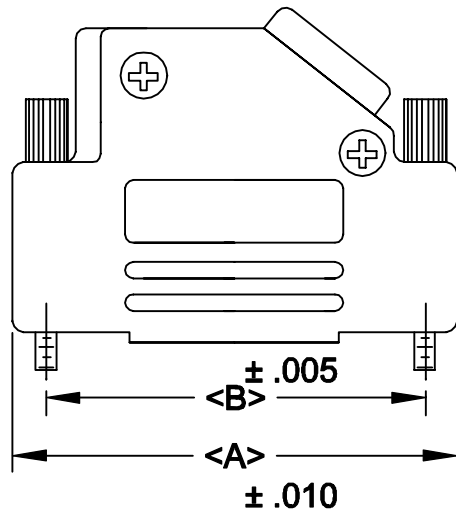
010 = PLASTIC  
020 = METALIZED PLASTIC  
030 = ZINC  
040 = DIE CAST(BLACK CHROMATE)

COLOR: \_\_\_\_\_

01 = BLACK  
12 = NICKEL OVER COPPER

PUT-UPS \_\_\_\_\_

1 = KIT



POS.	A	B	C	D
9	1.220	.984	1.496	.610
	30.99	24.99	38.00	15.50
15	1.595	1.312	1.618	.610
	40.51	33.32	41.10	15.50
25	2.114	1.852	1.646	.610
	53.70	47.04	41.81	15.50
37	2.748	2.500	1.646	.610
	69.80	63.50	41.81	15.50

**MATERIAL: DIE-CAST ZINC ALLOY  
PLATING: NICKEL OVER COPPER OR  
BLACK CHROMATE**

**METALIZED PLASTIC AND PLASTIC:  
HIGH TEMPERATURE ABS  
U.L.94HB (BLACK)**

	THESE DRAWINGS AND SPECIFICATIONS ARE THE PROPERTY OF NorComp AND SHALL NOT BE REPRODUCED, COPIED OR USED AS THE BASIS FOR THE MANUFACTURE OR SALE OF APPARATUS WITHOUT WRITTEN PERMISSION.		DRAWN: <b>PAM JENKINS</b>	DATE: <b>7-30-98</b>
			CHECKED:	DATE:
<b>NorComp</b>		SCALE	SHEET	OF
		DWG NO. <b>971-XXX-0X0-XX1</b>		REV <b>2</b>