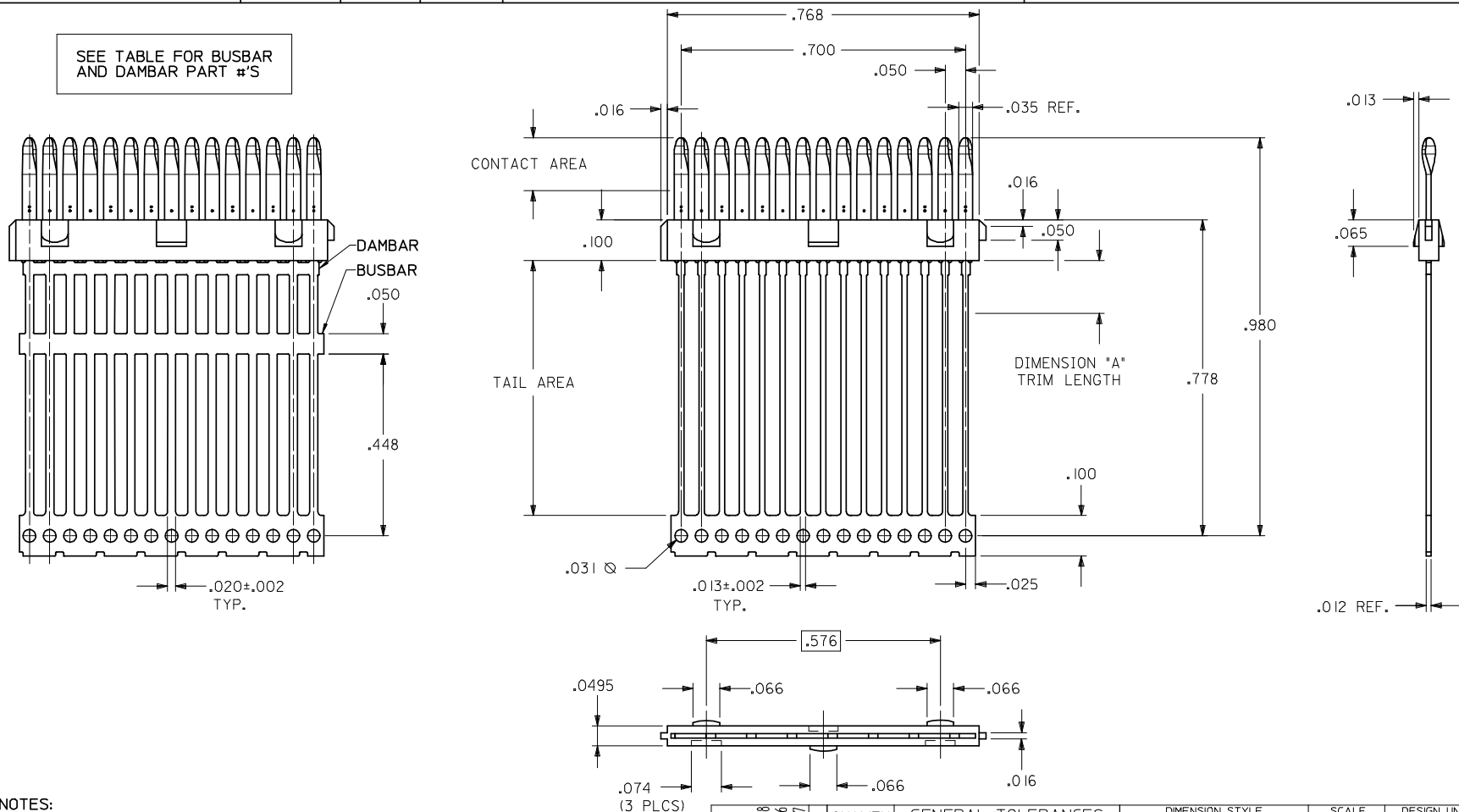


PART NUMBER	ENGINEERING NUMBER	DIMENSION "A"	BUSBAR OPTION	DAMBAR OPTION	PLATING	
					CONTACT AREA	TAIL AREA
					051-24-2021	70984-1001
051-24-2022	70984-1002	.130±.010	NO	NO	.000030/(0.00076) MINIMUM GOLD OVER A NICKEL UNDERPLATE	.000100/(0.00254) MINIMUM TIN OVER A NICKEL UNDERPLATE
70984-1007		N/A	YES	NO	.000050/(0.00127) MINIMUM NICKEL	
70984-1010		N/A	YES	NO	.000200/(0.00508) MINIMUM TIN OVER A NICKEL UNDERPLATE	
70984-1014		.130±.010	NO	YES	GOLD FLASH OVER A NICKEL UNDERPLATE	
70984-1005		N/A	YES	YES	.000050/(0.00127) MINIMUM NICKEL	
70984-1008		N/A	YES	YES	.000200/(0.00508) MINIMUM TIN OVER A NICKEL UNDERPLATE	
70984-1100		N/A	NO	YES	.000100/(0.00254) MINIMUM TIN OVER A NICKEL UNDERPLATE	
70984-1013		.130±.010	YES	NO	.000030/(0.00076) MINIMUM GOLD OVER A NICKEL UNDERPLATE	

SEE TABLE FOR BUSBAR AND DAMBAR PART #'S



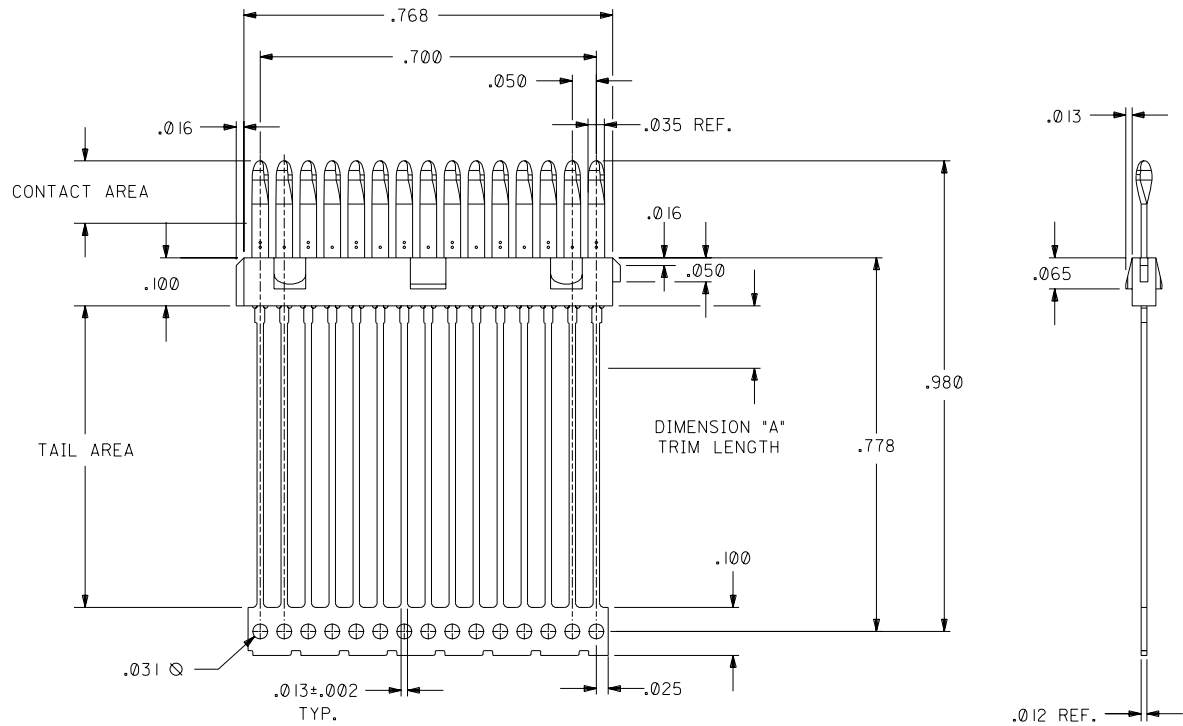
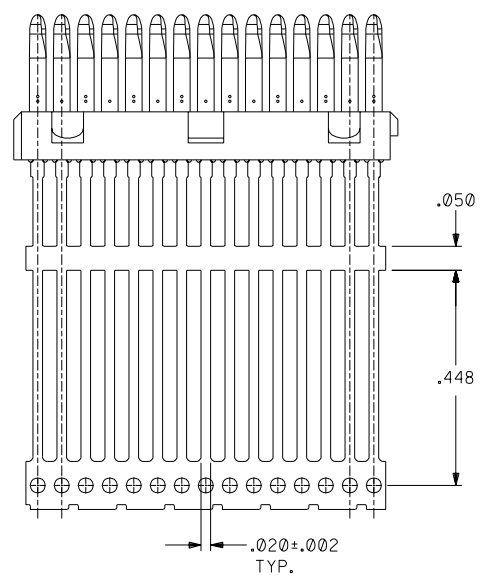
NOTES:

- 1) MATERIALS: INSULATOR - GLASS FILLED LIQUID CRYSTAL POLYMER (LCP), UL 94V-0, COLOR - BLACK
TERMINAL - PHOSPHOR BRONZE, .012 THICK.
- 2) FOR PART NUMBERS AND PLATING OPTIONS, SEE CHART.
- 3) PARTS CONFORM TO PRODUCT SPECIFICATION PS-70928.
- 4) PACKAGED PER PK-70873-0335 EXCEPT 70984-1100, PACKAGE PER PK-70873-0351.
- 5) PART COMPLIES WITH CLASS C OF COSMETIC SPECIFICATION PS-45499-002.

ADD -1005.08.1100.13 EC NO: UCP2008-2713 DRW:BSMART 2008/05/28 CHKD:DMORGAN 2008/06/26 APPR:SMILLER 2008/06/27	QUALITY SYMBOLS ▽=0 ▽=0	GENERAL TOLERANCES (UNLESS SPECIFIED)		DIMENSION STYLE IN/MM		SCALE	DESIGN UNITS INCH	THIRD ANGLE PROJECTION	
		mm	INCH	DRAWN BY	DATE	TITLE			
		4 PLACES ± ---	± ---	SCHMIDGALL	07/12/1993	15 CKT LFH PLUG INSERT MOLDED CONTACT ASSEMBLY - MANUFACTURING			
		3 PLACES ± 0.01	± ---	CHECKED BY	DATE	MOLEX INCORPORATED			
2 PLACES ± ---	± ---	MOS	07/12/1993	APPROVED BY		DATE	DOCUMENT NO.		
1 PLACE ± ---	± ---	CAB	07/12/1993	MATERIAL NO.		SEE TABLE		SHEET NO.	
ANGULAR ±1/2°		DRAFT WHERE APPLICABLE MUST REMAIN WITHIN DIMENSIONS		SIZE		SDA-70984-100		1 OF 1	
THIS DRAWING CONTAINS INFORMATION THAT IS PROPRIETARY TO MOLEX INCORPORATED AND SHOULD NOT BE USED WITHOUT WRITTEN PERMISSION									

PART NUMBER	ENGINEERING NUMBER	DIMENSION "A"	BUSBAR OPTION	PLATING	
				CONTACT AREA	TAIL AREA
051-24-2021	70984-1001	N/A	NO	.000030/(0.00076) MINIMUM GOLD OVER A NICKEL UNDERPLATE	.000100/(0.00254) MINIMUM TIN OVER A NICKEL UNDERPLATE
051-24-2022	70984-1002	.130±.010	NO	.000030/(0.00076) MINIMUM GOLD OVER A NICKEL UNDERPLATE	.000100/(0.00254) MINIMUM TIN OVER A NICKEL UNDERPLATE
70984-1007		N/A	YES	.000030/(0.00076) MINIMUM GOLD OVER A NICKEL UNDERPLATE	.000050/(0.00127) MINIMUM NICKEL
70984-1010		N/A	YES	.000030/(0.00076) MINIMUM GOLD OVER A NICKEL UNDERPLATE	.000200/(0.00508) MINIMUM TIN OVER A NICKEL UNDERPLATE
70984-1014		.130±.010	NO	GOLD FLASH OVER A NICKEL UNDERPLATE	

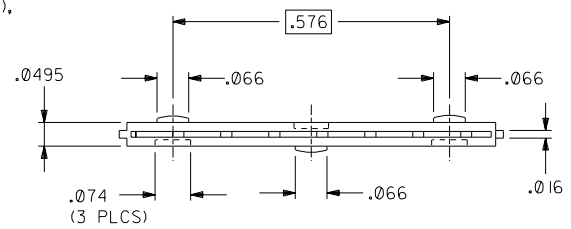
BUSBAR OPTION
(SEE CHART FOR PART #'S)



NOTES

- MATERIALS:
INSULATOR: GLASS FILLED LIQUID CRYSTAL POLYMER (LCP), UL 94V-0, COLOR: BLACK.
TERMINAL: PHOSPHOR BRONZE, .012 THICK.
PLATING: SEE CHART
- FOR PART NUMBERS AND PLATING OPTIONS, SEE CHART.
- PARTS CONFORM TO PRODUCT SPECIFICATION PS-70928.
- PACKAGED PER SPECIFICATION PK-70873-0335 APPLIES.

NOTE FOR LEAD FREE CONVERSION:
THE PRIMARY SHIPPING CARTON WILL BE LABELED "COMPLIANT TO ROHS DIRECTIVE 2002/95/EC AND ELV ANNEX II OF DIRECTIVE 2000/53/EC". CARTONS WITHOUT THIS LABEL MAY CONTAIN PRODUCT WITH LEAD.



F	LEADFREE ECN# UCP2004-1998 DMORGAN 04/04/14
E	ADD -1014 ASSY ECN UDT2002-0739 BBARKER 01/11/21
D	REVISED UDT2001-1316 SCHMIDGA 05/18/01
CI	REVISED PER ECN U6-1240 04/09/96 DRS
C	REVISED PER ECN U6-0746 1/30/95 MOS
B	ADDED PART NO. PER ECN U4-0497 04/20/94 MOS
AI	ADDED PART NO. PER ECN U3-1261 09/14/93 DRS
A	FIRST RELEASE PER ECN U3-1063 7.12.93 MOS

DIMENSIONS ARE IN INCHES

3 PLACE ± .010	INCH	METRIC
2 PLACE ± --- ± ---		
1 PLACE --- ± ---		

DRIFT WHERE APPLICABLE MUST REMAIN WITHIN DIMENSIONS

DRWG. BY: SCHMIDGALL	CHK'D. BY: MOS	SCALE: 5:1
APP'D. BY: CAB		

FILE NAME: 570984X1.DGN
DIV: CD

TITLE: 15ck+ LFH PLUG INSERT MOLDED CONTACT ASSEMBLY - SALES DETAIL

PART NO.: SEE CHART
SHEET NO.: 1 OF 1
DATE: 08/04/93

MOLEX INCORPORATED
LITSE, ILL. 60532 U.S.A.

THIS DRAWING CONTAINS INFORMATION THAT IS PROPRIETARY TO MOLEX INC. AND SHOULD NOT BE USED WITHOUT WRITTEN PERMISSION.

70984