

# Customer Information Sheet

DRAWING No.: S1721-XXR

SHEET 2 OF 2

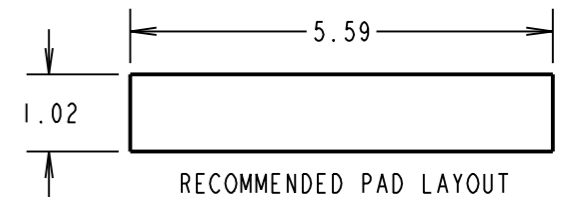
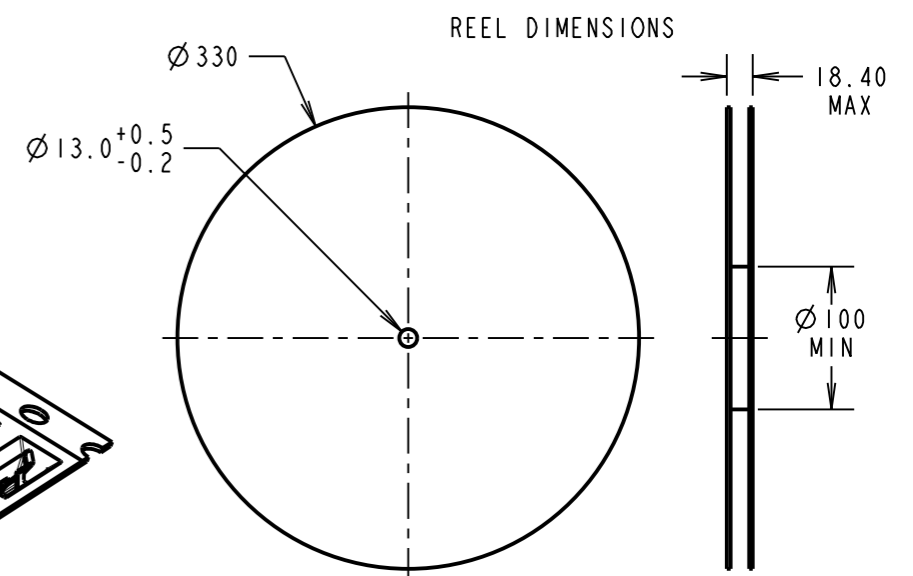
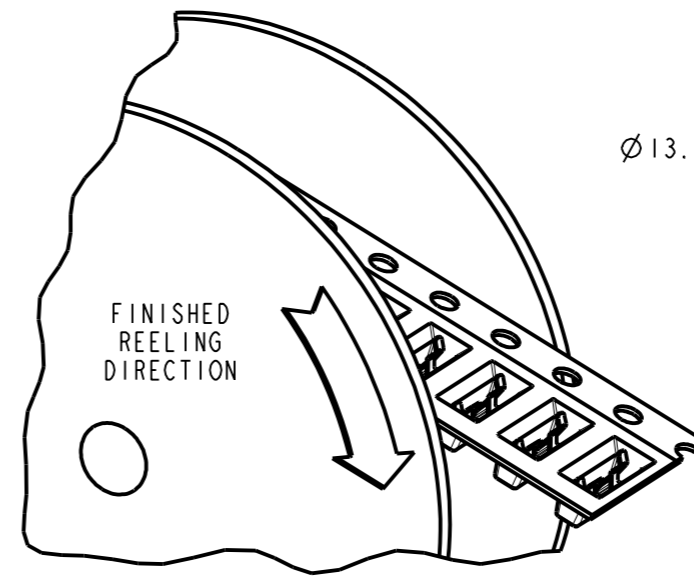
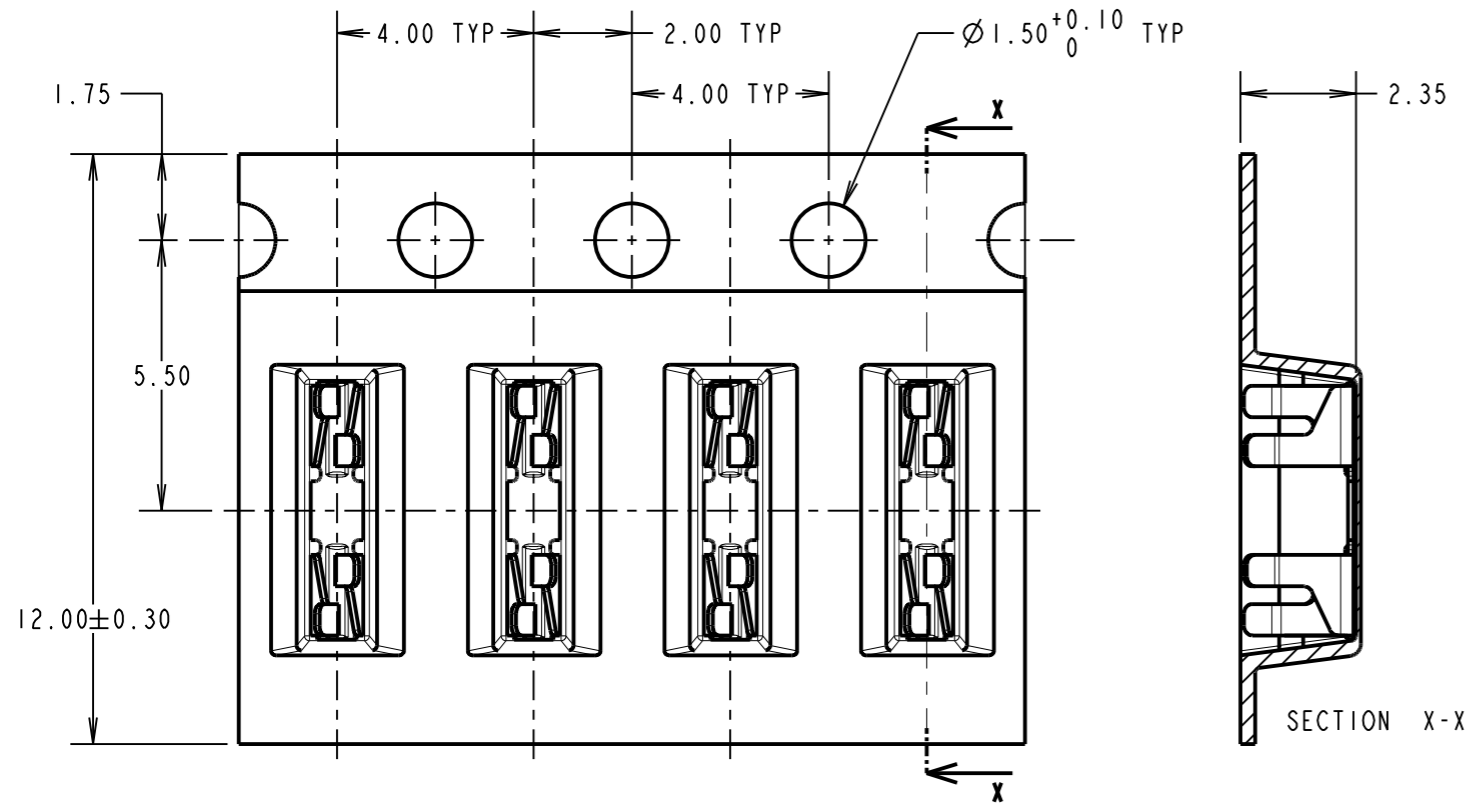
IF IN DOUBT - ASK

©

NOT TO SCALE

THIRD ANGLE PROJECTION

ALL DIMENSIONS IN mm



**NOTES:**

1. QUANTITY PER REEL = 5,000
2. THIS PRODUCT IS TAPED AND GENERALLY REELED IN ACCORDANCE WITH EIA-481 (ELECTRONIC INDUSTRIES ASSOCIATION).
3. FOR LOOSE VERSION, SEE DRAWING S1721-XX.

**COMPONENT SPECIFICATION:**

MATERIAL = BERYLLIUM COPPER

FINISH:

06 = 3µ 90/10 TIN/LEAD

46 = 3µ 100% TIN, OVER

2.0µ NICKEL

SHIELD THICKNESS = 0.13-0.23mm

ENVIRONMENTAL:

OPERATING TEMPERATURE = -40°C TO +125°C

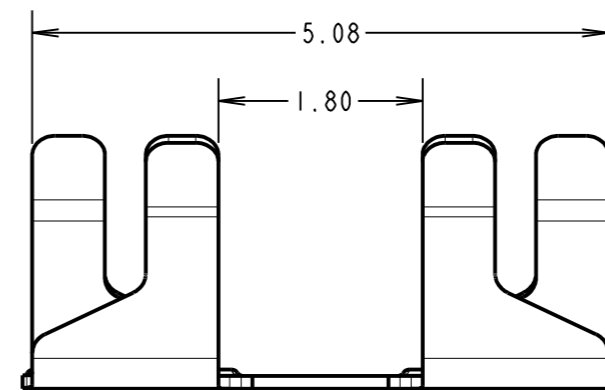
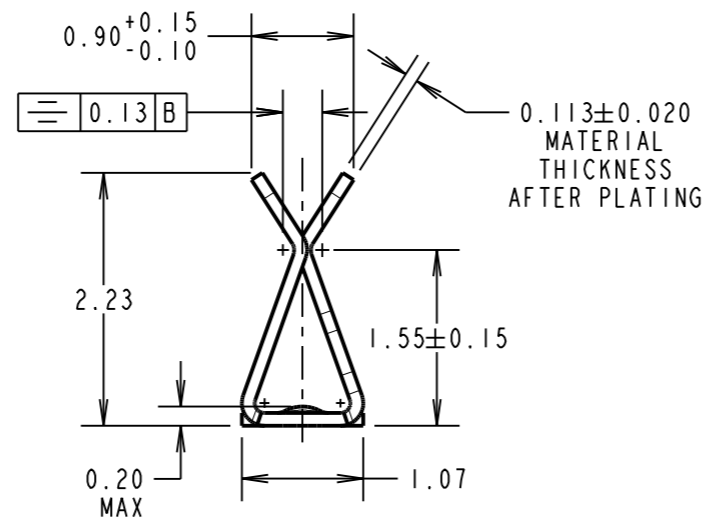
**PERFORMANCE SPECIFICATION:**

ENGAGEMENT FORCE = 5N MAX.

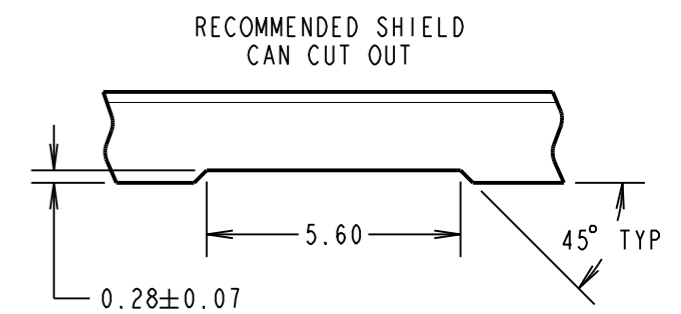
DISENGAGEMENT FORCE = 0.35N MIN.

DURABILITY = 15 ACTUATIONS MIN.

CONTACT RESISTANCE = 40mΩ MAX.

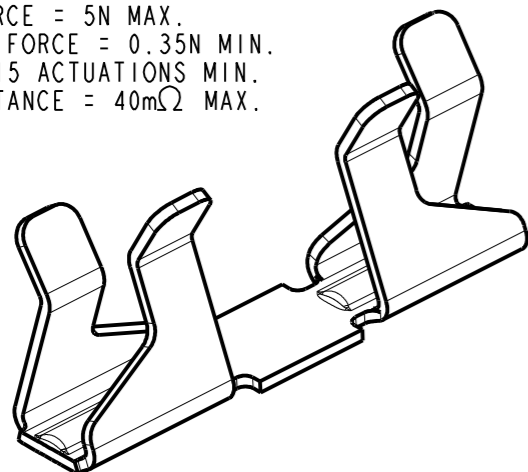
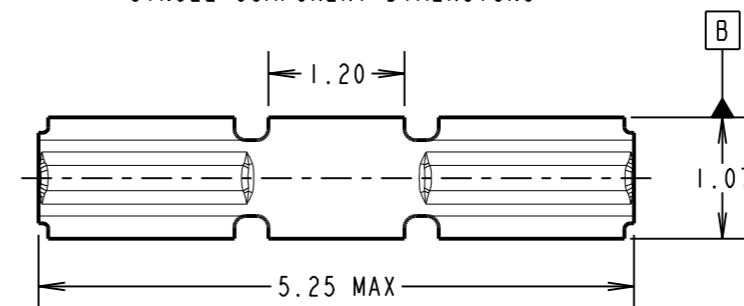


SINGLE COMPONENT DIMENSIONS



RECOMMENDED SHIELD CAN CUT OUT

ORDER CODE:	FINISH:
S1721-06R	TIN/LEAD
S1721-46R	100% TIN



MSP	9	16.10.15	13113
NAME	ISS.	DATE	C/NOTE
APPROVED: M.PERREN			
CHECKED: S.BENNETT			
DRAWN: M. G. PLESTED			
CUSTOMER REF.:			
ASSEMBLY DRG:			

**HARWIN**

www.harwin.com  
technical@harwin.com

THIS DRAWING AND ANY INFORMATION OR DESCRIPTIVE MATTER SET OUT HEREON ARE CONFIDENTIAL AND COPYRIGHT PROPERTY OF THE HARWIN GROUP AND MUST NOT BE DISCLOSED, LOANED, COPIED OR USED FOR MANUFACTURING, TENDERING OR FOR ANY OTHER PURPOSE WITHOUT THEIR WRITTEN PERMISSION.

**TOLERANCES**  
X. = ±1mm  
X.X = ±0.50mm  
X.XX = ±0.10mm  
X.XXX = ±0.01mm  
ANGLES = ±5°  
UNLESS STATED

**MATERIAL:**

SEE ABOVE

**FINISH:**

SEE ABOVE

**S/AREA:**

mm<sup>2</sup>

**TITLE:**

MINI SMT RFI SHIELD CLIP  
IN TAPE AND REEL

**DRAWING NUMBER:**

S1721-XXR

SHT  
2 OF  
2