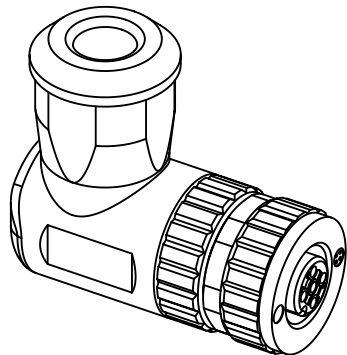



conductor cross section	1.5mm ² max. AWG16
cable outside diameter	4 - 8mm



	All Dimensions in mm Original Size DIN A4		Scale 2:1	Free size tol.		Ref.	
	All rights reserved Department EC PD - DE		Created by EISFELD	Inspected by WELLMANN	Standardisation KOHLER	Date 2015-05-11	State Final Release
HARTING Electronics GmbH D-32339 Espelkamp		Title HARTING M12 screw angled 4-pole A-coded female				Doc-Key / ECM-Nr. 100619631/UGD/000/A 500000088343	
		Type TB	Number 21033194401			Rev. A	Page 1/1