

Connectors - QP 1,5/ 1-L BU - 3051027

Please be informed that the data shown in this PDF Document is generated from our Online Catalog. Please find the complete data in the user's documentation. Our General Terms of Use for Downloads are valid (<http://download.phoenixcontact.com>)



Connectors, Connection method: Quick connection, Number of positions: 1, Cross section: 0.25 mm² - 1.5 mm², AWG: 24 - 16, Width: 5.2 mm, Height: 40 mm, Color: blue

Illustration shows various versions of the product (left, center and right element) in different color combinations

Product description

Connector element left, left housing without engagement pin, right opened without cover

Why buy this product

- The QT-COMBI plugs for self-assembly provide solutions that users can implement themselves
- The conductor is connected using the familiar IDC connection with no stripping, therefore saving time
- The QP 1,5/... fast connector plug is designed for the connection of solid and stranded conductors



Key commercial data

Packing unit	0
Minimum order quantity	1
Catalog page	Page 345 (CL1-2011)
GTIN	 4 046356 082877
Custom tariff number	85366990
Country of origin	POLAND

Technical data

Dimensions

Width	5.2 mm
Length	20 mm
Height	40 mm

Technical data

Maximum load current	17.5 A (with 1.5 mm ² conductor cross section)
Rated surge voltage	6 kV
Pollution degree	3

Connectors - QP 1,5/ 1-L BU - 3051027

Technical data

Technical data

Surge voltage category	III
Insulating material group	I
Connection in acc. with standard	IEC 61984
Nominal current I_N	17.5 A
Nominal voltage U_N	500 V
Number of positions	1

Connection data

Conductor cross section solid min.	0.25 mm ²
Conductor cross section solid max.	1.5 mm ²
Conductor cross section AWG/kcmil min.	24
Conductor cross section AWG/kcmil max	16
Conductor cross section stranded min.	0.25 mm ²
Conductor cross section stranded max.	1.5 mm ²
Min. conductor AWG cross section, stranded	24
Max. AWG conductor cross section, stranded	16
Connection method	Quick connection
Material wire insulation	PVC / PE
Structure of individual litz in acc. with VDE 0295 / smallest wire diameter	VDE 0295 Cl.1-5

Classifications

ETIM

ETIM 2.0	EC000897
ETIM 3.0	EC000897
ETIM 4.0	EC001121
ETIM 5.0	EC001121

UNSPSC

UNSPSC 11	39121402
UNSPSC 12.01	39121402
UNSPSC 13.2	39121402
UNSPSC 6.01	30211802
UNSPSC 7.0901	39121402

eCl@ss

eCl@ss 4.0	272607xx
eCl@ss 4.1	27260701
eCl@ss 5.0	27260701
eCl@ss 5.1	27260701
eCl@ss 6.0	27141120
eCl@ss 7.0	27141120

Connectors - QP 1,5/ 1-L BU - 3051027

Approvals

Approvals


Approvals


CSA / UL Recognized / cUL Recognized / GL / cULus Recognized


Ex Approvals

Approvals submitted

Approval details

CSA 			
	B	C	D
mm ² /AWG/kcmil	24-16	24-16	24-16
Nominal current IN	10 A	10 A	5 A
Nominal voltage UN	300 V	300 V	600 V

UL Recognized 			
	B	C	D
mm ² /AWG/kcmil	24-16	24-16	24-16
Nominal current IN	10 A	10 A	5 A
Nominal voltage UN	600 V	300 V	600 V

cUL Recognized 			
	B	C	D
mm ² /AWG/kcmil	24-12	24-12	24-12
Nominal current IN	10 A	10 A	5 A
Nominal voltage UN	600 V	300 V	600 V

GL

cULus Recognized 
--

Connectors - QP 1,5/ 1-L BU - 3051027

Accessories

Accessories

Plug/Adapter

Reducing plug - RPS - 0201647



Reducing plug, Color: gray

Test plugs - MPS-MT - 0201744



Test plugs

Insulating sleeve - MPS-IH WH - 0201663



Insulating sleeve, Color: white

Insulating sleeve - MPS-IH RD - 0201676



Insulating sleeve, Color: red

Insulating sleeve - MPS-IH BU - 0201689



Insulating sleeve, Color: blue

Connectors - QP 1,5/ 1-L BU - 3051027

Accessories

Insulating sleeve - MPS-IH YE - 0201692



Insulating sleeve, Color: yellow

Insulating sleeve - MPS-IH GN - 0201702



Insulating sleeve, Color: green

Insulating sleeve - MPS-IH GY - 0201728



Insulating sleeve, Color: gray

Insulating sleeve - MPS-IH BK - 0201731



Insulating sleeve, Color: black

Test plugs - PS-5/2,3MM RD - 3038723



Test plugs, Color: red

Test plugs - PS-6/2,3MM RD - 3038736



Test plugs, Color: red

Connectors - QP 1,5/ 1-L BU - 3051027

Accessories

Test adapter - PS-5 - 3030983



Test adapter, Color: red

Spacer plate - DP PS-5 - 3036725



Spacer plate, Color: red

Tools

Screwdriver - SZF 1-0,6X3,5 - 1204517



Actuation tool, for ST terminal blocks, also suitable for use as a bladed screwdriver, size: 0.6 x 3.5 x 100 mm, 2-component grip, with non-slip grip

Test adapter - PS-8/2,3MM RD - 3048564

Test adapter, Color: red

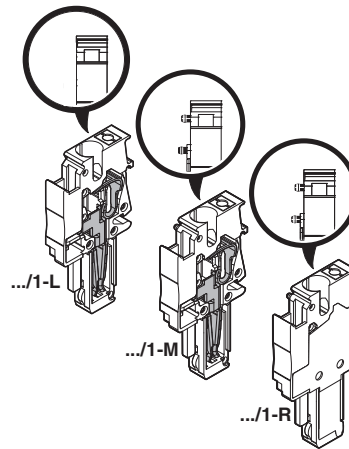
Drawings

Connectors - QP 1,5/ 1-L BU - 3051027

Circuit diagram



Schematic diagram



© Phoenix Contact 2012 - all rights reserved
<http://www.phoenixcontact.com>