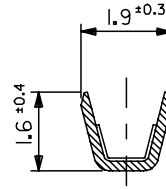
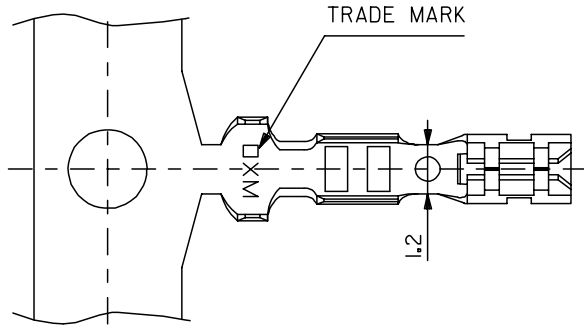
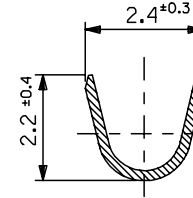


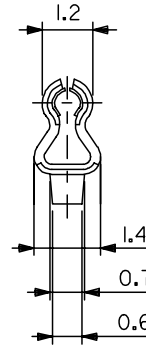
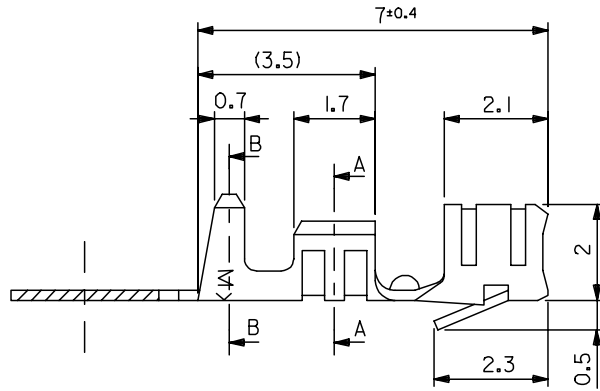
10 9 8 7 6 5 4 3 2 1



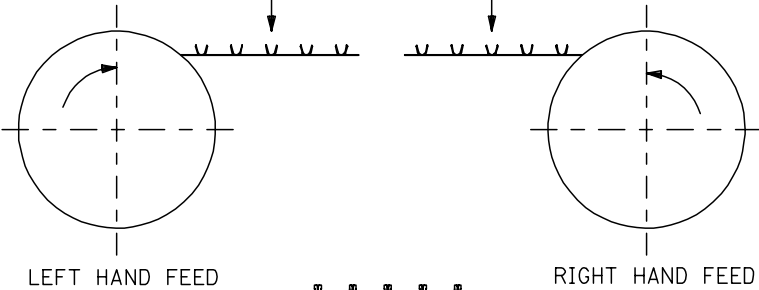
SECT. A-A



SECT. B-B

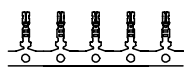


- NOTE
- 1.MATERIAL : PHOSPHOR BRONZE
 - 2.FINISH:TIN PLATING UNDER NICKEL PLATING WITH LUBRICANT TREATMENT
 - 3.SUITABLE HOUSING : 5264SERIES
 - 4.WIRE RENG# AWG #22-28(0.33 - 0.08mm²)
 - 5.INSULATION RANGE;∅ 1.15 - ∅ 1.9



LEFT HAND FEED

RIGHT HAND FEED



VIEW C

SEE NOTE 2.(BRIGHT)	LEFT HAND	08-70-1048	5263PBTB	CHAIN
SEE NOTE 2.	LEFT HAND	08-70-1047	5263PBTT	CHAIN
FINISH	FEED TYPE	EDP NO.	ENG. NO.	FORM

REVISED EC NO: J2007-0263 DRWN: A0YAGI 2006/08/01 CHKDK: TOYODA 2006/08/02 APPR: NUKITA 2006/08/04	GENERAL TOLERANCES (UNLESS SPECIFIED)		DIMENSION STYLE MM ONLY	SCALE 10:1	DESIGN UNITS METRIC	THIRD ANGLE PROJECTION
	10 UNDER	± 0.2	DRAWN BY K. TOYODA	DATE '05/07/08	TITLE 2.5 LOW PROFILE CRIMP RECEPTACLE WITH LUBRICANT	
	10 OVER 30 UNDER	± 0.25	CHECKED BY N. UKITA	DATE '05/07/08	MOLEX INCORPORATED	
	30 OVER	± 0.3	APPROVED BY N. UKITA	DATE '05/07/08	DOCUMENT NO. SD-5263-001	SHEET NO. 1 OF 1
A	DESCRIPTION	ANGULAR ±3 °	MATERIAL NO. SEE CHART	DRAFT WHERE APPLICABLE MUST REMAIN WITHIN DIMENSIONS		
SIZE A3			THIS DRAWING CONTAINS INFORMATION THAT IS PROPRIETARY TO MOLEX INCORPORATED AND SHOULD NOT BE USED WITHOUT WRITTEN PERMISSION			