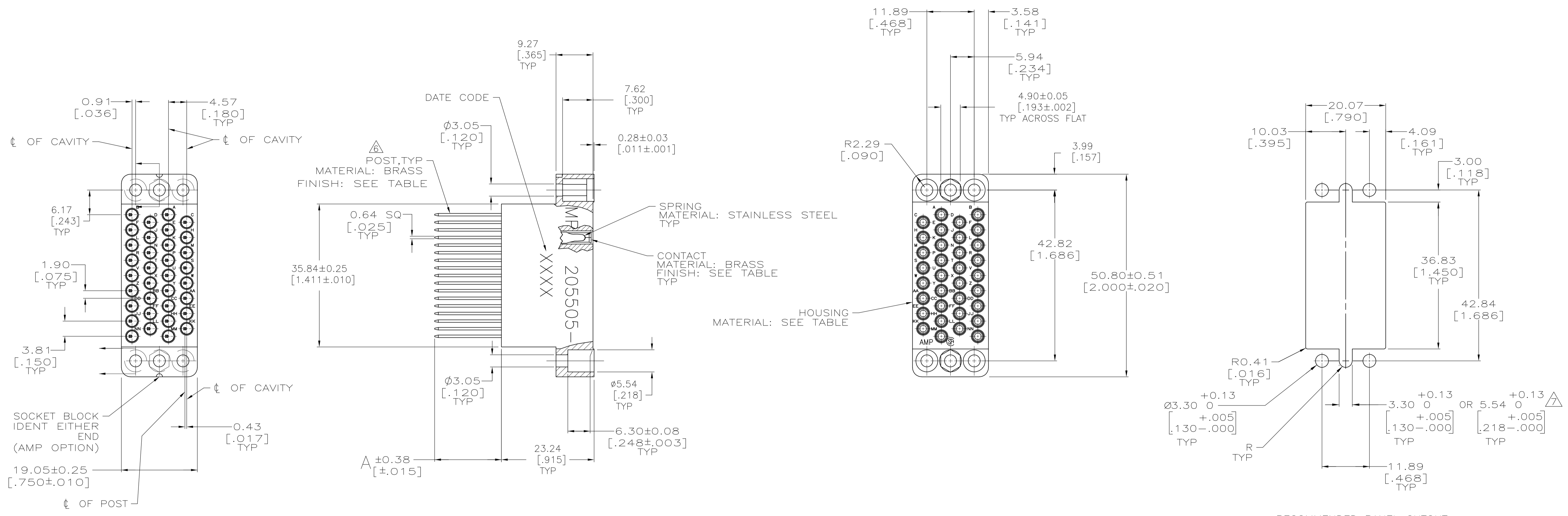


LOC	DIST	REVISIONS			
FT	0	REV	DESCRIPTION	DATE	BY
		V	REVISED PER 063B-0095-05	4/1/05	SS GS
		V1	REVISED PER ECO-09-020935	09SEP09	KK AEG



- △ PHENOLIC, BLACK.
- △ DIALLYL PHTHALATE, BLUE.
- △ EACH POST WILL ACCEPT (SEE TABLE) TERMINATIONS OF #24 AWG MAX WIRE.
- △ 0.76µm[.000030] MIN GOLD ON MATING END FOR A LENGTH OF 5.08[.200] MIN. GOLD FLASH ON THE REMAINDER OVER 0.76µm [.000030] MIN NICKEL.
- △ 2.54µm [.000100] MIN TIN-LEAD OVER 2.54µm [.000100] MIN NICKEL.
- △ POSTS ARE SEMI-AUTOMATICALLY WIRABLE.
- △ 5.54[.218] IS REQUIRED WHEN JACKSCREWS ARE USED.
- △ 2.54µm [.000100] MIN TIN OVER 2.54µm [.000100] MIN NICKEL.
- △ 2.54µm [.000100] MIN TIN OVER 1.27µm [.000050] MIN NICKEL.
- △ OBSOLETE PARTS: OBSOLETE CIS STREAMLINING PER D.RENAUD/D.SINISI

△10	OBSELETE	△8	△9	△1	1	6.63 [.261]	6-205505-4
△10	OBSELETE	△8	△4	△1	1	6.63 [.261]	6-205505-3
		△8	△4	△1	3	16.74 [.659]	6-205505-2
	OBSELETE	△5	△4	△2	3	16.74 [.659]	4-205505-6
△10	OBSELETE	△5	△5	△1	1	6.63 [.261]	3-205505-3
△10	OBSELETE	△5	△4	△1	1	6.63 [.261]	3-205505-1
		△5	△4	△1	3	16.74 [.659]	205505-1
	POST FINISH	CONTACT FINISH	HOUSING	NO OF TERM	A	PART NUMBER	

THIS DRAWING IS A CONTROLLED DOCUMENT. DWN: C.OBERMAN 13 OCT 97  
 CHK: R.STONE 30 SEP 97  
 APVD: G.STEINHÄUER 31 OCT 97

TOLERANCES UNLESS OTHERWISE SPECIFIED:  
 0 PLC ± -  
 1 PLC ± -  
 2 PLC ± 0.13 [.005]  
 3 PLC ± -  
 4 PLC ± -  
 ANGLES ± -

APPROVED: G.STEINHÄUER  
 PRODUCT SPEC  
 APPLICATION SPEC

SIZE: A1 CAGE CODE: 00779 DRAWING NO: 00779-0205505  
 WEIGHT: -

RESTRICTED TO: -  
 CUSTOMER DRAWING SCALE: 2:1 SHEET: 1 OF 1 REV: V1

Tyco Electronics Corporation  
 Harrisburg, Pa 17105-3608

CONNECTOR ASSEMBLY,  
 POSTED SOCKET, 34 POSITION,  
 M SERIES